

# Operating Instructions

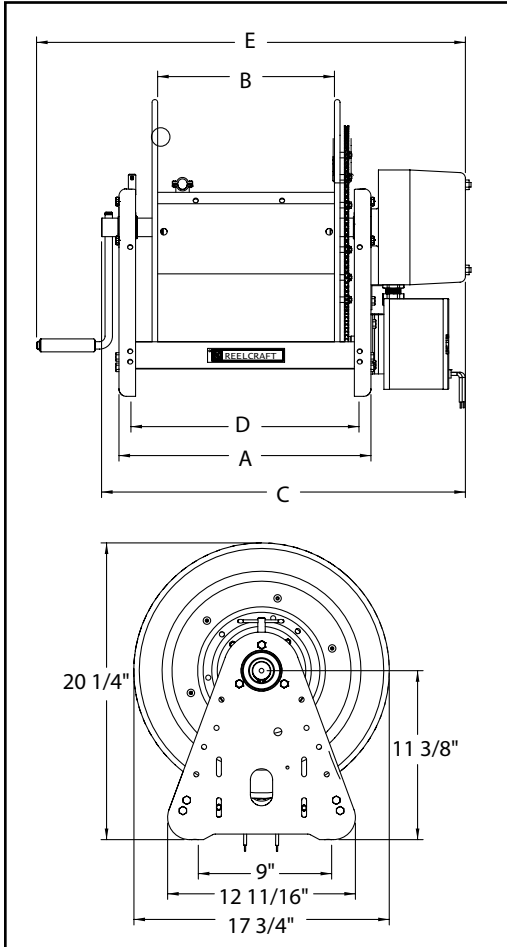
## Series L 30000 Cable Reels

Model Numbers:

LC312 103	LE312 103 12D	LB312 103
LC312 123	LE312 123 12D	LB312 123



### Dimensions



Part Number	A	B	C	D	E
LC312 103	17"	12"	X	15 <sup>3</sup> / <sub>4</sub> "	30 <sup>1</sup> / <sub>4</sub> "
LC312 123	17"	12"	X	15 <sup>3</sup> / <sub>4</sub> "	30 <sup>1</sup> / <sub>4</sub> "
LE312 103 12D	17"	12"	24 <sup>1</sup> / <sub>2</sub> "	15 <sup>3</sup> / <sub>4</sub> "	X
LE312 123 1D	17"	12"	24 <sup>1</sup> / <sub>2</sub> "	15 <sup>3</sup> / <sub>4</sub> "	X
LB312 103	17"	12"	X	15 <sup>3</sup> / <sub>4</sub> "	29 <sup>1</sup> / <sub>4</sub> "
LB312 123	17"	12"	X	15 <sup>3</sup> / <sub>4</sub> "	29 <sup>1</sup> / <sub>4</sub> "

Four 1/2" diameter mounting holes

### IMPORTANT

Read this manual carefully before installing, operating or servicing this equipment.

### Safety

Injury and/or equipment damage may result if proper safety precautions are not observed.

- Ensure that only a qualified electrician installs/services this equipment.
- Ensure that power supply voltage does not exceed maximum voltage rating of reel.
- Ensure that reel is properly installed before connecting to power supply.
- Ensure that all electrical power is removed from reel before servicing.
- Check for frayed/broken wires before each use.
- Pull electrical cord from reel by grasping the electrical cord itself, not the work device.
- If an electrical malfunction should occur, remove power from reel immediately.
- Ensure that reel, electrical cable, and equipment being serviced are properly grounded. Use an ohmmeter to check ground continuity.
- If reel ceases to unwind or rewind, remove power immediately. Do not pull or jerk on electrical cable
- Treat and respect the hose reel as any other piece of machinery, observing all common safety practices.

### WARNING:

This reel is to be used for cable storage only! The entire length of cable must be unwound before use. Severe damage to the reel will result if the cable is energized while fully wound on the reel.

### WARNING:

Even low voltage can cause irreparable damage or death! Exercise extreme caution while operating or servicing this equipment.

Form# 1175-1005 Rev: 5/2013

**Inspection**

Unpack and inspect reel for damage. Turn the reel by hand to check for smooth operation. Check for completeness.

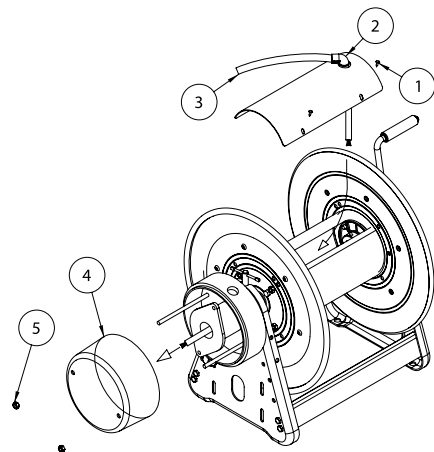
**Mounting of all Hose Reels**

**NOTE:** Ensure that mounting surface is flat to prevent binding on reel after it is mounted.

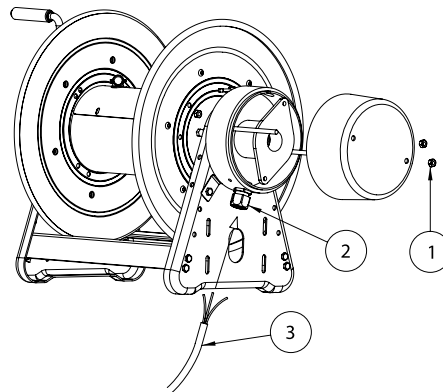
1. Two 1/2" diameter mounting holes are located at the base of each side support panel (2 each). Mount reel using four (customer supplied) bolts' tightening them securely to ensure a solid, rigid attachment.

**Installation Instructions**

Ensure that only a qualified electrician install/services this equipment. Observe applicable NEC, OSHA, and local codes when installing this equipment.



**NOTE:** make center harness connections as short as possible to prevent rubbing on slip ring cover.



**Installing the Inlet Cable**

1. Remove the 2 nuts holding collector ring cover (1).
2. Feed inlet cord thru grommet (2) in collector ring base approximately 6-8". Tighten grommet.
3. Slide protective sleeve over each inlet wire.
4. Attach supplied knife disconnects to inlet wires (3) & crimp.
5. Make knife connection & slide protective sleeve over knife connections.

**Power Driven Reels**

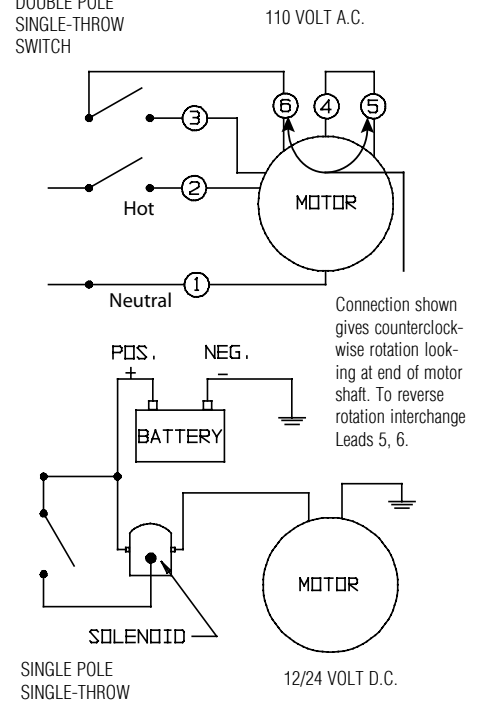
**CAUTION:** Remove all electrical power when wiring. Do not hot-wire. Observe all applicable NEC/OSHA requirements.

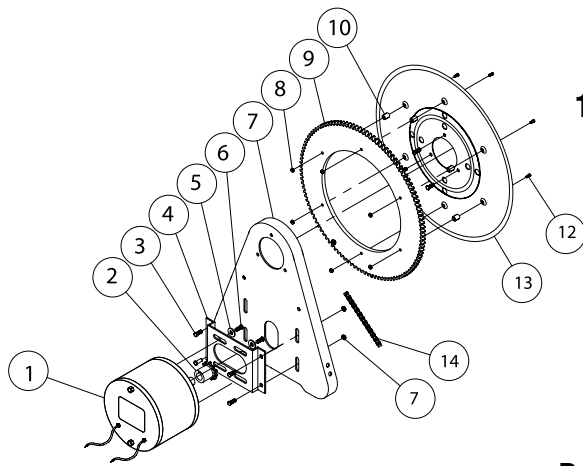
1. Ensure that supply and motor voltage ratings are compatible.
2. Consult wiring diagrams and determine which one is applicable to your reel.
3. Perform electrical wiring following applicable diagram.

**Installing the Output Cable**

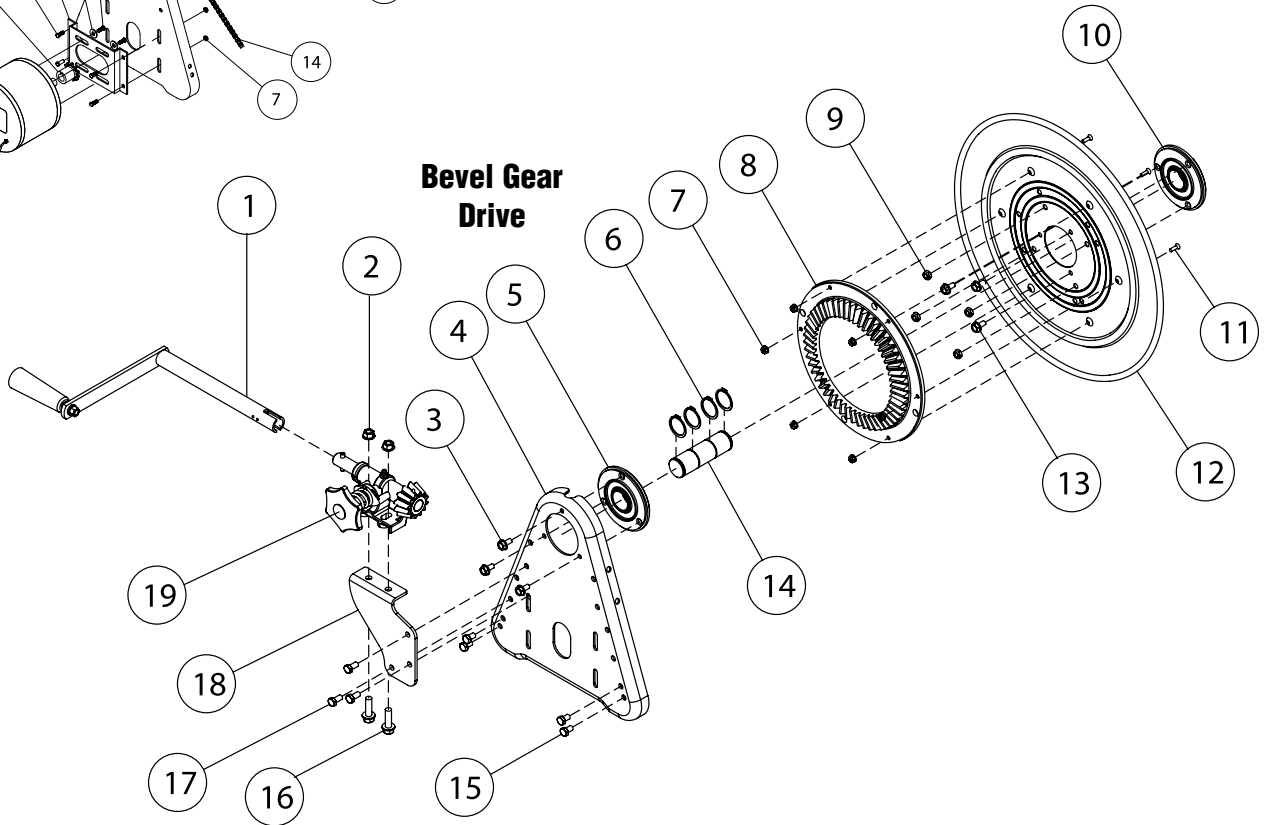
1. Remove the 4 screws holding spool cover (1).
2. Loosen screws on 90° strain relief (2) and feed approximately 18" thru. Tighten screws.
3. Feed cord thru shaft and replace spool cover.
4. Connect output wire (3) to collector ring wire leads per NEC recommendations. (Not knife disconnects).
5. Replace collector ring cover (4) and tighten nuts (5).

DOUBLE POLE SINGLE-THROW SWITCH





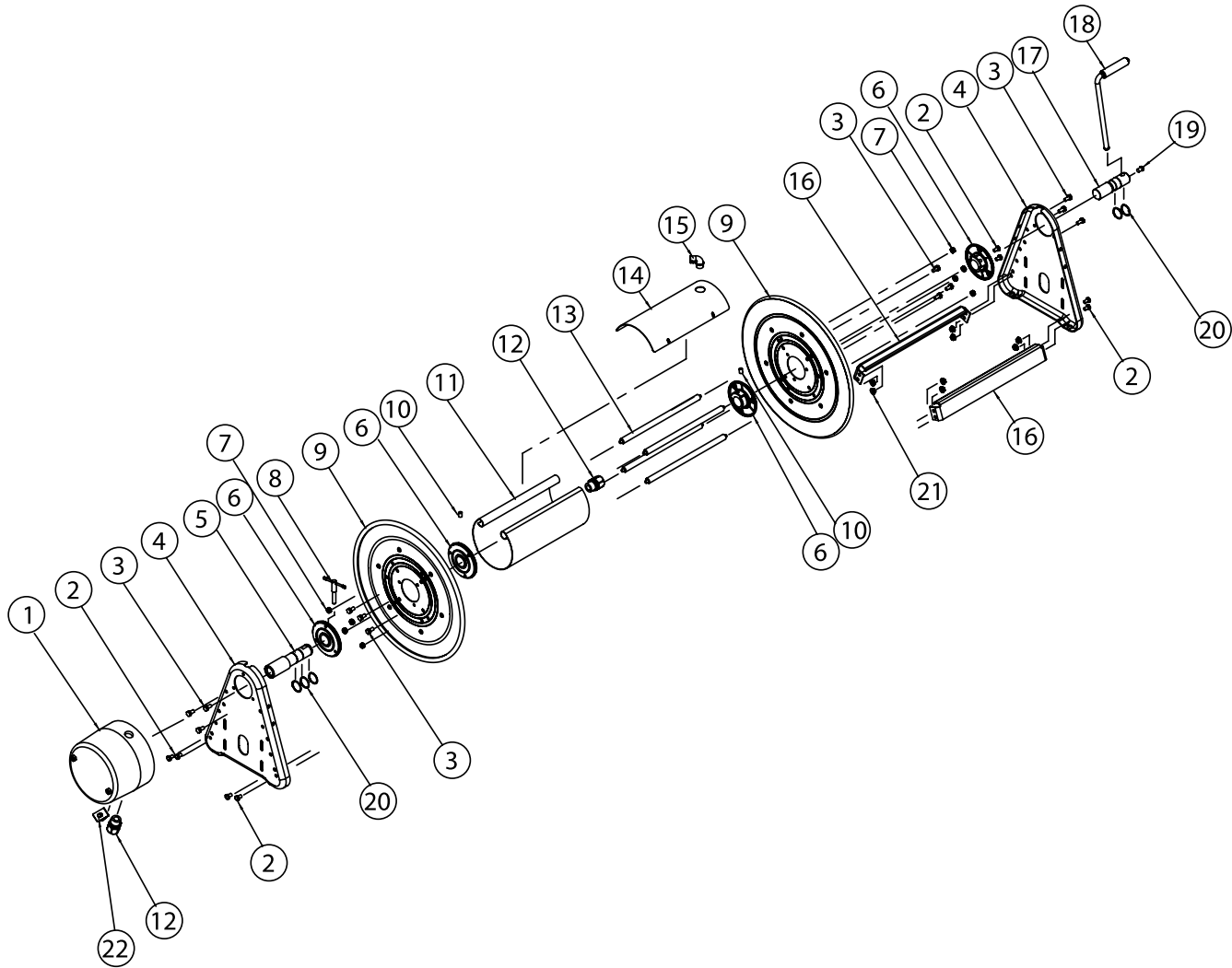
**1/3 HP Motorized Reels**



**Bevel Gear Drive**

PARTS COMMON TO 1/3 HP MOTORIZED REELS			
Item #	Part #	Qty	Description
1	S260409	1	Drive Motor
2	S260408	1	Motor Gear
3	S2-52	4	Screw, 5/16-18 x 5/8"
4	260405	1	Motor Bracket
5	300039	4	Washer
6	S2-52	4	Screw, 5/16-18 x 5/8"
7	S85-7	4	Lock Nut 5/16-18
8	260403 REF	REF	Side Frame
9	S79-3	6	Flange Nut 10-32
10	260407	1	Spool Gear
11	S260410	6	Gear Spacer
12	S27-112	6	Screw 10-32 x 1 1/8"
13	260399 REF	REF	Spool Flange
14	S260406	1	Drive Chain #35

PARTS COMMON TO BEVEL GEAR DRIVEN REELS							
Item #	Part #	Qty	Description	Item #	Part #	Qty	Description
1	S390838-10-35	1	Crank & handle ass'y	11	S27-108	6	Screw, cap
2	S281-6	2	Nut, hex flange	12	S260399-3	2	Flange, spool
3	S317-31	12	Screw, self tapping	13	S317-31	12	Screw, self tapping
4	260403	2	Frame, side	14	261102	1	Shaft, bevel support
5	S600640	4	Hub & bushing ass'y	15	S2-51	8	Screw, hex cap
6	300007	7	Ring, snap	16	S44-6	2	Screw, machine
7	S79-3	6	Nut, flange	17	S2-52	5	Screw, hex cap
8	S323058M-ANZ	1	Gear, crown	18	262344-35	1	Crank, support
9	S85-7	8	Nut, nyloc	19	S390843-2-ANZ	1	Hand rewind ass'y
10	600640	4	Hub & bushing ass'y				



Item #	Description	Qty	LB312 103	LB312 123	LC312 103	LC312 123	LE312 103 12D	LE312 123 12D
14	Spool Cover	1	262011-1	262011-2	262011-1	262011-2	262011-1	262011-2
15	Strain Relief	1	262016	260697	262016	260697	262016	260697

Item #	Part #	Qty	Description	Item #	Part #	Qty	Description
1	602081	1	Collector Ring Assembly	12	261555	1	Cord Grip Assembly
2	S2-51	8	Screw, 5/16-18 x 1/2"	13	261402-100	4	Tie Rod
3	S317-31	12	Screw, 5/16-18 x 5/8"	14	By Model	1	Spool Cover
4	260403	2	Side Frame	15	By Model	1	Strain Relief
5	261988	1	Collector Ring Shaft	16	261501-2	2	Cross Brace
6	S600640	4	Hub & Bushing Assembly	17	602242	1	Support Shaft
7	S85-7	8	Nyloc Nut	18	S600102	1	Crank & Handle Assembly
8	S280109	1	Lock Handle Assembly	19	300089	1	Set Screw 3/8-16 x 3/8"
9	S260399-3	2	Spool Flange	20	300007	5	Snap Ring
10	300006	2	Set Screw 3/8-16 x 1/2"	21	300107	9	Lock Nut 5/16-18
11	260401-2	1	Spool Spacer	22	262019	1	Housing Bracket