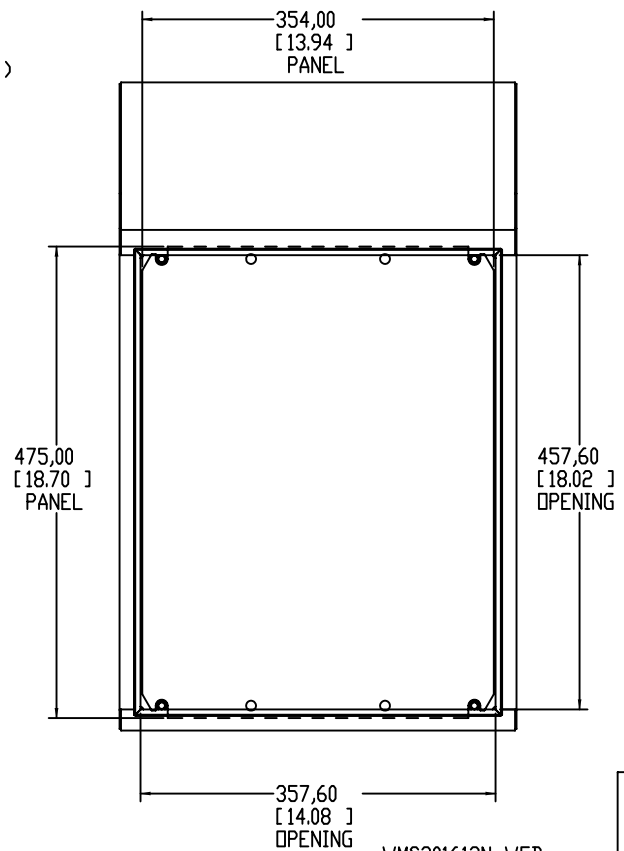
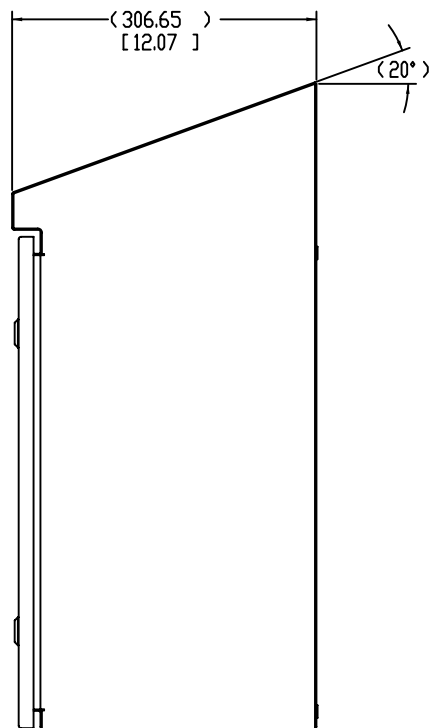
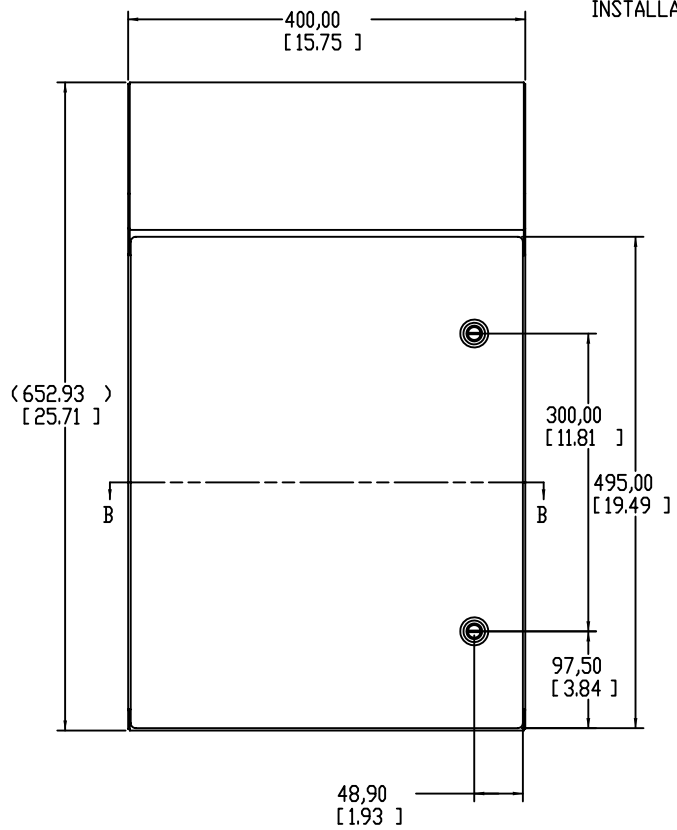


SECTION B-B

STD DEAD FRONT INSTALLATION STUDS



WMS201612N_WEB

