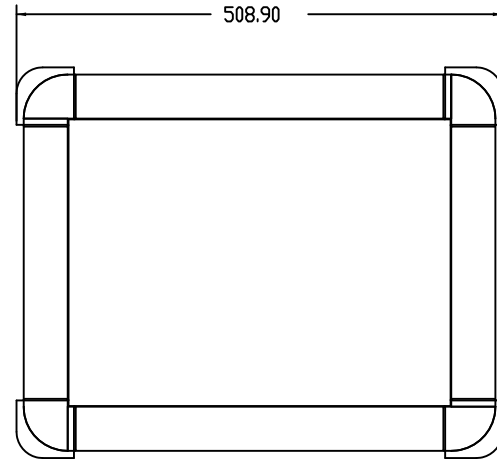
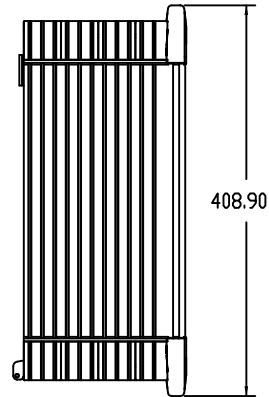
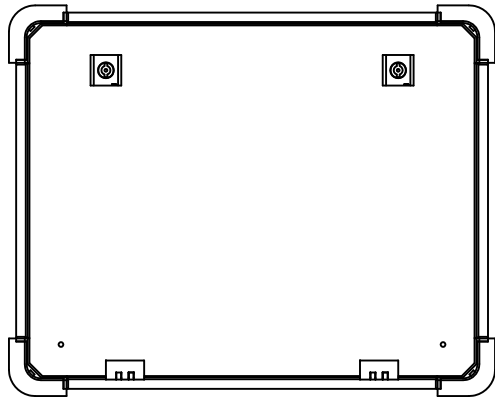
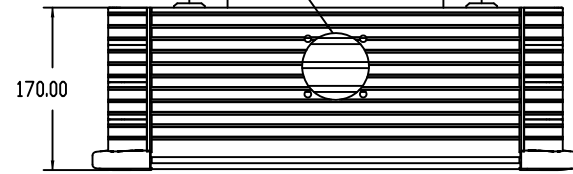


RITTAL STANDARD CP-L



TOLERANCES UNLESS OTHERWISE SPECIFIED	
CUT EDGE TO HOLE	0.00 0.000
HOLE/STUD TO HOLE/STUD	±.80 ±.400
FORM EDGE TO FORM EDGE	±.60 ±.300
FORM EDGE TO CUTOUT	±1.60 ±.800
TAPPED HOLE DIA	±.10 ±.100
THRU CUTOUTS	±.40 ±.250
MEASUREMENTS ARE IN MM	

MATERIAL:	TYPE:	FINISH:
-		

ISO 1101/ANSI Y14.5			CUSTOMER DWG:
DRAWN	DATE	NAME	WEIGHT:
CHECK	3/25/13	BCJ	ORDER:
CUSTOMER:	-		CP 121606 ASSEMBLY
			US STANDARD

