

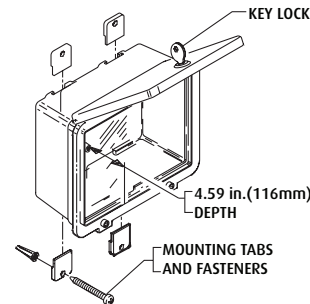


**Safety Technology International, Inc.**  
 2306 Airport Road • Waterford, Michigan 48327-1209  
 Phone: 248-673-9898 • Fax: 248-673-1246  
 Toll Free: 800-888-4784 • E-mail: info@sti-usa.com  
 Web: www.sti-usa.com

**Safety Technology International (Europe) Ltd.**  
 Unit 49G Pipers Road • Park Farm Industrial Estate • Redditch  
 Worcestershire • B98 0HU • England • Tel: 44 (0) 1527 520 999  
 Fax: 44 (0) 1527 501 999 • Freephone: 0800 085 1678 (UK only)  
 E-mail: info@sti-europe.com • Web: www.sti-europe.com

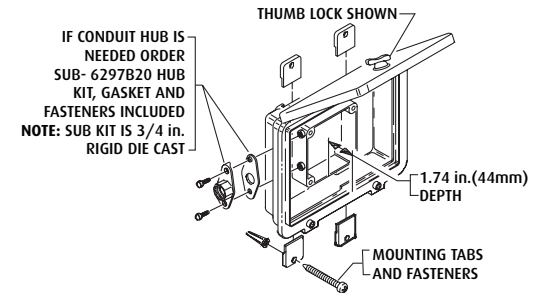
**STI-7510A, STI-7510A-OW, STI-7511A, STI-7511A-OW**

SEALED BACK BOX WITH EXTERNAL MOUNTING



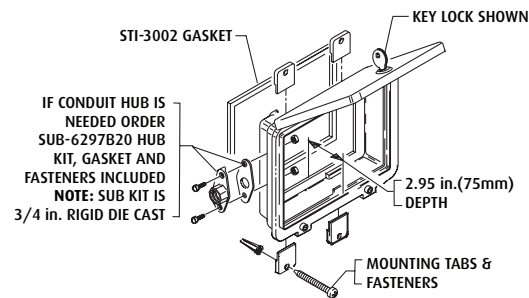
**STI-7510B, STI-7511B**

SEALED BACK BOX WITH EXTERNAL MOUNTING AND MOLDED DOUBLE GANG OUTLET BOX



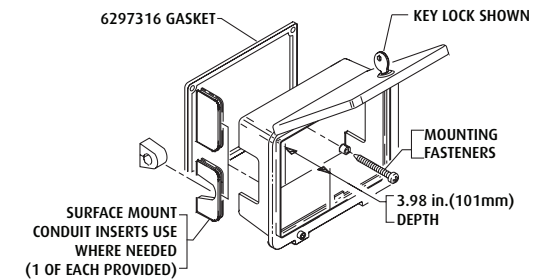
**STI-7510C, STI-7511C**

OPEN BACK BOX WITH EXTERNAL MOUNTING



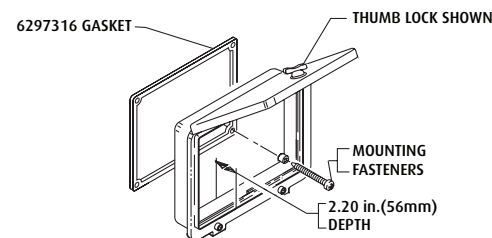
**STI-7510D, STI-7511D**

OPEN BACK BOX WITH INTERNAL MOUNTING



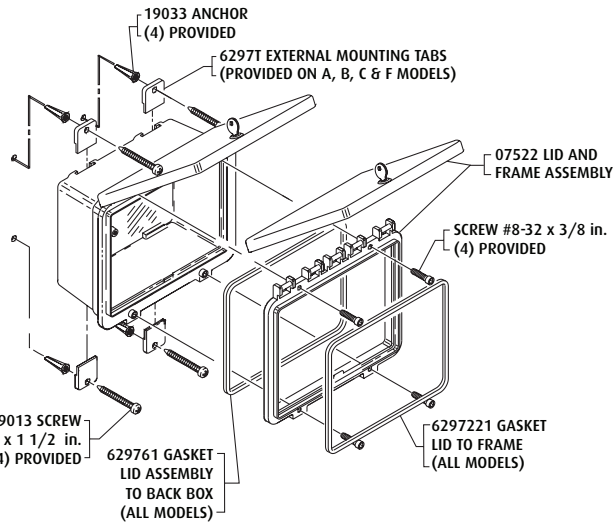
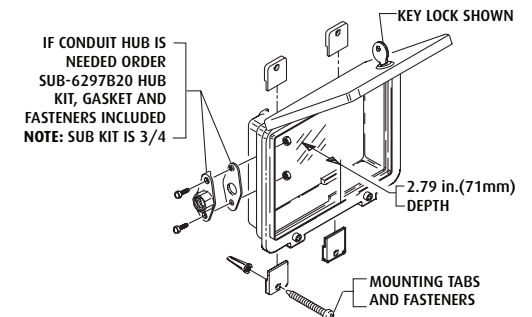
**STI-7510E, STI-7511E**

OPEN BACK BOX WITH INTERNAL MOUNTING



**STI-7510F, STI-7510F-OW, STI-7511F, STI-7511F-OW**

SEALED BACK BOX WITH EXTERNAL MOUNTING



**STI-7510 with Key Lock**  
**STI-7511 with Thumb Lock**  
**STI-7510/11-OW White Back Box**

**INSTALLATION INSTRUCTIONS**

1. Insert the (4) mounting tabs into the back box slots with A, B, C, and F models.
2. Using the installed mounting tab holes or internal mounting bosses as a template, mark and drill (4) 1/4 in. diameter holes and complete installation as shown.

**CLEANING INSTRUCTIONS**

Rinse with water to remove abrasive dust and dirt. Wash with soap or mild detergent, using a soft cloth. (Do not scrub or use brushes or abrasives.) Rinse once more, then dry using a soft cloth or chamois.

To remove grease or wet paint, rub gently with a cloth wetted thoroughly with naphtha (do not use razor blades or gasoline). Then wash and rinse.

Electronic warranty form at [www.sti-usa.com/wc14](http://www.sti-usa.com/wc14)

**INSTALLATION OF STI-7510 & STI-7511 POLYCARBONATE ENCLOSURES**

All specifications and information shown were current as of publication, and are subject to change without notice.

7510/11S AUG2014

