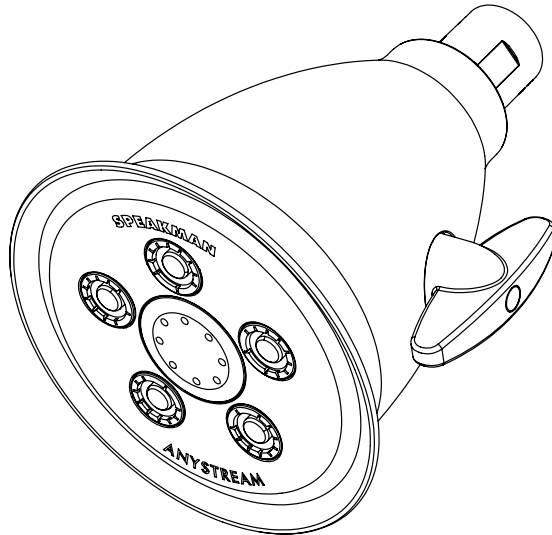


# SPEAKMAN®

## Hotel Showerhead

S-2005-HB

SPECIFICATION



### FEATURES:

- 4½ in. diameter face
- 5 self-cleaning plunger nozzles resist scale build-up
- 50 spray streams for a full body coverage pattern
- Spray adjusting T-handle
- Brass threaded ½ in. NPSM inlet
- Dual action combination spray
- Center core nozzles deliver 8 pulsating-massage jets
- 2.5 gpm (9.5 L/min) flow rate

### COMPLIANCE:

- ASME A112.18.1/CSA B125.1 certified
- WaterSense certified (E2)

### FINISHES:

ADD SUFFIX TO MODEL #

- Polished Chrome (standard)
- Polished Brass  -PB
- Brushed Chrome  -BC
- Polished Nickel  -PN
- Brushed Nickel  -BN

### OPTIONS:

ADD SUFFIX TO MODEL #

- 2.0 gpm flow rate

### WARRANTY:

- Lifetime limited warranty



SEE REVERSE FOR ROUGH-IN DIMENSIONS

THIS SPACE FOR ARCHITECT/ENGINEER APPROVAL.

# SPEAKMAN®

400 ANCHOR MILL ROAD | NEW CASTLE, DE 19720  
P: 800-537-2107 | F: 800-977-2747  
WWW.SPEAKMANCOMPANY.COM

REVISION DATE: JANUARY 2014

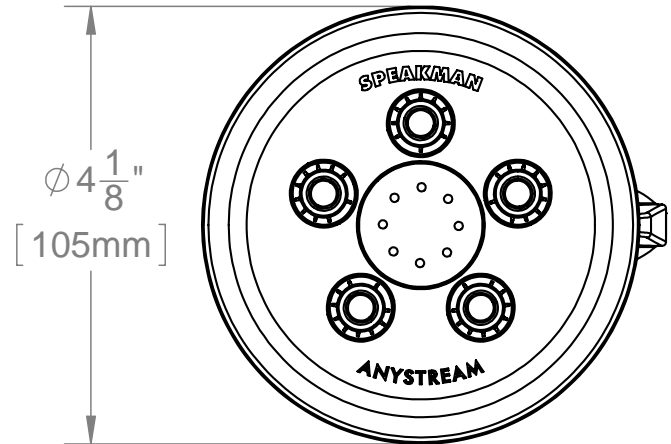
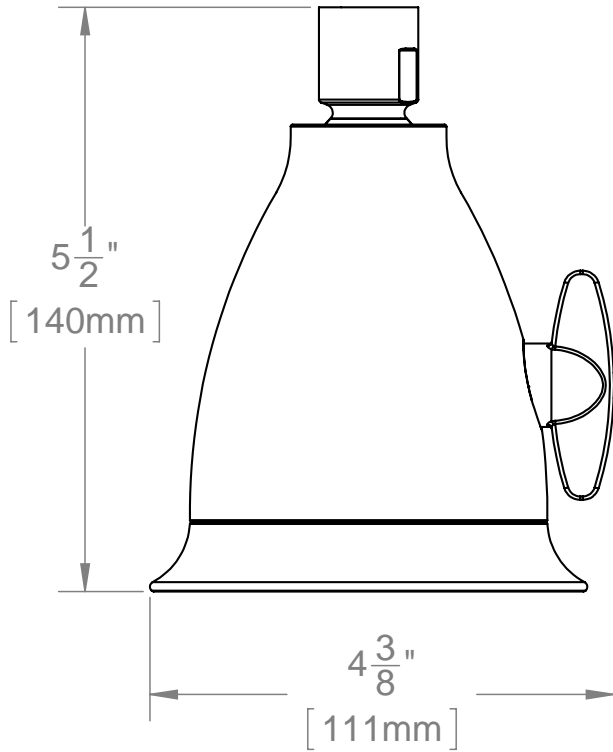


Management Systems  
Registered to ISO 9001

# SPEAKMAN®

## Hotel Showerheads S-2005-HB

SPECIFICATION



NOTE: 1. All dimensions are in inches (millimeters) unless otherwise specified and are subject to change without notice.

THIS SPACE FOR ARCHITECT/ENGINEER APPROVAL.

# SPEAKMAN®

400 ANCHOR MILL ROAD | NEW CASTLE, DE 19720  
P: 800-537-2107 | F: 800-977-2747  
WWW.SPEAKMANCOMPANY.COM



Management Systems  
Registered to ISO 9001

REVISION DATE: JANUARY 2014