

SPECIFICATION SHEET

E502T

OFF DELAY TIMER

APPLICATIONS

- Exhaust fans
- Process control
- Simultaneous start:
Staggered OFF switch
- Manufacturing timing

FEATURES

- Dial sets 32 time durations:
from 5 seconds to 3 hours
- External switch starts interval ON
- Automatically turns OFF at end of preset time
- External switch turns OFF

SPECIFICATIONS

MULTI-VOLTAGE INPUT: 120/240VAC

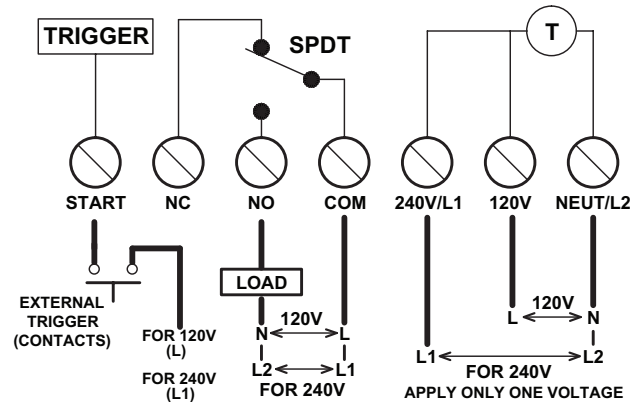
CONTACTS: SPDT Contacts

TERMINALS: Screw terminals accept #18 - #12 AWG

ENCLOSURES: NEMA 4X enclosure for Indoor Use



WIRING DIAGRAM



Use copper conductors. For supply connections use #12AWG wire rated for at least 90°C (194°F) or equivalent.

CATALOG NO.	UPC CODE	INPUT SUPPLY (VAC) 60Hz	OUTPUT CONTACTS
E502T	82516	120/240	SPDT

TYPE	VOLTAGE	CONTACT RATINGS	
		NO	NC
General Purpose	120-240VAC	20A	10A
Motor Load	120VAC	1HP	¼HP
	208-240VAC	2HP	½HP
Pilot Duty	120-240VAC	470VA	275VA
Resistive	120-240VAC	20A	10A