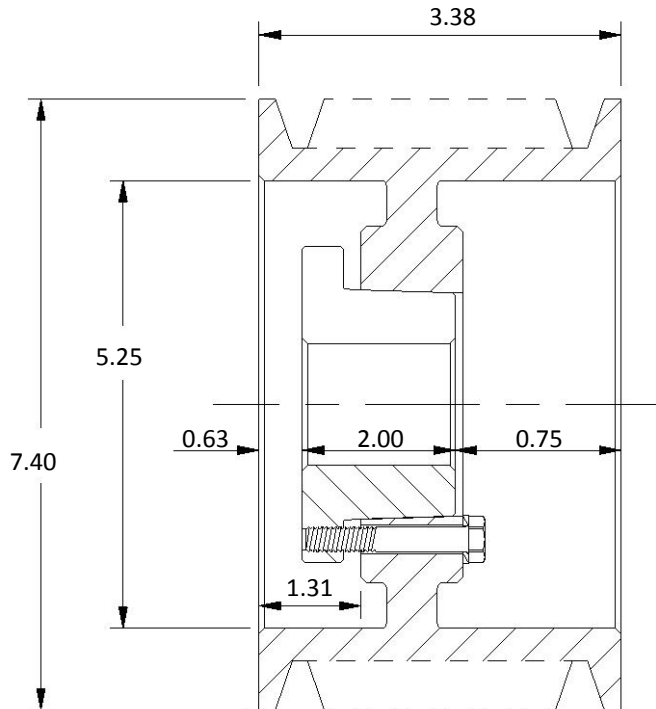


Product Specification Sheet



Material Number: 5YKK3
Product Number: 703C
Part Description: 7.0X3C-SF
Product Type: Classical Sheave
Construction: Solid

Properties and Performance	
Groove Section Profile:	C
Number of Grooves:	3
Bushing Size:	SF
Bore Range:	1/2 - 2 15/16 in
Material Type:	Cast Iron
Maximum Speed:	3380 RPM
Product Weight:	15.1 lbs
Balance Specification:	Standard, 1 plane