

Product information presented here reflects conditions at time of publication. Consult factory regarding discrepancies or inconsistencies.

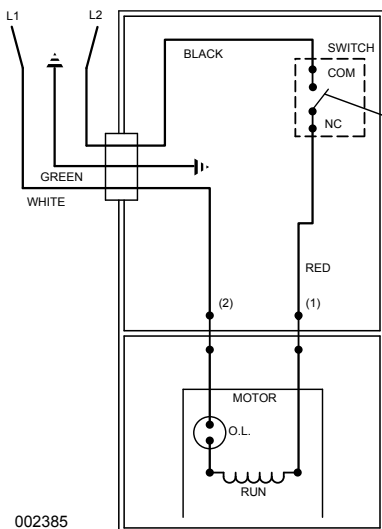
## REPLACEMENT PARTS LIST FOR MODELS:

**M53 AUTOMATIC 115V**  
**D53 AUTOMATIC 230V**  
**N53 NONAUTOMATIC 115V**  
**E53 NONAUTOMATIC 230V**

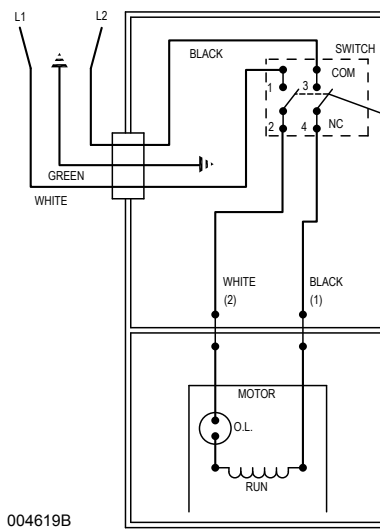
Consult factory for all other models.

**TO ORDER REPLACEMENT PARTS:**  
**PLEASE FURNISH THE FOLLOWING INFORMATION:**

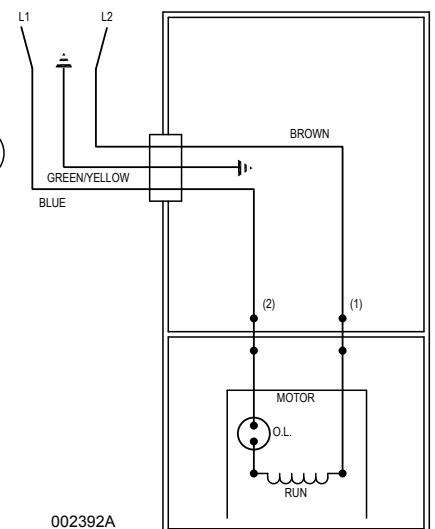
- Model number
- Part number of pump  
 (If manufactured prior to June 1988, give 2 letter data code following Model No.)
- Part number and description of part



WIRING DIAGRAM FOR MODELS  
 "M53-A" and "D53-A"  
 9/81 (VM) thru 8/86 (US)



WIRING DIAGRAM FOR MODELS  
 "M53-B", "M53-C" and "M53-D"  
 "D53-B", "D53-C", and "D53-D"  
 9/86 (VS) thru Current



WIRING DIAGRAM FOR MODELS  
 "N53-A", "N53-B" and "N53-C"  
 "E53-A", "E53-B", and "E53-C"  
 9/81 (VM) thru Current

**REPLACEMENT PARTS LIST FOR MODELS "M53" and "D53".**

See back page for illustration.

		MODELS:		M53-A	M53-B	M53-C	M53-D		D53-A	D53-B	D53-C	D53-D
REF NO.	DESCRIPTION	QTY	NOTES	9/81 VM thru 8/86 US	9/86 VS thru 8/87 UT	9/87 VT thru 6/92	7/92 thru Current		9/81 VM thru 8/86 US	9/86 VS thru 8/87 UT	9/87 VT thru 6/92	7/92 thru Current
1	• Gasket, Case/Cover	1		034046	034046	034046	034046		034046	034046	034046	034046
2	• Clamp, Strain Relief-Red	1		001770	001770	001770	001770		001770	001770	001770	001770
3	• Seal, Cord-Asm "60"	1		002326	004322	004322	004322		002326	004322	004322	004322
4	Cord Term & Seal 115V/A	1	1,3	002321	004700	004700	004700		002320	004707	004707	004707
5	Stator Regal-Beloit	1	2	054040	054040	054040	007951		N/A	N/A	N/A	007952
	Stator 115V/1Ph Emerson			N/A	N/A	N/A	012095		N/A	N/A	N/A	012096
6	• Screw, #8-32 X 2.563 RHPl-Stlbo	2		001914	001914	001914	001914		001914	001914	001914	001914
7	Rotor Asm Regal-Beloit	1	2	054032	054032	054032	054032		054032	054032	054032	054032
	Rotor Asm 115/230V/1Ph Emerson			N/A	N/A	N/A	012095		N/A	N/A	N/A	012096
8	• Seal, Mtr Hsg	1		034007	034007	034007	034007		034007	034007	034007	034007
9	• Washer, Trst-Nyl. 875X.504X.050"	1		002140	002140	002140	002140		002140	002140	002140	002140
10	• Oil, Dielectric-(15.5 Oz Can)	1		057022	057022	057022	057022		057022	057022	057022	057022
11	Housing, Pump-Mach	1		057018	057018	057018	057018		057018	057018	057018	057018
12	• Seal Asm, Shaft-Blister Pak	1		267027	267027	267027	267027		267027	267027	267027	267027
13	Impeller-Plas 53	1		003644	003644	003644	003644		003644	003644	003644	003644
14	Base Asm	1		002690	002690	002690	002690		002690	002690	002690	002690
15	Plate, Strainer-Plastic	1		001082	001082	N/A	N/A		001082	001082	N/A	N/A
16	Case Handle & Arm Asm "50"	1	3,6	054092	004703	004703	004703		054093	004703	004703	004703
17	• Plug, Test-White	2		034090	034090	034090	034090		034090	034090	034090	034090
18	• Arm & Seal Asm "50"	1	3	054080	004704	004704	004704		054080	004704	004704	004704
19	Case & Switch "50"	1	3,6,7	054051	004702	004702	004702		054053	004702	004702	004702
20	Guard "50/1050"	1	3	034016	004645	004645	004645		034016	004645	004645	004645
21	• Seal, Thru Wall Term	2		003402	003402	003402	003402		003402	003402	003402	003402
22	Housing, Mtr-& Term Asm "50"	1		003177	004712	004712	004712		003177	004712	004712	004712
23	Float-Polypropylene	1		034019	034019	034019	034019		034019	034019	034019	034019
24	Rod Asm, Fit	1		054062	054062	054062	054062		054062	054062	054062	054062
25	Guide Asm, Fit Rod	1		034086	034086	034086	034086		034086	034086	034086	034086
26	Switch Asm "50"	1	3	034061	004705	004705	004705		034061	004705	004705	004705
⊞	Wire Asm-F-P(1)Wire Rs2.25"Lg	1		002231	N/A	N/A	N/A		002231	N/A	N/A	N/A
27	• Screw, #10-24 X.75 RHM-SI SS	16		001885	001885	001885	001885		001885	001885	001885	001885
28	• Screw, #6-32x.438Rhstlp*1"Stlzi	2		001877	004644	004644	004644		001877	004644	004644	004644
29	• Screw, #6-32x.25RHM SI Tc Stlgr	1		001877	001877	001877	001877		001877	001877	001877	001877
30	• Sem, 10-12x.5HH-SIShmt Scr Tp A	3		003229	003229	N/A	N/A		003229	003229	N/A	N/A
⊞	Rebuild Kit "53/1053/55"	1		003181	004706	004706	004706		003181	004706	004706	004706

• Items included in Rebuild Kit.

⊞ Not Shown in Illustration.

§ Not sold separately.

**NOTES:**

- 1) Strain Relief (Item 2) can be purchased separately, but is included with Cord, Terminal & Seal Assembly (Item 4) and with Seal, Cord Assembly (Item 3).
- 2) Emerson stators (identified by green epoxy insulation) are no longer available. A stator and rotor combination by Regal-Beloit who took over the GE line of motors must be purchased to replace the individual Emerson stator or rotor for date code 7/92 to current. Emerson motors replacement prior to 7/92 is no longer available. 230 volt stators for Emerson and Regal-Beloit are no longer available prior to 7/92.
- 3) To insure proper replacement, customer must identify if switch is a General Electric switch.
- 4) See FM0160 Parts Price Sheet for listing of parts prices.
- 5) "NA" indicates, not applicable.
- 6) If an "X" follows Model No., or Date Mfg. on brass ID tag, consult factory for ordering any parts.
- 7) For pumps with date code prior to 9/86 the replacement case and switch will have a new style switch.

DATE CODE OF MANUFACTURE FROM 12/70 to 12/88					
1st LETTER MONTH			2nd LETTER YEAR		
M — JAN.	T — JULY	A — 1971	G — 1977	O — 1983	
N — FEB.	U — AUG.	B — 1972	H — 1978	P — 1984	
O — MARCH	V — SEPT.	C — 1973	I — 1979	R — 1985	
P — APRIL	W — OCT.	D — 1974	J — 1980	S — 1986	
R — MAY	X — NOV.	E — 1975	M — 1981	T — 1987	
S — JUNE	Y — DEC.	F — 1976	N — 1982	U — 1988	

**NOTE:** Four digit (MMYY) date of mfg. used after June, 1988.  
IE: MMYY = 0192 = Jan. 1992

# REPLACEMENT PARTS LIST FOR MODELS "N53" and "E53".

See back page for illustration.

MODELS:				N53	N53-A	N53-D	N53-C		E53	E53-A	E53-B	E53-C
REF NO.	DESCRIPTION	QTY	NOTES	9/81 VM thru 8/86 US	9/86 VS thru 8/87 UT	9/87 VT thru 6/92	7/92 thru Current		9/81 VM thru 8/86 US	9/86 VS thru 8/87 UT	9/87 VT thru 6/92	7/92 thru Current
1	• Gasket, Case/Cover	1		034046	034046	034046	034046		034046	034046	034046	034046
2	• Clamp, Strain Relief-Red	1	1	001770	001770	001770	001770		001770	001770	001770	001770
3	• Seal, Cord-Asm "60"	1	1,3	002326	004322	004322	004322		002326	004322	004322	004322
4	Cord Term & Seal 115V/Na	1	1	002319	004708	004708	004708		002318	004709	004709	004709
5	Stator Regal-Beloit	1	2	054040	054040	054040	007951		N/A	N/A	N/A	007952
	Stator 115V/1Ph Emerson	1	2	N/A	N/A	N/A	012095		N/A	N/A	N/A	012096
6	• Screw, #8-32 X 2.563 RHPI-Stlbo	2		001914	001914	001914	001914		001914	001914	001914	001914
7	Rotor Asm Regal-Beloit	1	2	054032	054032	054032	054032		054032	054032	054032	054032
	Rotor Asm 115/230V/1Ph Emerson	1	2	N/A	N/A	N/A	012095		N/A	N/A	N/A	012096
8	• Seal, Mtr Hsg	1		034007	034007	034007	034007		034007	034007	034007	034007
9	• Washer, Trst-Nyl. 875X.504X.050"	1		002140	002140	002140	002140		002140	002140	002140	002140
10	• Oil, Dielectric-(15.5 Oz Can)	1		057022	057022	057022	057022		057022	057022	057022	057022
11	Housing, Pump-Mach	1		057018	057018	057018	057018		057018	057018	057018	057018
12	• Seal Asm, Shaft-Blister Pak	1		267027	267027	267027	267027		267027	267027	267027	267027
13	Impeller-Plas 53	1		003644	003644	003644	003644		003644	003644	003644	003644
14	Base Asm	1		002690	002690	002690	002690		002690	002690	002690	002690
15	Plate, Strainer-Plastic	1		001082	001082	N/A	N/A		001082	001082	N/A	N/A
16	Cover & Handle "50"	1		034067	034067	034067	034067		034067	034067	034067	034067
17	• Plug, Test-White	2		034090	034090	034090	034090		034090	034090	034090	034090
18	• Seal, Thru Wall Term	2		003402	003402	003402	003402		003402	003402	003402	003402
19	Housing, Mtr- & Term Asm "50"	1		003177	004712	004712	004712		003177	004712	004712	004712
20	• Screw, #10-24 X.75 RHM-SI SS	16		001885	001885	001885	001885		001885	001885	001885	001885
21	• Sem, 10-12x.5HH-SI Shmt Scr Tp A	3		003229	003229	N/A	N/A		003229	003229	N/A	N/A
22	• Screw, #6-32x.25RHM SI Tc Stlgr	1		001877	001877	001877	001877		001877	001877	001877	001877
☐	Rebuild Kit "53/1053/55"	1		003181	004706	004706	004706		003181	004706	004706	004706

- Items included in Rebuild Kit.
- ☐ Not Shown in Illustration.
- § Not sold separately.

**NOTES:**

- 1) Strain Relief (Item 2) can be purchased separately, but is included with Cord, Terminal & Seal Assembly (Item 4) and with Seal, Cord Assembly (Item 3).
- 2) Emerson stators (identified by green epoxy insulation) are no longer available. A stator and rotor combination by Regal-Beloit who took over the GE line of motors must be purchased to replace the individual Emerson stator or rotor for date code 7/92 to current. Emerson motors replacement prior to 7/92 is no longer available. 230 volt stators for Emerson and Regal-Beloit are no longer available prior to 7/92.
- 3) When ordering these parts, customer must identify if switch is a General Electric switch.
- 4) See FM0160 Parts Price Sheet for listing of parts prices.
- 5) "NA" indicates, not applicable.
- 6) If an "X" follows Model No., or Date Mfg. on brass ID tag, consult factory for ordering any parts.



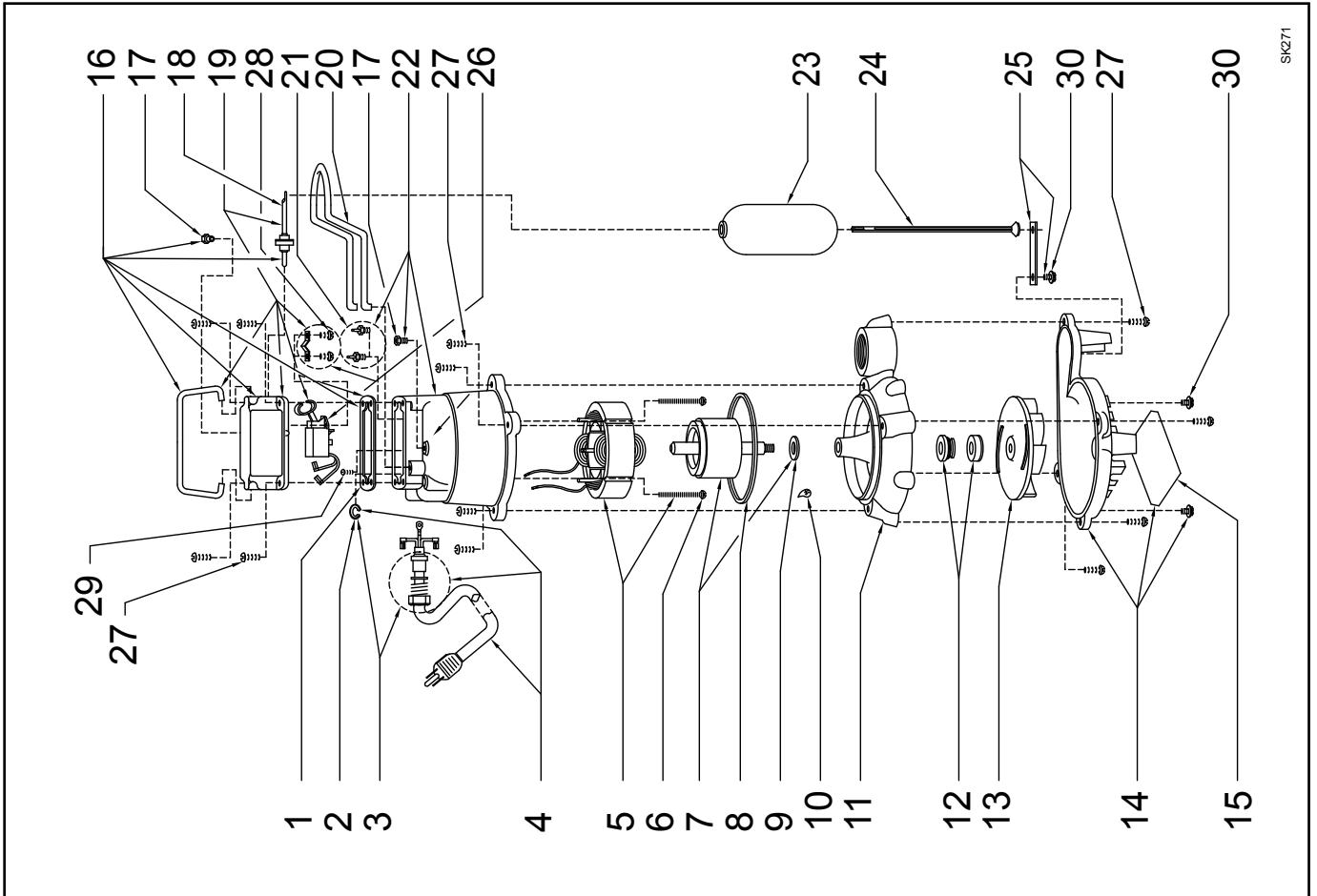
**PUMP COMPANY**

MAIL TO: P.O. BOX 16347 • Louisville, KY 40256-0347  
 SHIP TO: 3649 Cane Run Road • Louisville, KY 40211-1961  
 (502) 778-2731 • 1 (800) 928-PUMP • FAX (502) 774-3624

Your Peace of Mind is Our Top Priority®

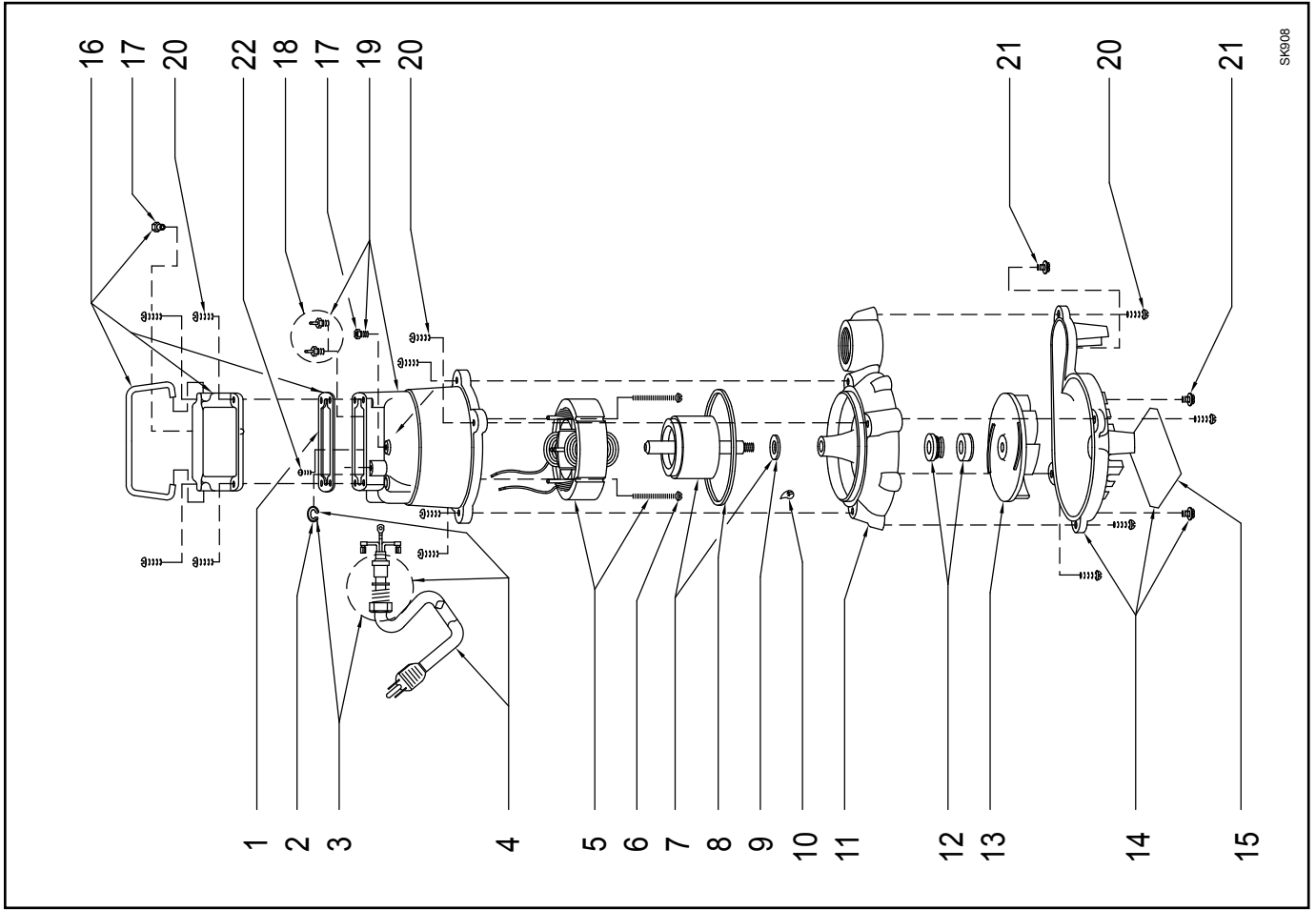
visit our web site:  
[www.zoeller.com](http://www.zoeller.com)

REPLACEMENT PARTS ILLUSTRATION FOR MODELS "M53" AND "D53"



SK271

REPLACEMENT PARTS ILLUSTRATION FOR MODELS "N53" AND "E53"



SK908