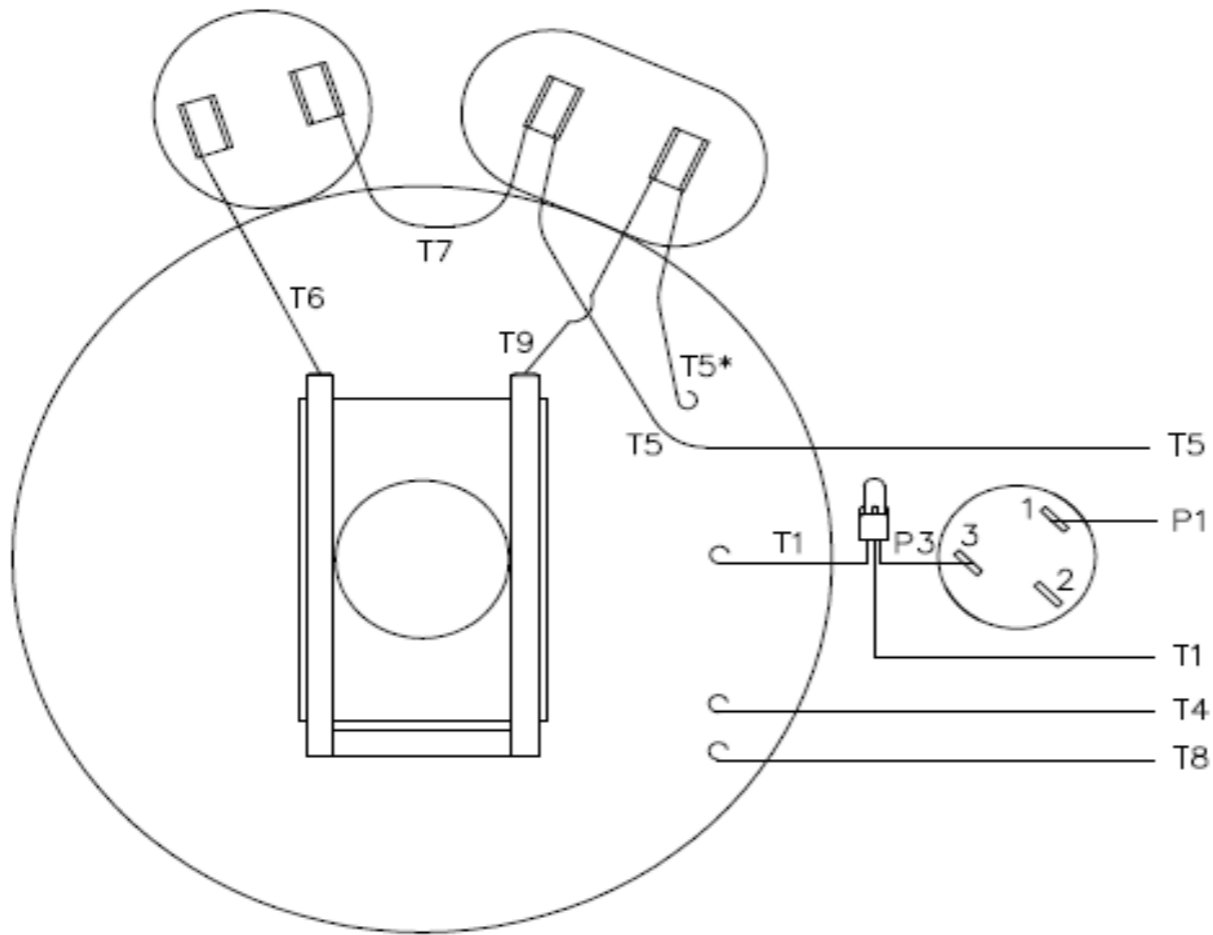


# Wiring Diagram



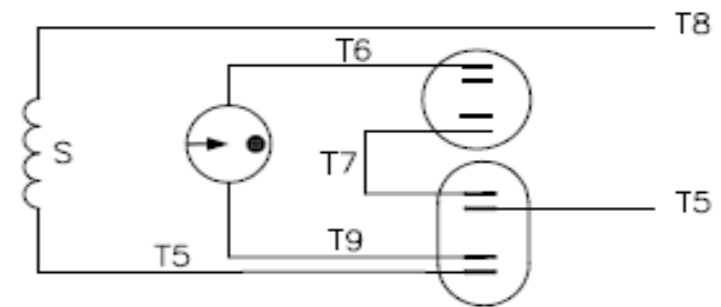
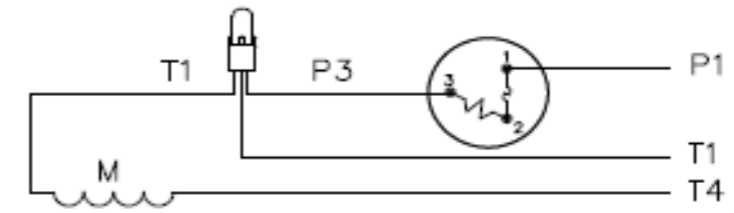
|       |           |
|-------|-----------|
| 1TMY7 | REV.<br>- |
|-------|-----------|

VIEW FROM OUTSIDE OF MOTOR AT SWITCH END.



\* THIS LEAD MAY BE WHITE

## LINE LEADS



| ROTATION<br>FACING<br>LEAD END | L1 | L2    | JOIN  |
|--------------------------------|----|-------|-------|
| C.C.W.                         | P1 | T4,T5 | T1,T8 |
| C.W.                           | P1 | T4,T8 | T1,T5 |

|             |         |      |
|-------------|---------|------|
| DRAWING NO. | PAGE OF | REV. |
| 1TMY7       | 1       | -    |

Dayton Electric Mfg. Co. Lake Forest, IL 60045 USA