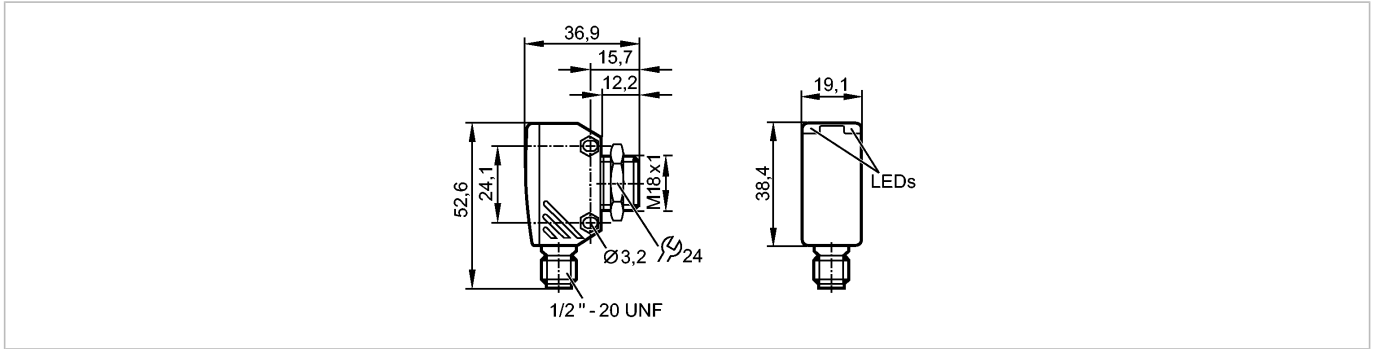


OGP081

OGP-HBOW/LS/CUBE

Photoelectric sensors



Made in USA

Product characteristics

Retro-reflective sensor
Cube
Connector
Polarisation filter
Sensing range 4m (Prismatic reflector Ø 80 (E20005))

Electrical data

Electrical design	AC
Operating voltage [V]	20...250 AC (47...63 Hz)
Type of light	Red light 633 nm
Protection class	II *)

Outputs

Output function	light-on mode
Voltage drop [V]	< 8
Minimum load current [mA]	5
Leakage current [mA]	< 1.7

Current rating

- Current rating (continuous) [mA]	200 (...40 °C) / 150 (...60 °C)
- Current rating (peak) [mA]	î: 1200 (20 ms / 0.5 Hz)
Short-circuit protection	no
Overload protection	no
Switching frequency [Hz]	30

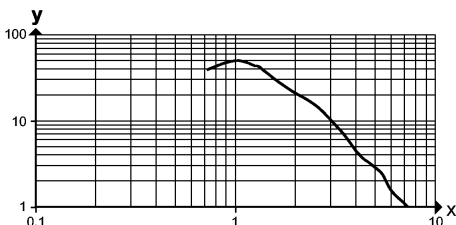
Range

Sensing range [m]	4 (Prismatic reflector Ø 80 (E20005))
Light spot diameter [mm]	160 (at maximum range)

Excess gain graphs

x: distance in [m]

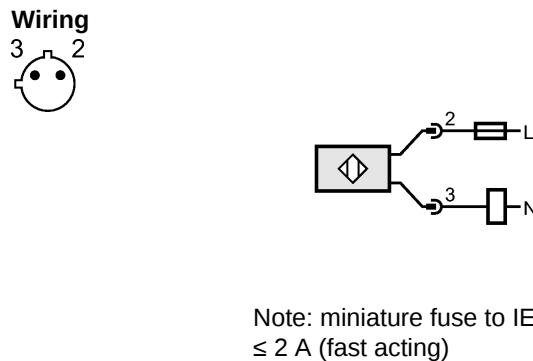
y: excess gain factor



OGP081

OGP-HBOW/LS/CUBE

Photoelectric sensors

Environment	
Ambient temperature [°C]	-25...60
Protection	IP 67
Tests / approvals	
EMC	EN 60947-5-2 EN 55011 (Emission): class B
MTTF [Years]	365
Mechanical data	
Housing materials	Zinc Alloy; PEI
Lens material	PMMA
Weight [kg]	0.061
Displays / operating elements	
Output status indication LED	yellow
Electrical connection	
Connection	1/2" connector
<p>Wiring</p>  <p>Note: miniature fuse to IEC60127-2 sheet 1, ≤ 2 A (fast acting)</p>	
Accessories	
Accessories (included)	1 lock nut
Remarks	
Remarks	Do not connect without a load *) double insulated
Pack quantity [piece]	1