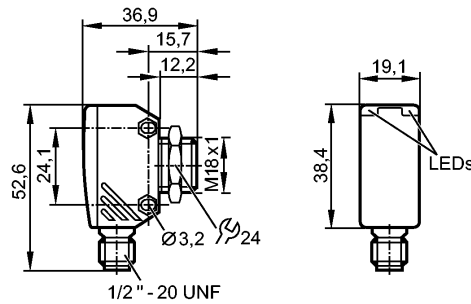


OGS080

OGS-000W/LS/CUBE

Photoelectric sensors



Made in USA

Product characteristics

| |
|---------------------|
| Through-beam sensor |
| Cube |
| Connector |
| Transmitter |
| Sensing range 20m |

Electrical data

| | |
|--------------------------|--------------------------|
| Electrical design | AC |
| Operating voltage [V] | 20...250 AC (47...60 Hz) |
| Current consumption [mA] | < 5 |
| Type of light | Red light 633 nm |
| Protection class | II *) |

Range

| | |
|--------------------------|--------------------------|
| Sensing range [m] | 20 |
| Light spot diameter [mm] | 800 (at maximum range) |

Environment

| | |
|--------------------------|----------|
| Ambient temperature [°C] | -25...60 |
| Protection | IP 67 |

Tests / approvals

| | |
|--------------|--|
| EMC | EN 60947-5-2 EN 55011 (Emission): class B |
| MTTF [Years] | 1136 |

Mechanical data

| | |
|-------------------|-----------------|
| Housing materials | Zinc Alloy; PEI |
| Lens material | PMMA |
| Weight [kg] | 0.062 |

Displays / operating elements

| | |
|---------------|-------|
| Operation LED | green |
|---------------|-------|

Electrical connection

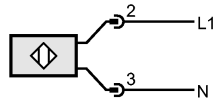
| | |
|------------|----------------|
| Connection | 1/2" connector |
|------------|----------------|

Wiring

OGS080

OGS-000W/LS/CUBE

Photoelectric sensors



Note: miniature fuse to IEC60127-2 sheet 1,
 ≤ 2 A (fast acting)

Accessories

| | |
|------------------------|------------|
| Accessories (included) | 1 lock nut |
|------------------------|------------|

Remarks

| | |
|---------|---------------------|
| Remarks | *) double insulated |
|---------|---------------------|

| | | |
|---------------|---------|---|
| Pack quantity | [piece] | 1 |
|---------------|---------|---|