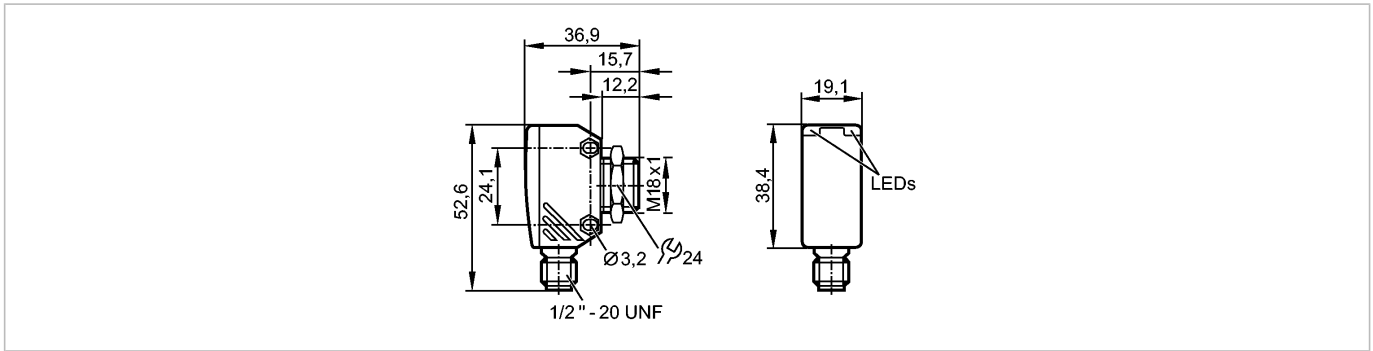


OGE080

OGE-DBOW/LS/CUBE

Photoelectric sensors



Made in USA

Product characteristics

Through-beam sensor

Cube

Connector

Receiver

Sensing range 20m

Electrical data

Electrical design		AC
Operating voltage	[V]	20...250 AC (47...63 Hz)
Type of light		Red light 633 nm
Protection class		II *)

Outputs

Output function		dark-on mode
Voltage drop	[V]	< 8
Minimum load current	[mA]	5
Leakage current	[mA]	< 1.7

Current rating

- Current rating (continuous)	[mA]	200 (...40 °C) / 150 (...60 °C)
- Current rating (peak)	[mA]	î: 1200 (20 ms / 0.5 Hz)
Short-circuit protection		no
Overload protection		no
Switching frequency	[Hz]	30

Range

Sensing range	[m]	20
---------------	-----	----

Excess gain graphs

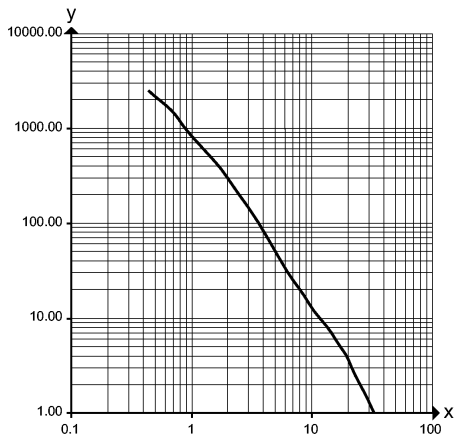
x: distance in [m]

y: excess gain factor

OGE080

OGE-DBOW/LS/CUBE

Photoelectric sensors



Environment

Ambient temperature	[°C]	-25...60
Protection		IP 67

Tests / approvals

EMC		EN 60947-5-2 EN 55011 (Emission):	class B
MTTF	[Years]		365

Mechanical data

Housing materials		Zinc Alloy; PEI
Lens material		PMMA
Weight	[kg]	0.061

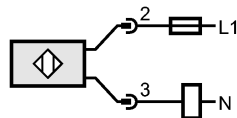
Displays / operating elements

Output status indication	LED	yellow
--------------------------	-----	--------

Electrical connection

Connection		1/2" connector
------------	--	----------------

Wiring



Note: miniature fuse to IEC60127-2 sheet 1,
≤ 2 A (fast acting)

Accessories

Accessories (included)		1 lock nut
------------------------	--	------------

Remarks

Remarks		Do not connect without a load *) double insulated
---------	--	--

Pack quantity	[piece]	1
---------------	---------	---