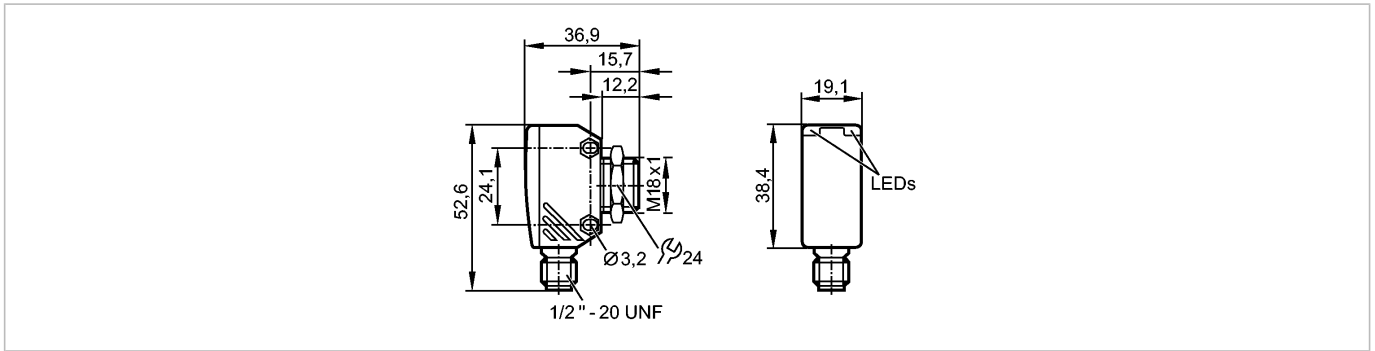


OGH081

OGH-DBOW/LS/CUBE/100MM

Photoelectric sensors



Made in USA

Product characteristics

Diffuse reflection sensor

Cube

Connector

Background suppression

Range 100mm (Range referred to white paper 200 x 200 mm, 90 % remission)

Electrical data

| | | |
|-----------------------|--|--------------------------|
| Electrical design | | AC |
| Operating voltage [V] | | 20...250 AC (47...63 Hz) |
| Type of light | | Red light 633 nm |
| Protection class | | II *) |

Outputs

| | | |
|---------------------------|--|--------------|
| Output function | | dark-on mode |
| Voltage drop [V] | | < 8 |
| Minimum load current [mA] | | 5 |
| Leakage current [mA] | | < 1.7 |

Current rating

| | | |
|------------------------------------|--|---------------------------------|
| - Current rating (continuous) [mA] | | 200 (...40 °C) / 150 (...60 °C) |
| - Current rating (peak) [mA] | | î: 1200 (20 ms / 0.5 Hz) |
| Short-circuit protection | | no |
| Overload protection | | no |
| Switching frequency [Hz] | | 20 |

Range

| | | |
|--------------------------|--|--|
| Range [mm] | | 100 (Range referred to white paper 200 x 200 mm, 90 % remission) |
| Light spot diameter [mm] | | 11 (at maximum range) |

Environment

| | | |
|--------------------------|--|----------|
| Ambient temperature [°C] | | -25...60 |
| Protection | | IP 67 |

Tests / approvals

| | | |
|--------------|--|--|
| EMC | | EN 60947-5-2 EN 55011 (Emission): class B |
| MTTF [Years] | | 334 |

Mechanical data

| | | |
|-------------------|--|-----------------|
| Housing materials | | Zinc Alloy; PEI |
| Lens material | | PMMA |

OGH081

OGH-DBOW/LS/CUBE/100MM

Photoelectric sensors

| | | |
|--------|------|-------|
| Weight | [kg] | 0.061 |
|--------|------|-------|

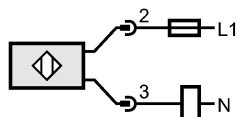
Displays / operating elements

| | | |
|--------------------------|-----|--------|
| Output status indication | LED | yellow |
|--------------------------|-----|--------|

Electrical connection

| | |
|------------|----------------|
| Connection | 1/2" connector |
|------------|----------------|

Wiring



Note: miniature fuse to IEC60127-2 sheet 1, ≤ 2 A (fast acting)

Accessories

| | |
|------------------------|------------|
| Accessories (included) | 1 lock nut |
|------------------------|------------|

Remarks

| | |
|---------|--|
| Remarks | Do not connect without a load *) double insulated |
|---------|--|

| | | |
|---------------|---------|---|
| Pack quantity | [piece] | 1 |
|---------------|---------|---|