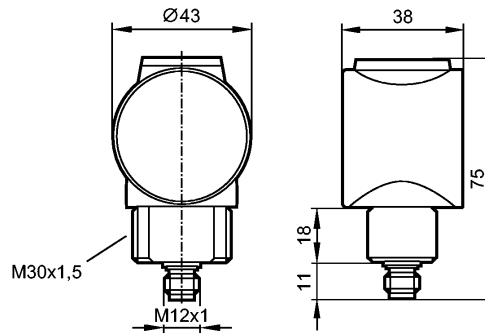


**OIP283**

OIP-HNKG/US/15M

Photoelectric sensors



transmitter in lower lens, Receiver in upper lens

Made in USA



**Product characteristics**

Retro-reflective sensor
Connector
Polarisation filter
Sensing range 0.1...15m (Prismatic reflector $\varnothing 80$ (E20005))

**Electrical data**

Electrical design	DC NPN
Operating voltage [V]	10...30 DC
Current consumption [mA]	20
Type of light	Red light 624 nm
Protection class	III
Reverse polarity protection	yes

**Outputs**

Output function	light-on mode
Voltage drop [V]	< 2.5
Current rating [mA]	200
Short-circuit protection	pulsed
Overload protection	yes
Switching frequency [Hz]	1000

**Range**

Sensing range [m]	0.1...15 (Prismatic reflector $\varnothing 80$ (E20005))
Light spot diameter [mm]	100 x 130 ( Sensing range 5 m )

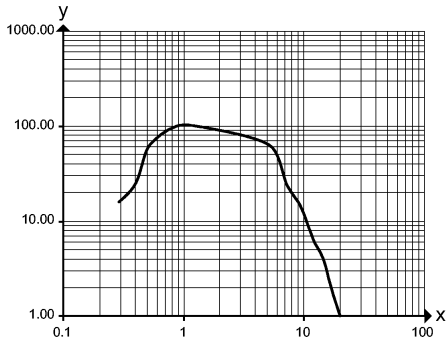
**Excess gain graphs**

x: distance in [m]  
y: excess gain factor

**OIP283**

OIP-HNKG/US/15M

Photoelectric sensors



**Environment**

Ambient temperature	[°C]	-25...60
Protection		IP 67

**Tests / approvals**

EMC		EN 60947-5-2
-----	--	--------------

**Mechanical data**

Housing materials		ZnAl4Cu1
Lens material		PMMA
Weight	[kg]	0.201

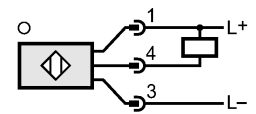
**Displays / operating elements**

Output status indication	LED	yellow
Operation	LED	green

**Electrical connection**

Connection		M12 connector
------------	--	---------------

**Wiring**



**Accessories**

Accessories (included)		1 lock nut
------------------------	--	------------

**Remarks**

Remarks		cULus - Class 2 source required
Pack quantity	[piece]	1