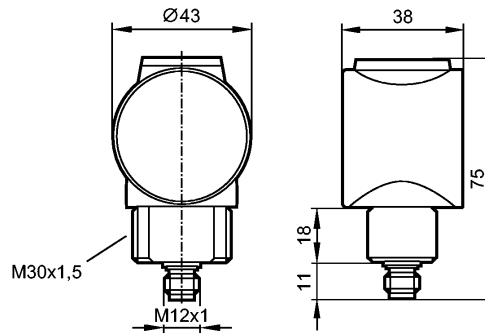


**OIP280**

OIP-DPKG/US/15M

Photoelectric sensors



transmitter in lower lens, Receiver in upper lens

Made in USA



**Product characteristics**

Retro-reflective sensor
Connector
Polarisation filter
Sensing range 0.1...15m (Prismatic reflector $\varnothing 80$ (E20005))

**Electrical data**

Electrical design	DC PNP
Operating voltage [V]	10...30 DC
Current consumption [mA]	20
Type of light	Red light 624 nm
Protection class	III
Reverse polarity protection	yes

**Outputs**

Output function	dark-on mode
Voltage drop [V]	< 2.5
Current rating [mA]	200
Short-circuit protection	pulsed
Overload protection	yes
Switching frequency [Hz]	1000

**Range**

Sensing range [m]	0.1...15 (Prismatic reflector $\varnothing 80$ (E20005))
Light spot diameter [mm]	100 x 130 ( Sensing range 5 m )

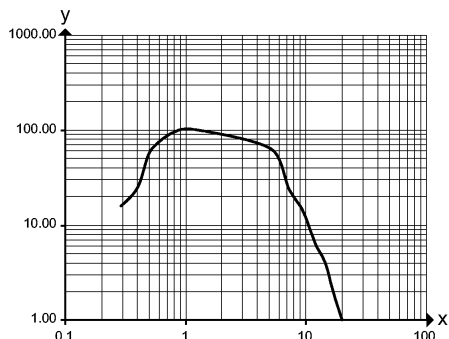
**Excess gain graphs**

x: distance in [m]  
y: excess gain factor

## OIP280

OIP-DPKG/US/15M

Photoelectric sensors



### Environment

Ambient temperature	[°C]	-25...60
Protection		IP 67

### Tests / approvals

EMC		EN 60947-5-2
-----	--	--------------

### Mechanical data

Housing materials		ZnAl4Cu1
Lens material		PMMA
Weight	[kg]	0.206

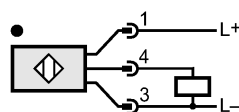
### Displays / operating elements

Output status indication	LED	yellow
Operation	LED	green

### Electrical connection

Connection		M12 connector
------------	--	---------------

### Wiring



### Accessories

Accessories (included)		1 lock nut
------------------------	--	------------

### Remarks

Remarks		cULus - Class 2 source required
Pack quantity	[piece]	1