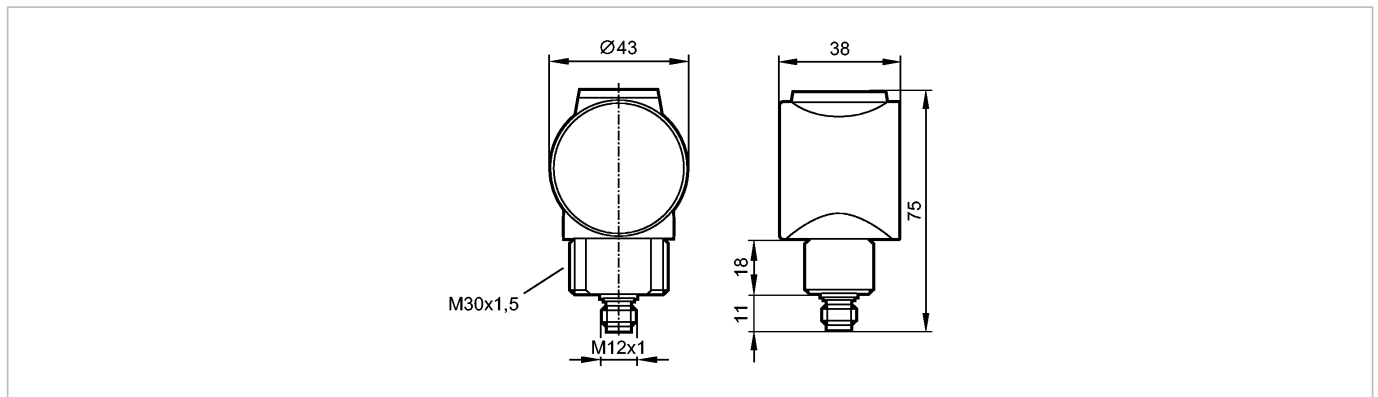


**OIH280**

OIH-HPKG/US/600MM

Photoelectric sensors



Made in USA



Product characteristics	
Diffuse reflection sensor	
Connector	
Background suppression	
Range 600mm (Range referred to white paper 200 x 200 mm, 90 % remission)	
Electrical data	
Electrical design	DC PNP
Operating voltage [V]	10...30 DC; "supply class 2" to cULus.
Current consumption [mA]	35
Type of light	Red light 625 nm
Protection class	III
Reverse polarity protection	yes
Outputs	
Output function	light-on mode
Voltage drop [V]	< 2.5
Current rating [mA]	200
Short-circuit protection	pulsed
Overload protection	yes
Switching frequency [Hz]	300
Range	
Range [mm]	600 (Range referred to white paper 200 x 200 mm, 90 % remission)
- Object white (90 % remission)	600
- Object grey (18 % remission)	596
- Object black (6 % remission)	578
Light spot diameter [mm]	30 ( at maximum range )
Environment	
Ambient temperature [°C]	-25...60
Protection	IP 67
Tests / approvals	
EMC	EN 60947-5-2
Mechanical data	
Housing materials	Zinc Alloy nickel-plated
Lens material	PMMA

**OIH280**

OIH-HPKG/US/600MM

**Photoelectric sensors**

Weight	[kg]	0.2
--------	------	-----

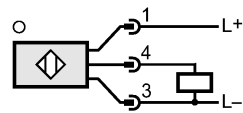
**Displays / operating elements**

Output status indication	LED	yellow
Operation	LED	green

**Electrical connection**

Connection	M12 connector
------------	---------------

**Wiring**



**Accessories**

Accessories (included)	1 lock nut
------------------------	------------

**Remarks**

Pack quantity	[piece]	1
---------------	---------	---