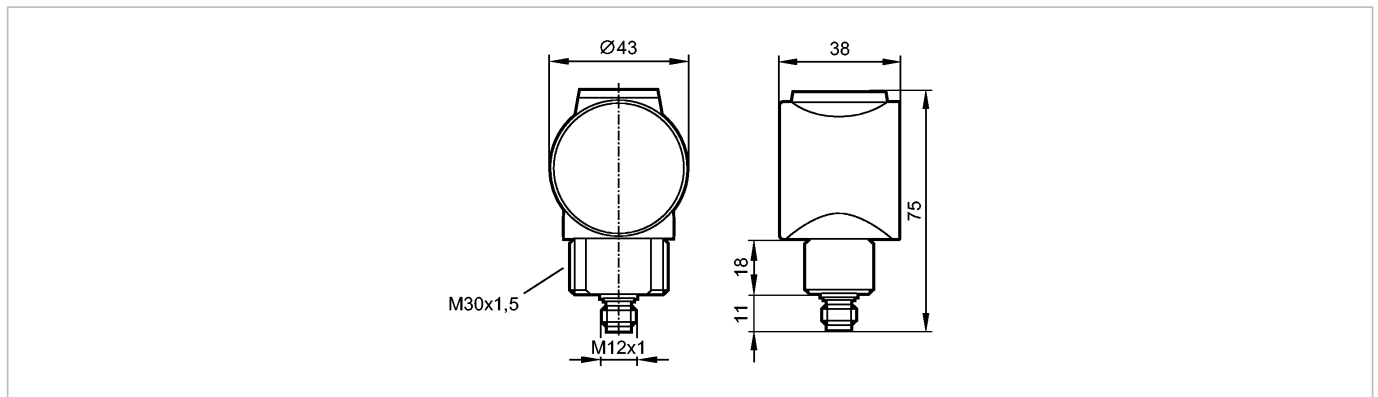


OIH282

OIH-HNKG/US/600MM

Photoelectric sensors



Made in USA



| Product characteristics | |
|--|--|
| Diffuse reflection sensor | |
| Connector | |
| Background suppression | |
| Range 600mm (Range referred to white paper 200 x 200 mm, 90 % remission) | |
| Electrical data | |
| Electrical design | DC NPN |
| Operating voltage [V] | 10...30 DC; "supply class 2" to cULus. |
| Current consumption [mA] | 35 |
| Type of light | Red light 625 nm |
| Protection class | III |
| Reverse polarity protection | yes |
| Outputs | |
| Output function | light-on mode |
| Voltage drop [V] | < 2.5 |
| Current rating [mA] | 200 |
| Short-circuit protection | pulsed |
| Overload protection | yes |
| Switching frequency [Hz] | 300 |
| Range | |
| Range [mm] | 600 (Range referred to white paper 200 x 200 mm, 90 % remission) |
| - Object white (90 % remission) | 600 |
| - Object grey (18 % remission) | 596 |
| - Object black (6 % remission) | 578 |
| Light spot diameter [mm] | 30 (at maximum range) |
| Environment | |
| Ambient temperature [°C] | -25...60 |
| Protection | IP 67 |
| Tests / approvals | |
| EMC | EN 60947-5-2 |
| Mechanical data | |
| Housing materials | Zinc Alloy nickel-plated |
| Lens material | PMMA |

OIH282

OIH-HNKG/US/600MM

Photoelectric sensors

| | | |
|--------|------|-----|
| Weight | [kg] | 0.2 |
|--------|------|-----|

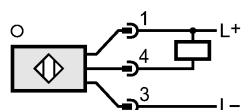
Displays / operating elements

| | | |
|--------------------------|-----|--------|
| Output status indication | LED | yellow |
| Operation | LED | green |

Electrical connection

| | |
|------------|---------------|
| Connection | M12 connector |
|------------|---------------|

Wiring



Accessories

| | |
|------------------------|------------|
| Accessories (included) | 1 lock nut |
|------------------------|------------|

Remarks

| | | |
|---------------|---------|---|
| Pack quantity | [piece] | 1 |
|---------------|---------|---|