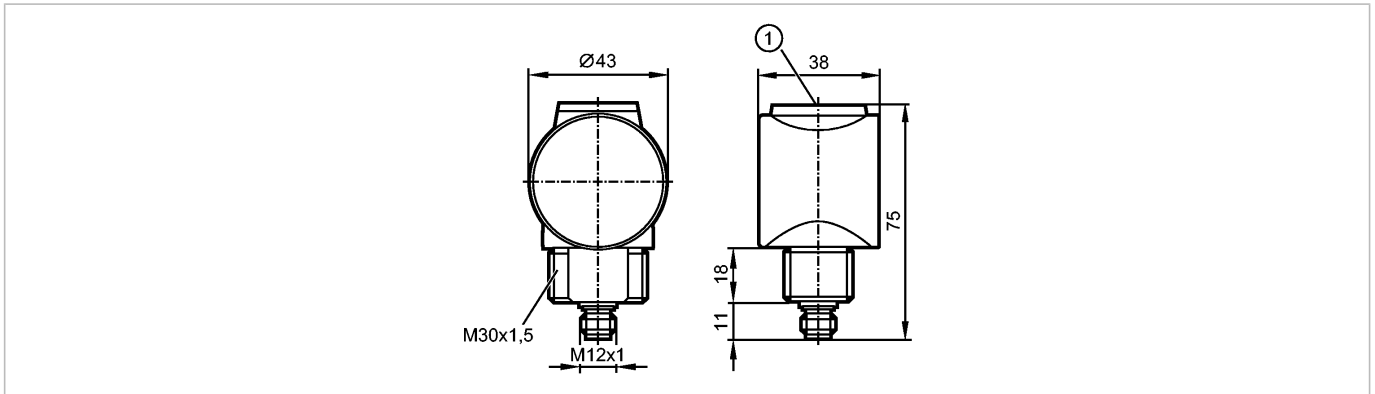


OIH580

OIH-HPKG/US/800MM

Photoelectric sensors



Made in USA



Product characteristics

Diffuse reflection sensor

Connector

Background suppression

Range 50...800mm (+/- 6.0%; referring to white or black paper 200 x 200 mm)

adjustable

Electrical data

Electrical design	DC PNP
Operating voltage [V]	10...30 DC; "supply class 2" to cULus.
Current consumption [mA]	35
Type of light	Red light 625 nm
Protection class	III
Reverse polarity protection	yes

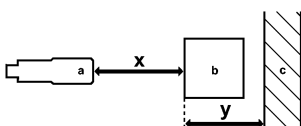
Outputs

Output function	light-on mode
Voltage drop [V]	< 2.5
Current rating [mA]	200
Short-circuit protection	pulsed
Overload protection	yes
Switching frequency [Hz]	300

Range

Range [mm]	50...800 (+/- 6.0%; referring to white or black paper 200 x 200 mm)
Light spot diameter [mm]	55 (at maximum range)

Accuracy graph

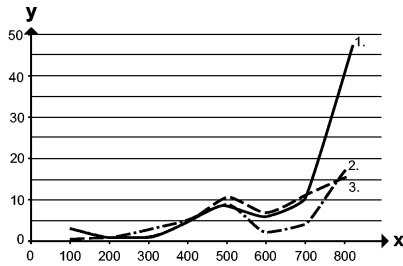


- a: sensor
- b: object
- c: background
- x: distance sensor / object
- y: min. distance object / background

OIH580

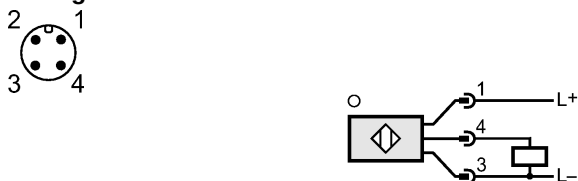
OIH-HPKG/US/800MM

Photoelectric sensors



Values in [mm]

- 1 = object black (6 % remission), background white (90 % remission)
- 2 = object grey (18 % remission), background white (90 % remission)
- 3 = object white (90 % remission), background white (90 % remission)

Environment	
Ambient temperature	[°C] -25...60
Protection	IP 67
Tests / approvals	
EMC	EN 60947-5-2
Mechanical data	
Housing materials	Zinc Alloy nickel-plated
Lens material	PMMA
Weight	[kg] 0.215
Displays / operating elements	
Output status indication	LED yellow
Operation	LED green
Electrical connection	
Connection	M12 connector
Wiring	
	
Accessories	
Accessories (included)	1 lock nut
Remarks	
Pack quantity	[piece] 1