

Type LPA-03 In-Line Fuse Holder 1/4" x 1/4" (6.3 x 30mm) Fuses Splashproof



www.optifuse.com (619) 593-5050

Ratings:

Fuse Type: 1/4" x 1/4" (6.35 x 30mm or 6.35 x 32mm)

Electrical Rating: 30A, 250VAC, 32VDC

Body: Thermoplastic rubber / PVC

Contacts: Brass with tin plated

LPA-03Y

Standard Model with 18AWG wire gauge

LPA-03Y-##

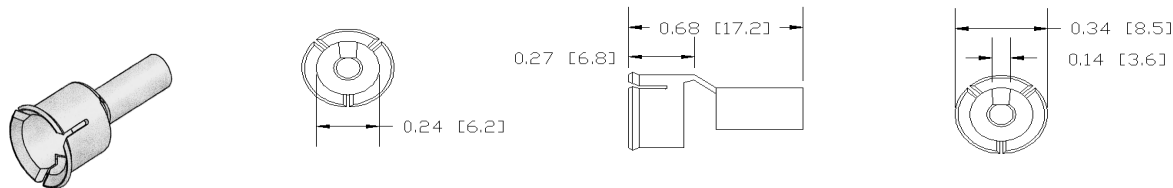
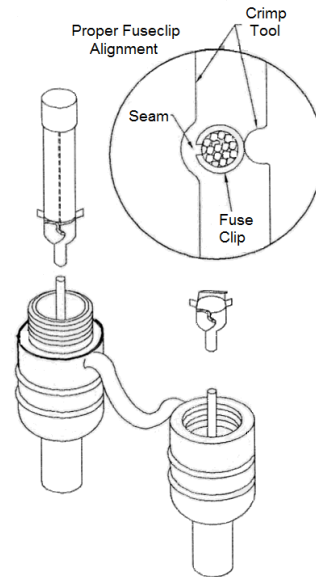
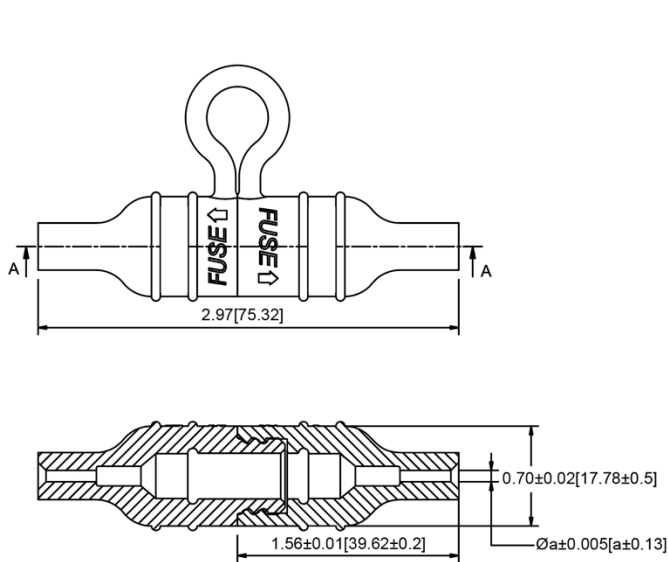
Nonstandard Model Where ## is wire gauge

LPA-03Y-##R

Where ## is pre-installed wire gauge

Wire	amperage rating	Øa
#10	30A	4.4
#12	30A	3.2
#14	20A	3.2
#16	15A	2.8
#18	10A	2.4
#20	7.5A	2.1

Mechanical Dimensions: Inches [mm]



Warning:

- Operation beyond the specified maximum ratings or improper use may result in damage and possible electrical arcing and/or flame.
- Avoid contact of device with chemical solvent. Prolonged contact will damage the device performance.
- Not designed for prolonged liquid exposure or submersible applications.

Disclaimer: Information provided is believed to be accurate and reliable. Users are responsible for confirming the suitability and performance of any OptiFuse product for their particular application. These products may not be appropriate for every use, and proper evaluation is recommended before implementation. For additional information, please visit [optifuse.com/product-disclaimer](https://www.optifuse.com/product-disclaimer). Specifications are subject to change without notice