

User Manual (MQ 01)

► Operating process

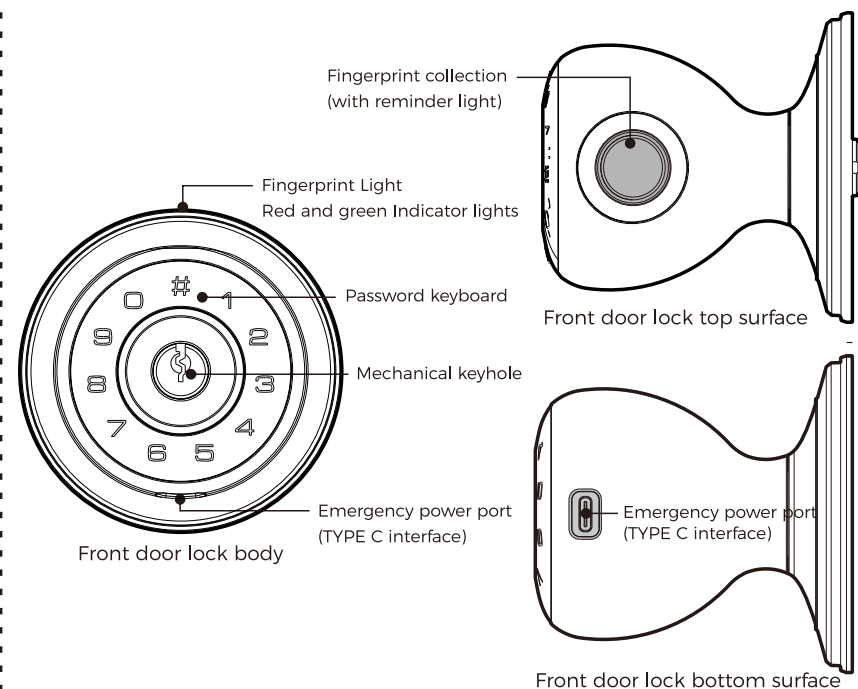
Please read this installation guide thoroughly, and contact customer support for any installation queries.

Warm Tips:Please prepare a cross screwdriver, a drilling machine and 4 AA alkaline batteries before installation. Non-alkaline and rechargeable batteries are “NOT RECOMMENDED.”

- 1 . It is recommended that installation be performed by a professional technician to prevent any potential service charges that may arise from incorrect installation.
- 2 . Please do not scratch the surface with corrosive or sharp objects to avoid damaging the lock.
- 3 .When the battery is running low or the electrical components are malfunctioning, an emergency key can be used to unlock from the outside. Please take good care of the key and keep it in a safe place outdoors .
- 4 . Do not remove the batteries from the lock while it is working.
- 5 . Batteries must be replaced immediately when the lock displays the “The battery is dead”warning.
- 6 .After assembly, the door must remain open to conduct commissioning and initialize parameter settings.
- 7.For new locks that have just left the factory, if the equipment is not bound to a user, the lock can be opened using the keys “123456 + #”.
- 8 . If unlocking when a user has registered with the lock, press a password of 6 to 10 digits followed by the + # key to unlock.

If you encounter any problems, please feel free to contact us.
E-mail us at: zhangzehongdidi@outlook.com

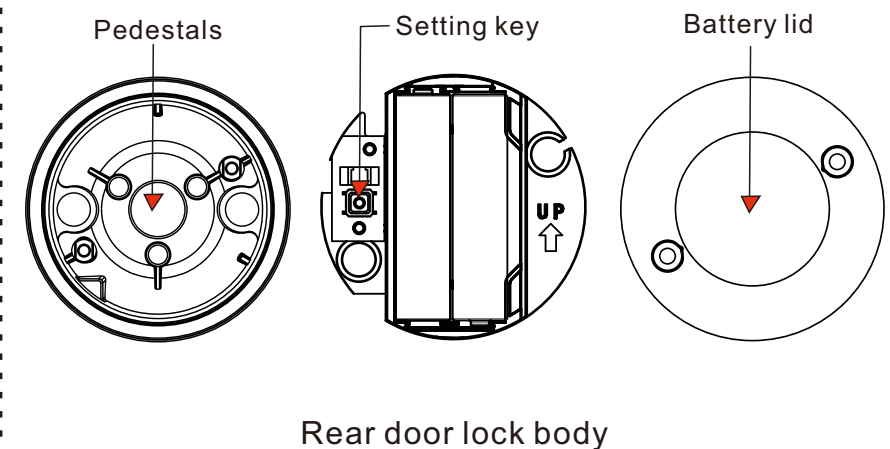
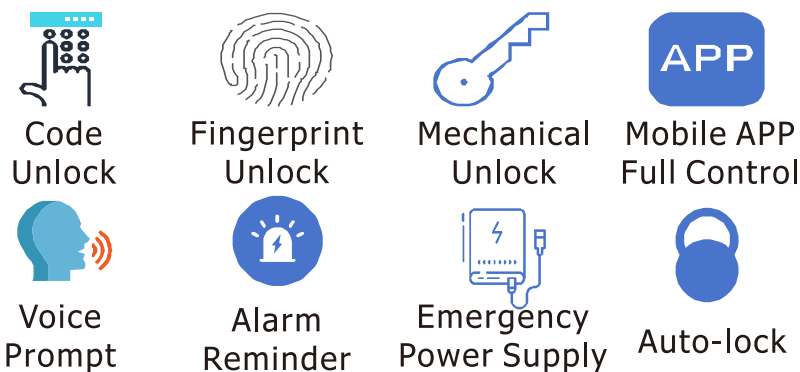
Part1.Appearance Display



Part2.Packing List

No.	Item	Number
1	Exterior Part	1
2	Interior Part	1
3	Latch	1
4	Mechanical Key	2
5	Product & Instllation Manual	2
6	Installation of auxiliary material package	1
7	Drilling Diagram	1

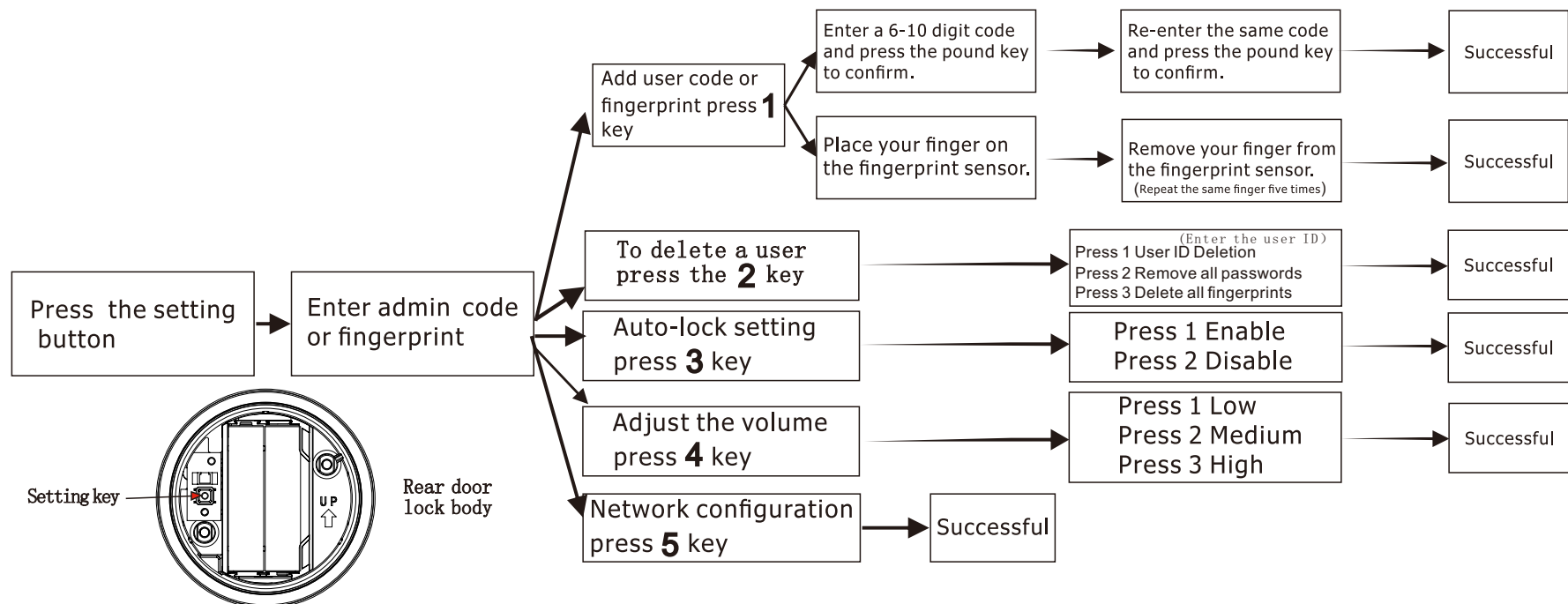
Part3.Feature List



Part5.How to perform local programming

Note:

If door lock management cannot be through the APP, local configuration can be used for basic function settings

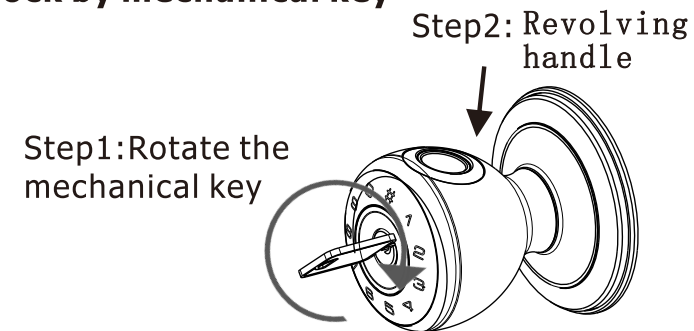


Note:

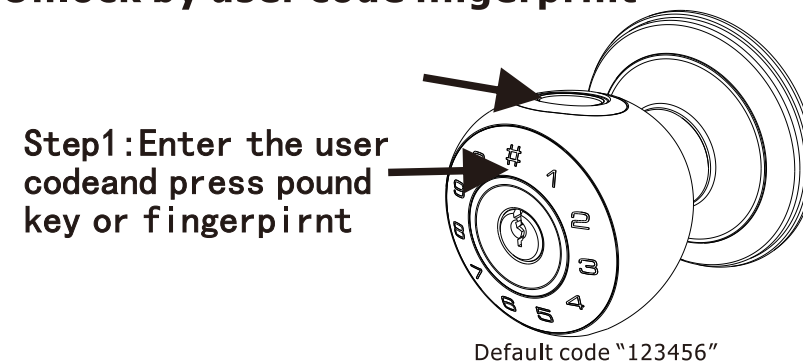
If you have already connected to the network, you need to restore the factory settings before configuring again

Part6.How to unlock outdoor

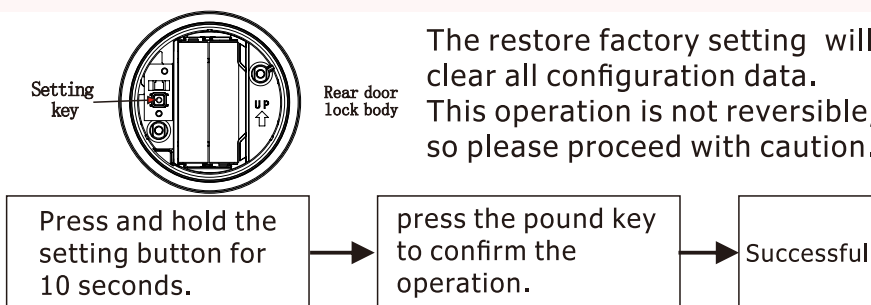
Unlock by mechanical key



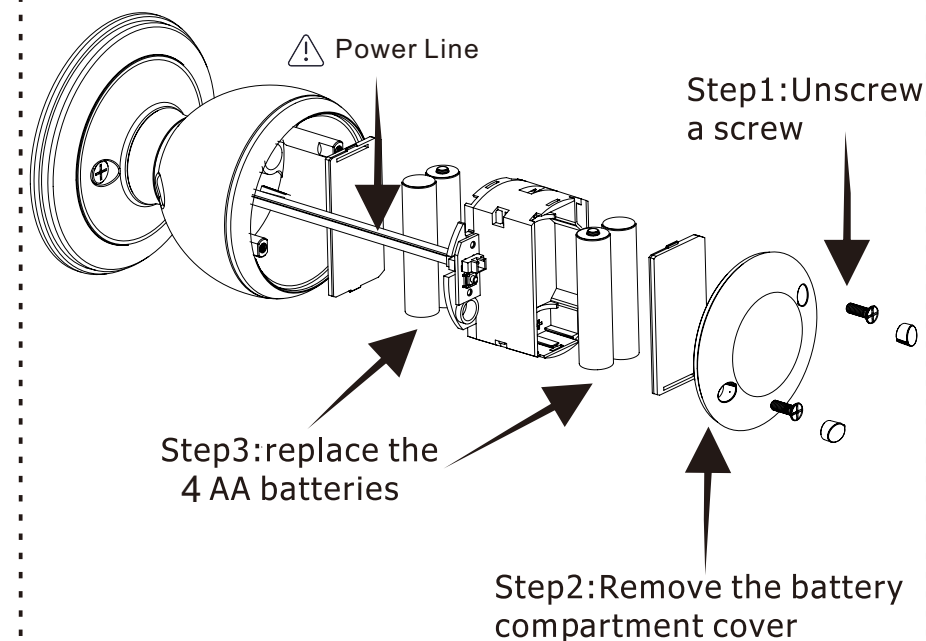
Unlock by user code fingerprint



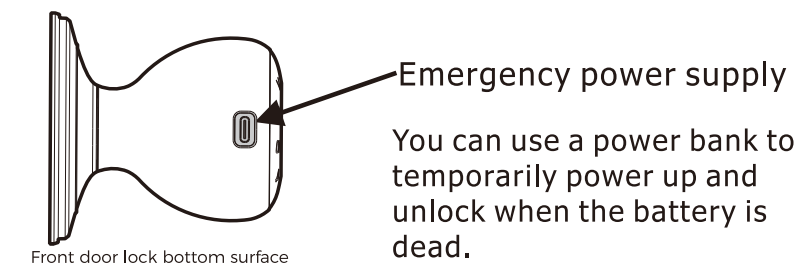
Part7.How to restore factory setting



Part8.How to supply power



! Reminders



Part10.Troubles shooting

Question	Answer
Can not add new user code	<ul style="list-style-type: none"> If 50 groups of normal user code have been added, you can delete the unused user code and add new user code again The new user code is duplicate
Forget password	Restore the factory setting, and then add the user code or fingerprint
Can't hear the voice guidance	Increase volume through function setting
The APP can not add device	<ul style="list-style-type: none"> Restore the factory setting, and try again Check the mobile Bluetooth setting is turn on
The keypad or fingerprint locked	<ul style="list-style-type: none"> Input error reached 5 times, keypad locked, enter user code in 90 seconds Input error reached 10 times, fingerprint module locked, enter fingerprint in 90 seconds
The added finger-print verification	The same fingerprint can be added 2~3 times to improve the verification success rate