

# HID FLOODS FLOODZILLA!



**New Integra Hood for Friendly Lighting.**  
Awesome performance with quality and value from this compact 400 & 250 watt HID flood.

**New!**  
2" Integra Hood reduces light trespass and glare

Better heat sinking of components

Reflector designed for precise beam control

Precision die cast aluminum housing with durable bronze powder coat finish

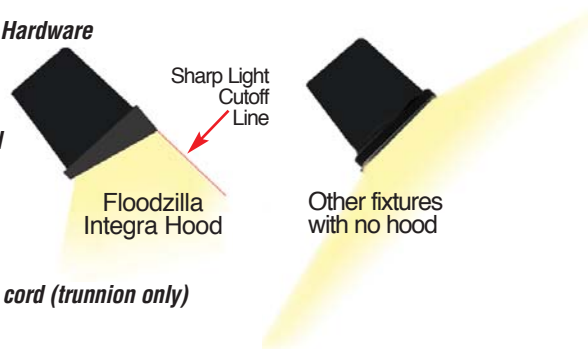
4" and 9" Hoods, Wire Guard and Polycarbonate Shield optional

Stainless Steel External Hardware

Long Life Lamp supplied

Supplied with 3' of STW cord (trunnion only)

Rugged Trunnion or Slip Fitter Mounting



Complies with EISA 2007

Watts	Lamp Type	Lamp Base	Circuit / Voltage
250	ED18	Mogul	CWA HPF QT
400	ED18	Mogul	CWA HPF QT
200	T15	Mogul	CWA HPF QT
250	ED28	Mogul	CWA HPF QT
320	ED28	Mogul	CWA HPF QT
350	ED28	Mogul	CWA HPF QT
400	ED28	Mogul	CWA HPF QT

## Product Information

**High Pressure Sodium**  
Lamp supplied with fixture

**Metal Halide**  
Lamp supplied with fixture  
E = Pulse Start  
PSQ & QT=Quad Tap=120 / 208 / 240 / 277 volts

**Factory Installed Options**  
Add suffix to catalog number

**Accessories for Field Installation**  
Glare hood 4" length  
Glare hood 9" length  
Polycarbonate shield  
Wire Guard

## Specifications

**UL Listing:**  
Suitable for wet locations. Suitable for mounting within 4' of the ground.

**Housing:**  
Precision die cast aluminum

**Reflector:**  
High quality anodized aluminum

**Lens:**  
Tempered thermal shock resistant glass

**Lens Gasket:**  
Molded one-piece silicone in die cast retaining groove to remain in place during relamping.

**Socket:**  
Glazed porcelain 4kv pulse rated with nickel plated screw shell and spring contacts.

**Finish:**  
Chip and fade resistant Bronze polyester powder coat finish.

**Effective Projected Area:**  
Maximum EPA = 1.3  
Maximum EPA with 4" hood = 1.7  
Maximum EPA with 9" hood = 2.0

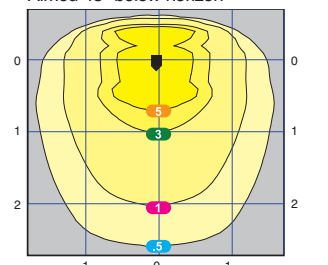
Fixture	lbs	Fixture	lbs
HPS250	33	MH200	30
HPS400	35	MH250	31
		MH320	31
		MH350	31
		MH400	31

**Patents:**  
The design of the Floodzilla is protected by U.S. Patents D547478 and D547477, Canadian Patents D115521 and D115510, China Patents ZL200630133217.6 & ZL200630133221.2, Taiwan patents D121170 & D121172.

**www.rabweb.com**  
Spec sheets • EZ Lighting Layouts  
Photometrics • Wiring Diagrams  
IES Files • Installation Instructions

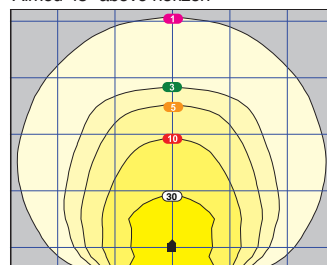
## Photometrics

**Floodlighting**  
400w HPS @ 30' Mounting Height  
Aimed 45° below horizon



Mounting Height	Multiplier	Watts	Multiplier	HPS	MH
15	4.0	200	-	.4	
20	2.3	250	.6	.4	
30	1.0	250	-	.5	
35	.7	320	-	.6	
40	.6	350	-	.7	
		400	-	.7	
		400	1.0	.8	

**Sign & Wall Lighting**  
400w HPS @ 10' Mounting Distance  
Aimed 45° above horizon



Mounting Height	Multiplier	Watts	Multiplier	HPS	MH
5	4.0	200	-	.4	
10	1.0	250	.6	.4	
12	.7	250	-	.5	
15	.4	320	-	.6	
		350	-	.7	
		400	1.0	.7	
		400	-	.8	

## Floodzilla® Trunnion

New clean design, compact, tough and good looking cast aluminum housing with 2" Integra Hood, steel trunnion mount for easy surface mounting and aiming flexibility. Factory wired for 277V. Lamp supplied.

Finish: ● Bronze



## Floodzilla® Slipfitter

Floodzilla with integral slip fitter for O.D 2 3/8" tenon size. Slipfitter joint adjusts over 180° arc. Factory wired for 277V. Lamp supplied.

Finish: ● Bronze



## Floodzilla® Hood, Shield & Guard

Glare Hoods field install in minutes to further reduce glare and light trespass. Available in 4 1/2" or 9" lengths. Guard is chrome plated heavy gauge wire to provide protection.

Glare Hood Finish: ● Bronze

Guard Finish: ● Chrome plated



**Polycarbonate Shield**  
1/4" thick clear polycarbonate shield protects lens and lamp. Standoffs securely attach the shield to the cover in minutes.



**Wire Guard**  
Can be used with 4" & 9" glare hood



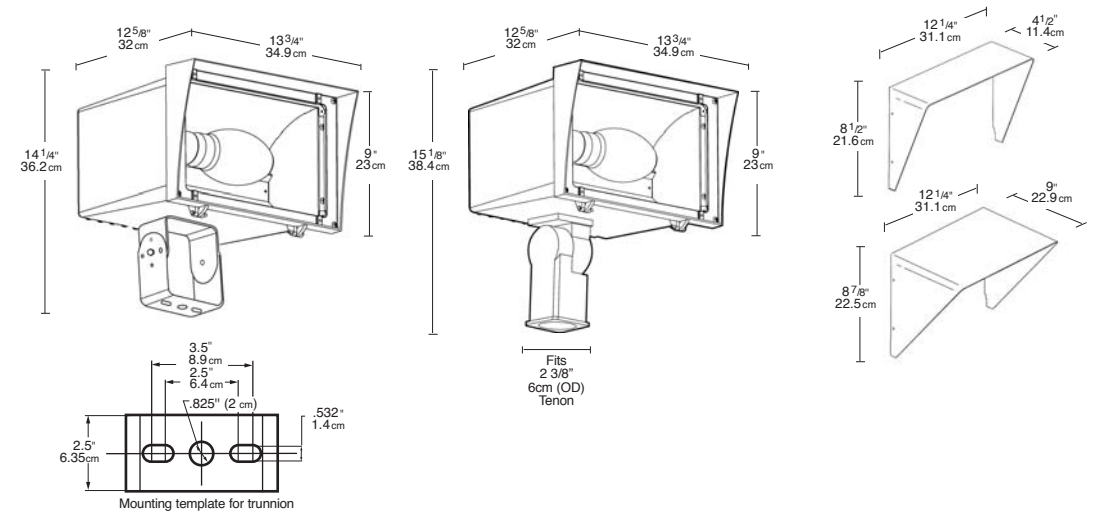
Replacement Lamps	Ballasts
LHPS250	BHPSH250QT
LHPS400	BHPSH400QT
LMH200PS	BMHH200PSQ
LMH250PS	BMHH250PSQ
LMH320PS	BMHH320PSQ
LMH350PS	BMHH350PSQ
LMH400PS	BMHH400PSQ

FZH4 (4" length Glare hood)  
FZH9 (9" length Glare hood)  
GDFZP (Polycarbonate shield)  
GDFZW (Wire Guard)

## Catalog Numbers

FZS250QT	FZS250SFQT
FZS400QT	FZS400SFQT
FZH200PSQ	FZH200SFPSQ
FZH250PSQ	FZH250SFPSQ
FZH320PSQ	FZH320SFPSQ
FZH350PSQ	FZH350SFPSQ
FZH400PSQ	FZH400SFPSQ
/PC	/PC
/PCS	/PCS
/PCT	/PCT
/480	/480

## Dimensions



**Poles, Bullhorns and Mounting Brackets available**  
See pages 84-85

# HID FLOODS MEGAFLUOD®



**Mega performance, quality and value from state-of-the-art 400 & 250 watt HID floods with a full range of mounting options and accessories.**

**Die cast door frame held captive when opened**

**Precision die cast aluminum housing with durable bronze polyester powder coat finish**

**Anodized aluminum reflector adjusts for variable beam spread**

**Lamp supplied**

**Ballast compartment separated by anodized aluminum die formed wall**

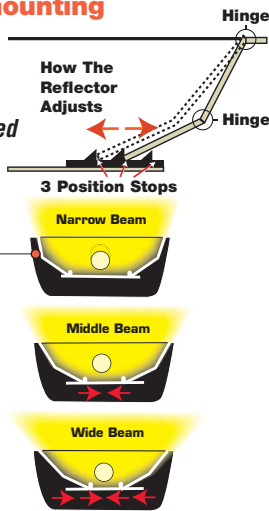
**Silicone gasket for durable weatherproofing & easy relamping**

**Rugged mounting Trunnion or Slipfitter models**

**Quad Tap Ballast standard for 120/208/240/277 volts**

**Stainless steel external hardware**

**Polyester powder coat finish**



Complies with EISA 2007

## Product Information

High Pressure Sodium	Watts	Lamp Type	Lamp Base	Ballast
Lamp supplied with fixture	250	ED18	Mogul	CWA-HPF
	400	ED18	Mogul	CWA-HPF
<b>Metal Halide</b>				
Lamp supplied with fixture	200	ED28	Mogul	CWA HPF QT
	250	ED28	Mogul	CWA HPF QT
	320	ED28	Mogul	CWA HPF QT
	350	ED28	Mogul	CWA HPF QT
	400	ED28	Mogul	CWA HPF QT

**Factory Installed Options**  
Add suffix to catalog number

- Button Photocontrol
- Swivel Photocontrol
- Single fusing for 120 and 277 volt.
- Double fusing for 208 and 240 volt.
- 480 volt ballast (consult factory)
- Wire Guard
- Polycarbonate Shield
- Hoods MEGH4
- MEGH9

**Accessories for Field Installation**  
Add suffix to catalog number

## Specifications

- UL Listing:** Suitable for wet locations. Suitable for mounting within 4' of the ground.
- Housing:** One-piece die cast aluminum with die cast door frame held captive when opened.
- Reflector:** Unique mechanism provides field adjustable beam spread. Patent pending. High quality anodized aluminum eliminates redirected energy to prolong lamp life. Contoured for maximum horizontal and vertical beam dispersion.
- Finish:** Chip and fade resistant Bronze polyester powder coat finish.

- Lens:** Tempered thermal shock resistant glass, 5/32" thick
- Lens Gasket:** High temperature extruded silicone set in die cast retaining groove. Remains in place during relamping.
- Socket:** Porcelain socket pulse rated 4kv, 1500 watts and 600 volts, reinforced with cat's eyes for added durability. Silicone and fiberglass #14 gauge socket leads rated for 200°C. Plated screw shell designed to resist corrosion with spring loaded center contact.
- Effective Projected Area:** Maximum EPA = 2.0  
Maximum EPA with 9" hood = 4.0

Starting Amps / Operating Amps	120V				208V				240V				277V				Input Watts	Lamp ANSI	Lamp Initial Lumens	Lamp Life Hours
	120V	208V	240V	277V	120V	208V	240V	277V	120V	208V	240V	277V	120V	208V	240V	277V				
	1.8/2.5	1.0/1.5	9/1.3	0.8/1.1	3.7/3.8	2.2/2.2	1.1/1.9	1.6/1.7	295	S50	29,000	24,000	464	S51	50,000	24,000				
	1.4/2.0	8/1.2	7/1.0	6/9	232	M136	19,000	15,000	288	M138	22,000	12,000	368	M132	30,000	20,000				
	1.4/2.5	8/1.5	7/1.3	6/1.1	400	M131	33,300	20,000	450	M135	40,000	20,000								
	2.6/3.2	1.5/1.8	1.3/1.6	1.2/1.4	Specify Photocell voltage															
	3.3/3.6	1.9/2.1	1.7/1.8	1.4/1.6																
	3.5/4.0	2.0/2.3	1.8/2.0	1.5/1.8																

## Info Online 24/7

[www.rabweb.com](http://www.rabweb.com)  
Spec sheets • EZ Lighting Layouts  
Photometrics • Wiring Diagrams  
IES Files • Installation Instructions

Weight:	Fixture	lbs	Fixture	lbs
	HPS250	33	MH200	31
	HPS400	36	MH250	34
			MH320	34
			MH350	34
			MH400	34

**Patents:**  
The design of the Megaflod is protected by U.S. Patents D565772 and D570024, Canadian Patents D121989 and D121991, China Patent ZL200730149208.0, Taiwan patent D127426 and patents pending in China and Taiwan.

## Photometrics

See page 170-177 for photometrics



Replacement Lamps	Replacement Ballasts
LHPS250	BHPH250QT
LHPS400	BHPH400QT
LMH175MOG	BMHH175QT
LMH200PS	BMHH200PSQ
LMH250	BMHH250QT
LMH250PS	BMHH250PSQ
LMH320PS	BMHH320PSQ
LMH350PS	BMHH350PSQ
LMH400	BMHH400QT
LMH400PS	BMHH400PSQ

**New!**  
**MegaFlood® Trunnion**  
Megaflod with steel trunnion mount allows easy surface mounting for aiming flexibility. Factory wired with QT CWA-HPF ballast and 3-foot flexible cord. Adjustable aiming over 180° arc. Mounting can be locked securely in place. Factory wired for 277V. Lamp supplied.



Finish: ● Bronze

**New!**  
**MegaFlood® Slipfitter**  
Megaflod with heavy duty, die cast slipfitter for 2 3/8" O.D. tenon size. Slipfitter joint adjusts over 180° arc. Factory wired for 277V. Lamp supplied.

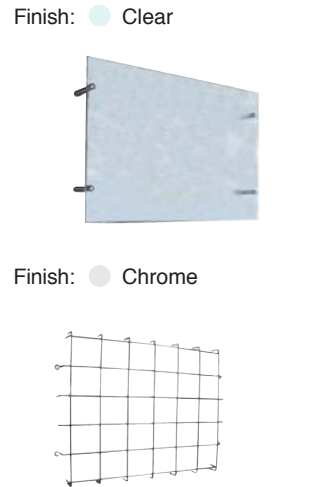


Finish: ● Bronze



Poles, Bullhorns and Brackets available (see page 84-87)

**Shield**  
**MegaFlood® & Guard**  
Clear polycarbonate shield and chrome plated wire guard protects MegaFlood against vandalism and accidental breakage.



Finish: ● Clear

Finish: ● Chrome

**MegaFlood® Hoods**  
Heavy duty hoods cut down on glare and direct light where you need it. Available in 4" and 9" sizes for easy on site installation.



Finish: ● Bronze

## Catalog Numbers

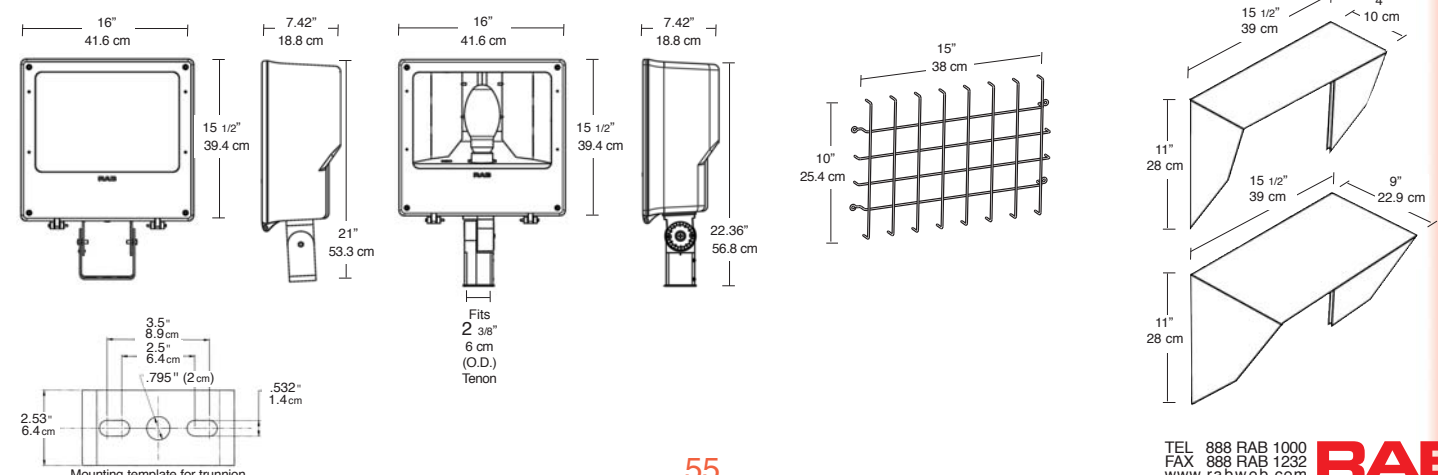
MEGS250QT	/PC
MEGS400QT	/PCS
	/F
	/FF
	/480
	GDMEGW
	GDMEGP
	MEGH4
	MEGH9

MEGS250SFQT	/PC
MEGS400SFQT	/PCS
	/F
	/FF
	/480
	GDMEGW
	GDMEGP
	MEGH4
	MEGH9

	/PC
	/PCS
	/F
	/FF
	/480
	GDMEGW
	GDMEGP
	MEGH4
	MEGH9

	/PC
	/PCS
	/F
	/FF
	/480
	GDMEGW
	GDMEGP
	MEGH4
	MEGH9

## Dimensions



# AREA LIGHTING

AL®



**New!** RAB's Standard Area Light. "AL" offers quality and value for reliable area lighting. Available in pole top, slipfitter and wall mount models.

*Precision die cast aluminum housing and door with durable bronze polyester powder coat finish*

*Sleek smaller volume design lowers EPA*

*Fins to dissipate heat outside the ballast compartment*

*Custom hydroformed reflector*

*Die cast door frame held captive when opened*

*Hinged door with removable stainless steel hinge pins*

*Stainless steel external hardware*

*Fixed Arm for pole mounting or Slipfitter mount*

*Capacitor cradle*

*Silicone gasket for durable weatherproofing & easy relamping*

*Lamp supplied*



Complies with EISA 2007

## Product Information

	Watts	Lamp Type	Lamp Base	Ballast
<b>High Pressure Sodium</b>	250	ED18	Mogul	CWA-HPF
Lamp supplied with fixture	400	ED18	Mogul	CWA-HPF
<b>Metal Halide</b>	ⓔ 200	ED28	Mogul	CWA HPF QT
Lamp supplied with fixture	ⓔ 250	ED28	Mogul	CWA HPF QT
ⓔ = Pulse Start	ⓔ 320	ED28	Mogul	CWA HPF QT
PSQ & QT=Quad Tap=120 / 208 / 240 / 277 volts	ⓔ 350	ED28	Mogul	CWA HPF QT
	ⓔ 400	ED28	Mogul	CWA HPF QT

**Factory Installed Options**  
Add suffix to catalog number

- Button Photocontrol
- Swivel Photocontrol
- Single fusing for 120 and 277 volt.
- Double fusing for 208 and 240 volt.
- 480 volt ballast (consult factory)
- Wire Guard
- Polycarbonate Shield
- Shield

## Accessories for Field Installation

Add suffix to catalog number

## Specifications

**UL Listing:**  
Suitable for wet locations. Suitable for mounting within 4' of the ground.

**Housing:**  
One-piece die cast aluminum with die cast door frame held captive when opened. Removable hinge pins for door removal.

**Reflector:**  
Hydroformed reflector.

**Finish:**  
Chip and fade resistant Bronze polyester powder coat finish.

**Lens:**  
Tempered, thermal shock resistant glass, 5/32" thick

**Lens Gasket:**  
High temperature extruded silicone set in die cast retaining groove. Remains in place during relamping.

**Socket:**  
Porcelain socket pulse rated 4kv, 1500 watts and 600 volts, reinforced with cat's eyes for added durability. Silicone and fiberglass #14 gauge socket leads rated for 200°C. Plated screw shell designed to resist corrosion with spring loaded center contact.

**Mounting Arm:**  
Mounts with two 3/8"-10 threaded rods @2" on center.



### Effective Projected Area:

Maximum EPA  
Fixed Arm: = 1  
Slipfitter: = 2  
With House Side Shield: = 3.2

## Info Online 24/7

[www.rabweb.com](http://www.rabweb.com)  
Spec sheets • EZ Lighting Layouts  
Photometrics • Wiring Diagrams  
IES Files • Installation Instructions

**Patents:**  
The design of the AL Area Light is protected by U.S. Patents D579140, D579141, D587839, Canadian Patents D127031, D127040, Taiwan Patent D129808, Mexico Patent 27395,28396 and patents pending in China, Mexico and Taiwan.

**Weight:**

Fixture	lbs	Fixture	lbs
HPS250	33	MH200	31
HPS400	36	MH250	34
		MH320	34
		MH350	34
		MH400	34

## Photometrics

See pages 170-177 for photometrics

### Replacement Lamps



- LHPS250
- LHPS400
- LMH200PS
- LMH250
- LMH250PS
- LMH320PS
- LMH350PS
- LMH400
- LMH400PS

### Replacement Ballasts



- BHPSH250QT
- BHPSH400QT
- BMHH200PSQ
- BMHH250QT
- BMHH250PSQ
- BMHH320PSQ
- BMHH350PSQ
- BMHH400QT
- BMHH400PSQ

**New!**

## AL® Pole Mount

Type II distribution Area light with pole top fixed arm mount. Fixed mounting @ 90° to pole. Drilling 2" on center. Factory wired for 277V. Lamp supplied.

Finish: ● Bronze



**New!**

## AL® SlipFitter

Type II distribution Area light with slipfitter mount. Mounting can be angled up to widen distribution and locks securely in place. Factory wired for 277V. Lamp supplied.

Finish: ● Bronze



**New!**

## AL® Wall Mount

Type II distribution Area light with wall mount. Fixed mounting @ 90° to wall. Drilling 2" on center. Factory wired for 277V. Lamp supplied.

Finish: ● Bronze  
○ White



## House Side Shield

Heavy duty shield prevents light trespass behind the fixture. Easy field installation.

Finish: ● Bronze



BTA4 - Tenon Adapter

Universal for 4 fixtures w/plugs

MEGH9

## Catalog Numbers

### Bronze

- ALS250QT
- ALS400QT

- ALH200PSQ
- ALH250PSQ
- ALH320PSQ
- ALH350PSQ
- ALH400PSQ

- /PC
- /PCS
- /F
- /FF
- /480
- GDMEGW
- GDMEGP

### Bronze

- ALS250SFQT
- ALS400SFQT

- ALH200SFPSQ
- ALH250SFPSQ
- ALH320SFPSQ
- ALH350SFPSQ
- ALH400SFPSQ

- /PC
- /PCS
- /F
- /FF
- /480
- GDMEGW
- GDMEGP

### Bronze

- ALS250XQT
- ALS400XQT

- ALH200XPSQ
- ALH250XPSQ
- ALH320XPSQ
- ALH350XPSQ
- ALH400XPSQ

- /PC
- /PCS
- /F
- /FF
- /480
- GDMEGW
- GDMEGP

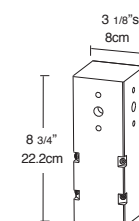
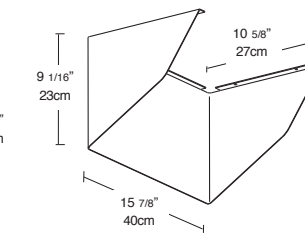
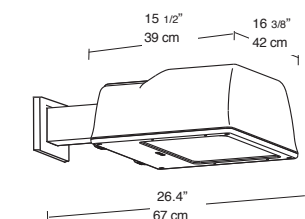
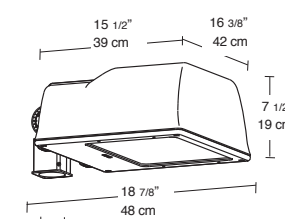
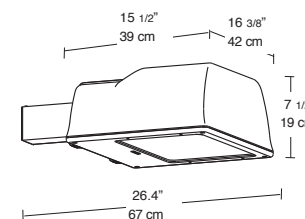
### White

- ALS250XQTW
- ALS400XQTW

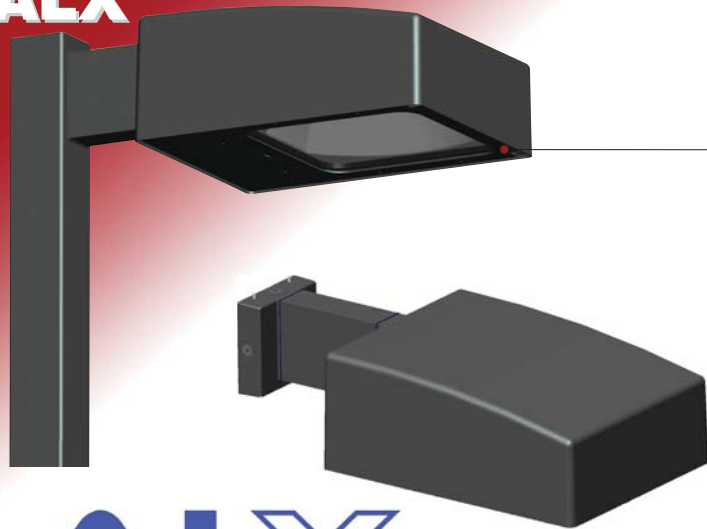
- ALH200XPSQW
- ALH250XPSQW
- ALH320XPSQW
- ALH350XPSQW
- ALH400XPSQW

- /PC
- /PCS
- /F
- /FF
- /480
- GDMEGW
- GDMEGP

## Dimensions



# AREA LIGHTING ALX™



**New!** RAB's high performance Area Light. "ALX" offers extra features, quality and value for reliable area lighting. Available in Wall Mount and Flat Wall Mount and Drilled Pole Mounting models.

Field rotatable optics

Custom hydroformed reflector

Toolless Entry

Precision die cast aluminum housing and door with durable bronze polyester powder coat finish

Sleek smaller volume design lowers EPA

Sealed optical chamber

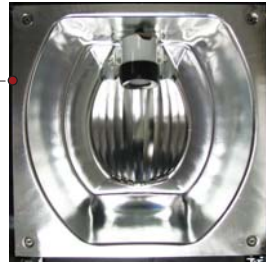
Stainless steel external hardware

Fixed Arm for pole mounting

Silicone lamp retainer keeps lamp in socket

Lamp supplied

Toolless removable ballast tray with quick disconnects



## Product Information

**High Pressure Sodium**  
Lamp supplied with fixture

**Metal Halide**  
Lamp supplied with fixture

Ⓜ = Pulse Start  
PSQ & QT=Quad Tap=120 / 208 / 240 / 277 volts

Watts	Lamp Type	Lamp Base	Ballast
250	ED18	Mogul	CWA-HPFQT
400	ED18	Mogul	CWA-HPFQT
Ⓜ 200	T15	Mogul	CWA HPF QT
Ⓜ 250	ED28	Mogul	CWA HPF QT
Ⓜ 320	ED28	Mogul	CWA HPF QT
Ⓜ 350	ED28	Mogul	CWA HPF QT
Ⓜ 400	ED28	Mogul	CWA HPF QT

**Factory Installed Options**  
Add suffix to catalog number

Button Photocontrol  
Swivel Photocontrol  
Twistlock Photocontrol  
Single fusing for 120 and 277 volt.  
Double fusing for 208 and 240 volt.  
480 volt ballast (consult factory)

**Accessories for Field Installation**

Wire Guard  
House Side Shield

## Specifications

**UL Listing:**  
Suitable for wet locations. Not suitable for mounting within 4' of the ground.

**Housing:**  
One-piece die cast aluminum with die cast door frame

**Reflector:**  
Hydroformed reflector.

**Finish:**  
Chip and fade resistant Bronze polyester powder coat finish.

**Lens:**  
Thermal, tempered shock resistant glass, 5/32" thick

**Lens Gasket:**  
EPDM gasket seals optical chamber preventing dirt and rust

**Socket:**  
Porcelain socket pulse rated 4kv, 1500 watts and 600 volts, reinforced with cat's eyes for added durability. Silicone and fiberglass #14 gauge socket leads rated for 200°C. Plated screw shell designed to resist corrosion with spring loaded center contact.

**Mounting Arm:**  
Mounts with two 3/8 threaded rods @2" on center.



**Effective Projected Area:**  
Maximum EPA  
Fixed Arm =1.8  
w/ House side shield = 3.0

## Info Online 24/7

[www.rabweb.com](http://www.rabweb.com)  
Spec sheets • EZ Lighting Layouts  
Photometrics • Wiring Diagrams  
IES Files • Installation Instructions

**Patents:**  
The design of the ALX Area Light is protected by U.S. patent D591,445, Canada Patent D127,045, Mexico Patent 28577 and patents pending in the U.S., China and Taiwan.

**Weight:**

Fixture	lbs	Fixture	lbs
HPS250	39	MH200	40
HPS400	43	MH250	40
		MH320	39
		MH350	38
		MH400	39

## Photometrics

See pages 170-177 for photometrics

**Replacement Lamps**



LHPS250  
LHPS400  
LMH200PS  
LMH250PS  
LMH320PS  
LMH350PS  
LMH400PS

**Replacement Ballasts**



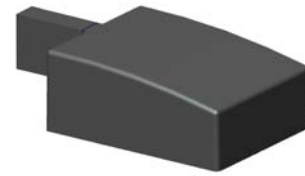
BHPS250T  
BHPS400T  
BMH200T  
BMH250T  
BMH320T  
BMH350T  
BMH400T

**New!**

## ALX™ Pole Mount

Performance Area light for drilled poles. Fixed mounting @90° to pole. Drilled 2" on center. Factory wired for 277V. Lamp supplied.

Finish: ● Bronze



## Catalog Numbers

**Bronze**

ALXS250QT  
ALXS400QT  
ALXH200PSQ  
ALXH250PSQ  
ALXH320PSQ  
ALXH350PSQ  
ALXH400PSQ

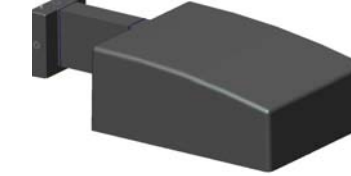
/PC  
/PCS  
/PCT  
/F  
/FF  
/480  
GDALXW

**New!**

## ALX™ Wall Mount

Performance Area light with wall mount. Mounting arm is 10" long. Tether included for support during installation. Factory wired for 277V. Lamp supplied.

Finish: ● Bronze



**Bronze**

ALXS250XQT  
ALXS400XQT  
ALXH200XPSQ  
ALXH250XPSQ  
ALXH320XPSQ  
ALXH350XPSQ  
ALXH400XPSQ

/PC  
/PCS  
/PCT  
/F  
/FF  
/480  
GDALXW

**New!**

## ALX™ Flat Wall Mount

Performance Area light with flat wall mount. Mounting arm is 2" long. Tether included for support during installation. Factory wired for 277V. Lamp supplied.

Finish: ● Bronze



**Bronze**

ALXS250FXQT  
ALXS400FXQT  
ALXH200FXPSQ  
ALXH250FXPSQ  
ALXH320FXPSQ  
ALXH350FXPSQ  
ALXH400FXPSQ

/PC  
/PCS  
/PCT  
/F  
/FF  
/480  
GDALXW

## House Side Shield

Heavy duty shield prevents light trespass behind the fixture. Easy field installation.

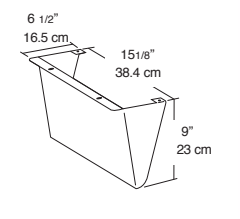
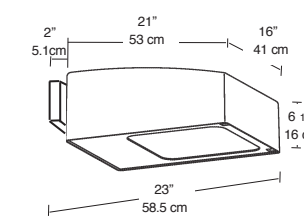
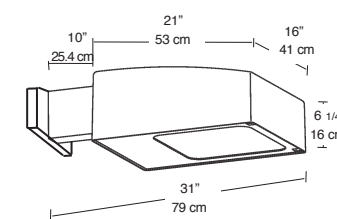
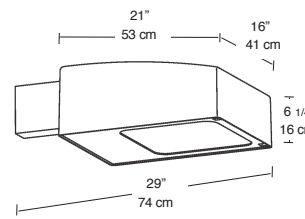
Finish: ● Bronze



**Bronze**

ALXHS9

## Dimensions



# DESIGN DATA

## Lamps & Ballasts

### Metal Halide BALLASTS

RAB Catalog #	Watts	Type	Input		Starting Amps / Operating Amps				
			Watts	Volts	120V	208V	240V	277V	480V
BMHN50	50	HX-NPF	69	120V	2/1.6				
BMHN50/277	50	R-NPF	62	277V				.7/1.7	
BMHH50	50	HX-HPF	69	120V	.8/0.7				
BMH50QT	50	HX-HPF	72	QT	.6/1.6	.4/1.4	.3/1.3	.3/1.3	
BMHN70	70	HX-NPF	94	120V	2.5/2.1				
BMHH70	70	HX-HPF	94	120V	1/1.9				
BMHN70/277	70	R-NPF	85	277V				1.2/1.9	
BMHH70/277	70	R-HPF	85	277V				.5/1.4	
BMHH70DT	70	HX-HPF	88	DT	.6/1.8			.3/1.4	
BMHH70QT	70	HX-HPF	90	QT	.6/1.9	.3/1.5	.3/1.5	.3/1.4	
BMHN100/277	100	R-NPF	118	277V				1.3/1.1	
BMHH100/277	100	R-HPF	118	277V				.7/1.5	
BMHH100DT	100	HX-HPF	129	DT	1.2/1.2			.6/1.5	
BMHH100QT	100	HX-HPF	129	QT	1.2/1.2	.7/1.7	.7/1.8	.6/1.5	
BMHH100/480	100	HX-HPF	132	480V					.3/1.3
BMHH125PSQ	125	CWA-HPF	150	QT	.9/1.3			.4/1.6	
BMHH150QT	150	HX-HPF	185	QT	1/1.6	.6/1.9	.5/1.8	.5/1.7	
BMHH150PSQ	150	HX-HPF	185	QT	1.3/1.6	1/1	.7/1.8	.6/1.7	
BMHH175/480	150/175	CWA-HPF	185/210	480V					.4/1.5
BMHH175	150/175	CWA-HPF	185/210	120V	1.3/1.8				
BMHH175QT	150/175	CWA-HPF	185/210	QT	1.3/1.8	.8/1.1	.7/1.9	.6/1.8	
BMHH175/480	150/175	CWA-HPF	185/210	480V					.4/1.5
BMHH175PSQ	175	CWA-HPF	208	QT	1/1.9	.6/1.1	.5/1	.5/1.8	
BMHH200PSQ	200PS	CWA-HPF	232	QT	1.4/2	.8/1.2	.7/1	.6/1.9	
BMHH200PSQ	200PS	CWA-HPF	232	QT	1.4/2	.8/1.2	.7/1	.6/1.9	
BMHH250QT	250	CWA-HPF	298	QT	2.2/2.5	1.3/1.5	1.1/1.3	1/1.1	
BMHH250/480	250	CWA-HPF	295	480V					.6/1.7
BMHH250PSQ	250PS	CWA-HPF	288	QT	1.4/2.5	.8/1.5	.7/1.3	.6/1.1	
BMHH320PSQ	320PS	CWA-HPF	368	QT	2.5/3.2	1.5/1.8	1.3/1.6	1.1/1.4	
BMHH350PSQ	350PS	CWA-HPF	400	QT	3.3/3.6	1.9/2.1	1.7/1.8	1.4/1.6	
BMHH400QT	400	CWA-HPF	458	QT	3.5/4	2/2.3	1.8/2	1.5/1.8	
BMHH400QT	400	CWA-HPF	458	QT	3.5/4	2/2.3	1.8/2	1.5/1.8	
BMHH400/480	400	CWA-HPF	462	480V					.9/1
BMHH400/480	400	CWA-HPF	462	480V					.9/1
BMHH400PSQ	400PS	CWA-HPF	450	QT	3.5/4	2/2.3	1.8/2	1.5/1.8	
BMHH1000QT	1000	CWA-HPF	1080	QT	7.8/9	4/5.2	3.7/4.5	3.2/3.9	1.9/
BMHH1000/480	1000	CWA-HPF	1080	480V					2.3

### Induction\*\*

BQL55	55	E-HPF	60	120V	.5				
BQL85	85	E-HPF	96	120V	.7				

\*\* It is recommended that the complete system be changed when relamping including the Generator, Power Coupler and Vessel



**PULSE START**  
High Efficiency Metal Halide  
Complies with EISA 2007

### Metal Halide LAMPS

RAB Catalog #	Watts	Base	ANSI Code	Type	Initial Lumens	Life Hours	Burn Position
"	"	"	"	"	"	"	U
"	"	"	"	"	"	"	U
LMH70	70	Medium	M98	ED17	5,600	15,000	U
"	"	"	"	"	"	"	U
"	"	"	"	"	"	"	U
LMH100	100	Medium	M90	ED17	9,000	15,000	U
"	"	"	"	"	"	"	U
LMH125PS	125	Medium	M150	ED17	12,000	15,000	BU90
LMH150	150	Medium	M107	ED17	13,500	19,000	U
LMH150PS	150	Medium	M102	ED17	14,000	15,000	U
LMH175	150	Medium	M102	EDX17	13,300	15,000	U
LMH175	175	Medium	M57	ED17	14,000	10,000	U
"	"	"	"	"	"	"	U
LMH200PS	200	Mogul	M136	ED28	21,000	15,000	H75
"	"	"	"	"	"	"	U
LMH250	250	Mogul	M58	ED28	21,000	10,000	U
"	"	"	"	"	"	"	U
LMH250PS	250	Mogul	M138/153	ED28	25,000	15,000	H75
LMH320PS	320	Mogul	M132/M154	ED28	31,000	20,000	H75
LMH350PS	350	Mogul	M131	ED28	35,000	20,000	H75
LMH400Z	400	Mogul	M59	ED28	36,000	20,000	U
LMH400Z	400	Mogul	M59	ED28	36,000	20,000	U
LMH400Z	400	Mogul	M59	ED28	36,000	20,000	U
LMH400PS	400	Mogul	M135/M155	ED28	40,000	20,000	H75
LMH1000	1000	Mogul	M47	BT56	110,000	12,000	U
LMH1000	1000	Mogul	M47	BT56	110,000	12,000	U

### Incandescent

LQ155	55	**	**	**	3,500	100,000	
LQ185	85	**	**	**	6,000	100,000	
LI75	75	Medium		A19	1,200	750	
LI100	100	Medium		A19	1,730	750	
LI150	150	Medium		A21	2,850	750	
LI200	200	Medium		A23	3,850	750	
LI300	300	Medium		PS25	6,280	750	

### Burn Position Key

U = Universal  
BU = Base Up  
BU90 = Base Up +/- 90°  
H75 = Horizontal +/- 75°

### High Pressure Sodium BALLASTS

RAB Catalog #	Watts	Type	Input		Starting Amps / Operating Amps				
			Watts	Volts	120V	208V	240V	277V	480V
BHPSN35	35	R-NPF	46	120V	1.4/1.9				
BHPSH35	35	R-HPF	46	120V	.8/1.4				
BHPSN50	50	R-NPF	62	120V	1.8/1.2				
BHPSH50	50	R-HPF	62	120V	1/1.6				
BHPSH50DT	50	HX-HPF	66	DT	.65/1.61			.3/1.3	
BHPSN70	70	R-NPF	86	120V	2.1/1.6				
BHPSH70	70	R-HPF	86	120V	.9/1.8				
BHPSH70DT	70	HX-HPF	91	DT	.8/1.9			0.4/0.4	
BHPSH70QT	70	HX-HPF	91	QT	.8/1.9	0.5/0.5	0.4/0.4	0.4/0.4	
BYHPS70	70	R-NPF	86	120V	2.1/1.6				
BHPSN100	100	R-NPF	115	120V	3.1/2.1				
BHPSH100	100	R-HPF	115	120V	1.5/1.1				
BHPSH100DT	100	HX-HPF	130	DT	1.3/1.2			.6/1.5	
BHPSH100QT	100	HX-HPF	130	QT	1.3/1.2	.8/1.7	.7/1.6	.6/1.5	
BHPSN150	150	R-NPF	170	120V	4.5/3.2				
BHPSH150	150	R-HPF	170	120V					
BHPSH150DT	150	HX-HPF	188	DT				.9/0.8	
BHPSH150QT	150	HX-HPF	188	QT	2/1.7	1.2/1	1/1.9	.9/1.8	
BHPSH150/480	150	CWA-HPF	188	480V					.3/1.5
BYHPS150	150	R-NPF	170	120V	4.5/3.2				
BHPSH250QT	250	CWA-HPF	295	QT	1.7/2.5	1/1.5	.8/1.3	.7/1.1	
BHPSH250/480	250	CWA-HPF	310	480V					.4/1.7
BHPSH400QT	400	CWA-HPF	464	QT	3.3/3.8	1.8/2.2	1.5/1.9	1.4/1.7	.8/1
BHPSH400/480	400	CWA-HPF	464	480V					
BHPSH1000QT	1000	CWA-HPF	1100	QT	6.4/9.5	3.8/5.5	3.2/4.8	2.8/4.2	
BHPSH1000/480	1000	CWA-HPF	1100	480V					1.6/2.3

### Mercury Vapor

BYM175	175	R-NPF	215	120V	3.5/1.8				
--------	-----	-------	-----	------	---------	--	--	--	--

### Fluorescent

BCFL7	7	NPF	9	120V	.2				
BCFL9	9	NPF	10	120V	.2				
BCFL13	13	NPF	17	120V	.3				
BCFL13	13	NPF	17	120V	.3	.1	.1	.1	
BCFL13-4E	13	E-HPF	16	120-277V	.2				
BCFL22	22	NPF	25	120V	.7				
BCFL28	28	NPF	32	120V	.6				
BCFL26	26	E-HPF	29	120-277V	.3	.2	.2	.2	
BCFL26	2X26	E-HPF	54	120-277V	.5	.3	.3	.2	
BCFL42	32	E-HPF	36	120-277V	.4	.2	.2	.2	
BCFL42	42	E-HPF	46	120-277V	.4	.3	.2	.2	
BCFL2X42	2X42	E-HPF	93	120-277V	.8	.5	.5	.4	
BYCFL65	65	E-HPF		120V	.9				
BCFL120	60	E-HPF	70	120-277V	.6	.5	.4	.3	
BCFL120	85	E-HPF	98	120-277V	.9	.8	.7	.5	
BCFL120	120	E-HPF	139	120-277V	1.2	1	.8	.6	

### Self Ballasted Fluorescent

LFS13	13	Elec		120V	.19				
LFS23	23	Elec		120V	.35				



**SELF-BALLASTED CFL**  
Saves Energy  
Saves Money!

### High Pressure Sodium LAMPS

RAB Catalog #	Watts	Base	ANSI Code	Type	Initial Lumens	Life Hours
"	"	"	"	"	"	"
LHPS50	50	Medium	S68	ED17	4,000	24,000
"	"	"	"	"	"	"
LHPS70	70	Medium	S62	ED17	6,300	24,000
"	"	"	"	"	"	"
LHPS100	100	Medium	S54	ED17	9,500	24,000
"	"	"	"	"	"	"
LHPS150	150	Medium	S55	ED17	16,000	24,000
"	"	"	"	"	"	"
LHPS250	250	Mogul	S50	ED18	27,000	24,000
"	"	"	"	"	"	"
LHPS400	400	Mogul	S51	ED18	50,000	24,000
"	"	"	"	"	"	"
LHPS1000	1000	Mogul	S52	ED25	140,000	24,000
"	"	"	"	"	"	"

LMV175	175	Mogul	H39	ED28	7,900	24,000
--------	-----	-------	-----	------	-------	--------

LCFL7T	7	Twin		G23	400	10,000
LCFL9Q	9	Quad		G23	525	10,000
LCFL13T	13	Twin		GX23	825	10,000
LCFL13Q	13	Quad - 2 pin		GX23-2	860	10,000
LCFL13Q-4P	13	Quad - 4 pin		GX24q-1	900	10,000
LCFL13Q-VBF						
LCFL22Q	22	Quad		GX32d-2	1,200	10,000
LCFL28Q	28	Quad		GX32d-3	1,600	10,000
LCFL26	26	Triple		GX24q-3	1,800	12,000
"	"	"	"	"	"	"
LCFL32	32	Triple		GX24q-3	2,400	12,000
LCFL4						