



UNION™

Flood Light



SKU	DLC Model #
156998-1	BLT-FL21-500WBH6SA1-BR3NP10SPWR50

The UNION Flood Light is Beyond LED Technology's most advanced and versatile flood lighting solution for 2025, delivering an impressive output of up to 77,500 lumens. With adjustable wattages from 300W to 500W and a color temperature range of 3000K to 5000K, it offers exceptional flexibility for a wide range of outdoor lighting needs. Engineered to replace traditional metal halide fixtures of 1,500W to 2,000W, the UNION sets a new standard in power and performance. Its most groundbreaking feature is the tool-free beam angle adjustability while typical flood lights require lens replacements to change beam angles, the UNION allows quick adjustments to 55°, 75°, or 90° with just a screwdriver, enabling precise control and minimizing installation labor. It includes three mounting options Universal Bracket (for poles), U-Bracket, and Yoke Mount making it highly adaptable for both building and pole installations. Perfect for security and area lighting, the UNION is ideal for illuminating parking lots, warehouses, signage, driveways, and is especially well-suited for small stadiums, tennis courts, and pickleball courts where powerful, focused lighting is essential.

Product Features

- Up to 155 lm/W
- Adjustable Wattage
- Adjustable CCT
- Optional screw-in photocell
- 0-10V Dimmable
- Adj. beam angles 55°/75°/90°
- Built-in 10KV surge protector
- Yoke Mount, Universal Bracket & U-Bracket Included
- Bronze housing
- Input voltage 120-277VAC
- UL & DLC listed
- 5-year warranty

UNION™

Flood Light



SKU	ADJ. WATT	MAX LUMENS	ADJ. CCT	INPUT VOLTAGE	CRI	LIGHT SPREAD	CONSTRUCTION	DIMMING	IP RATING	CERTIFICATIONS
156998-1	300W/400W/ 500W	77500	3K/4K/5K	120-277V	>80	55°/75°/90°	Die-cast Aluminum+ clear Tempered glass	0-10V	IP65	UL & DLC

SKU: 156998-1 Specifications

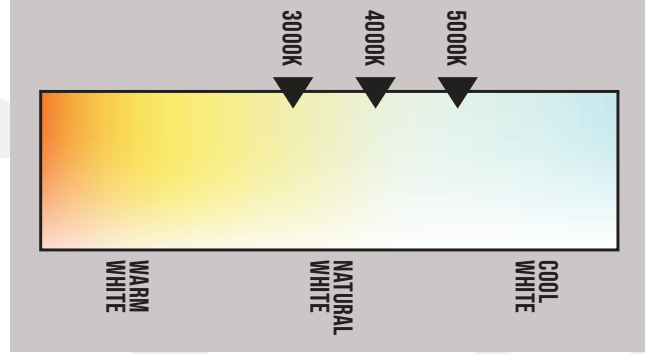
Parameter	Description	Value
General Performance	Adjustable Watt	300W / 400W / 500W
	Max Lumens	77500
	Lumen Efficacy	Up to 155LM/W
	Color Temperature	3000K / 4000K / 5000K
	CRI (Ra)	>80
	Light Spread	55° / 75° / 90°
	Input Voltage	120-277Vac
	Distribution Pattern	Clear Tempered Glass
Electrical	Frequency	50/60Hz
	Dimming	0-10V
	PF (Tolerance: -3%)	≥0.9
	THD (Tolerance : +5%)	≤20%
	Flicker Percent	<5%
	Driver Brand	SOSEN
	Driver Model	SS-240NH-E260BH*2 or SS-240NH-E260BHB*2
	Driver Surge Protection	L/N-PE: 6kV, L-N: 6kV
Physical	Operating Temperature	-40°C TO 50°C
	Storage Temperature	-40°C TO 80°C
	Operating Humidity	20% - 90% RH
	Storage Humidity	20% - 90% RH
	LED Brand	Lumileds
	LED Type	SMD2835
	LED QTY	864PCS
	Construction	Die-cast aluminum
Qualification	Housing Color	Bronze
	IP Rating	IP65
	Warranty	5 Year warranty

FLOOD LIGHT



UNION™ Flood Light

Correlated Color Temperature (CCT)



Brackets Included



Universal Bracket
Included

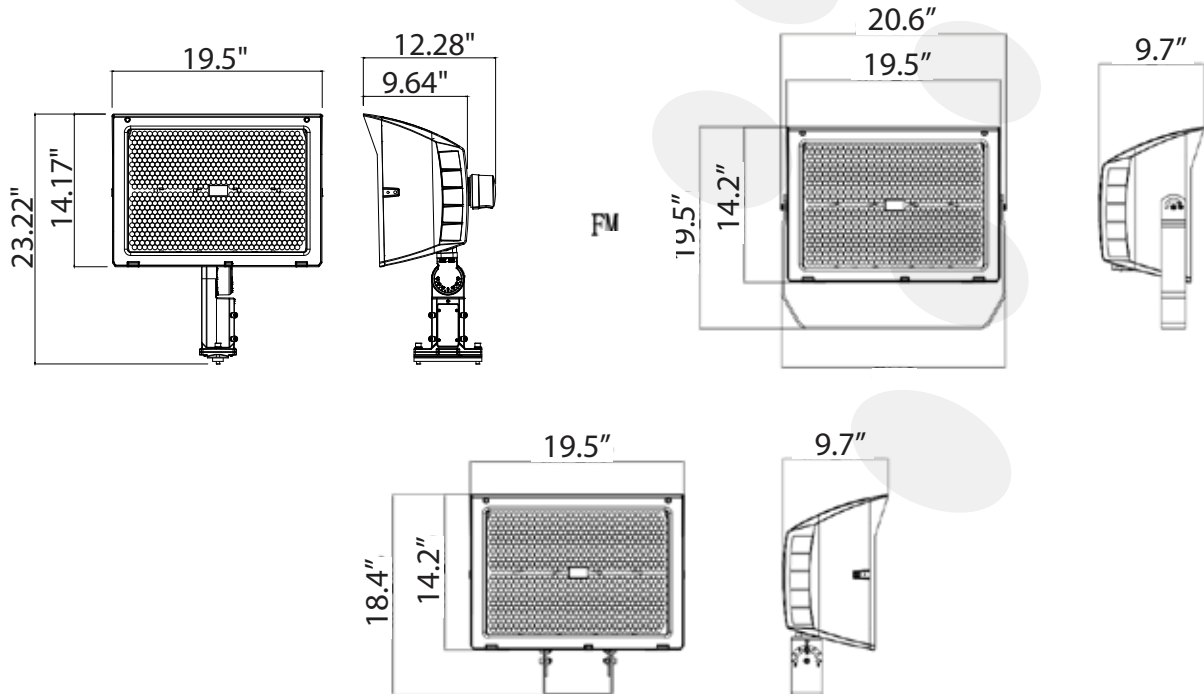


Yoke Mount
Included



U-Bracket
Included

Dimensions



UNION™ Flood Light



Product Appearance



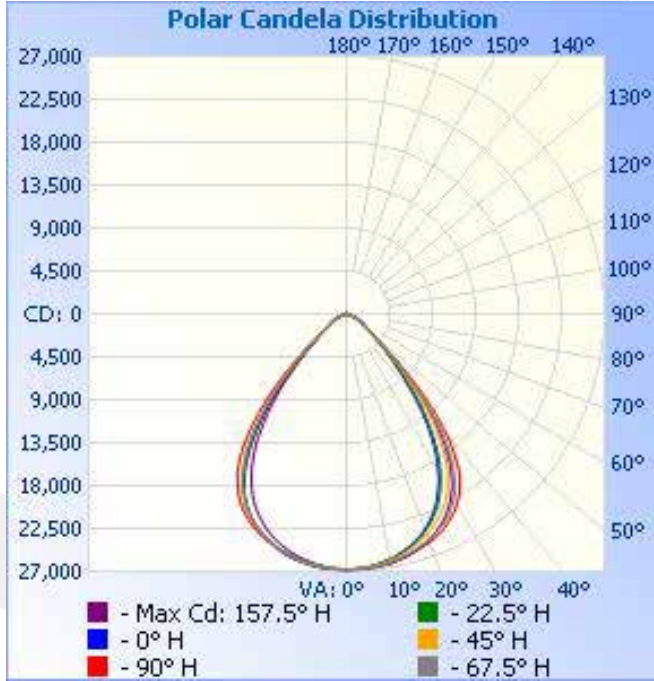
FLOOD LIGHT



UNION™ Flood Light

SKU: 156998-1

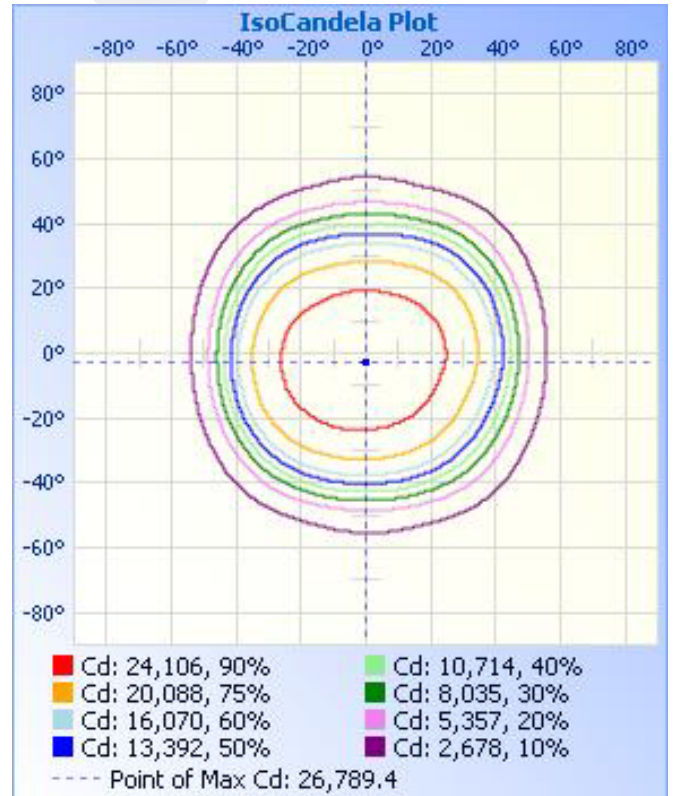
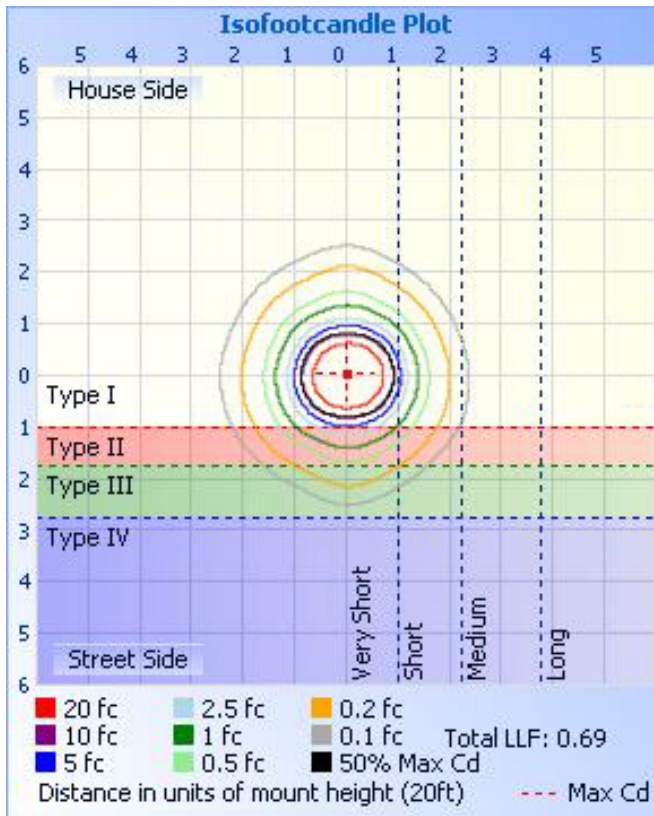
Photometric Data



Illuminance at a Distance

	Center Beam fc	Beam Width	
17.0ft	92.6 fc	27.0 ft	30.5 ft
34.0ft	23.2 fc	53.9 ft	61.1 ft
51.0ft	10.3 fc	80.9 ft	91.6 ft
68.0ft	5.79 fc	107.8 ft	122.2 ft
85.0ft	3.70 fc	134.8 ft	152.7 ft
102.0ft	2.57 fc	161.7 ft	183.3 ft

■ Vert. Spread: 76.8°
■ Horiz. Spread: 83.9°



FLOOD LIGHT

UNION™

Flood Light



Installation

Cautions:

1. Do not use the electric generator to test the LED light.
2. Abide by related country, regional and local law and regulations when install this fixture.
3. To avoid electrical shock and damage, please do not install the lights in raining days.

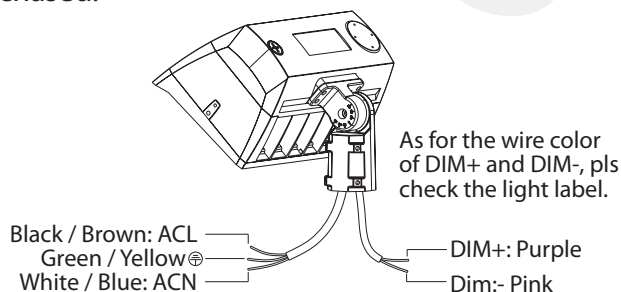
Notices:

1. To prevent from electric shock or fire risk, the installation must be conducted by operator who have professional electrical knowledge.
2. Please wear gloves to avoid injury before installing lights.
3. During or after installation, if there are situations such as smoke, fire in the wires or lights, please turn off the power immediately and notify relevant personnel of an overhaul.
4. This light can be used for outdoor installation.

Instructions:

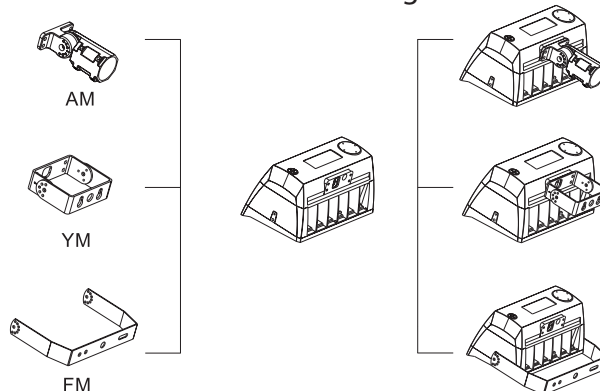
1. This product has dimming function.
2. 2 dimming functions are available in this LED light:
 - (1). Constant current can be achieved by 0-10VDC dimming.
 - (2). Variation of resistance unit dimming(Please choose the appropriate dimming way according to your needs. You can also choose not to use this function).
3. Choose the wire connection ways, dimming ways and installation ways according to your needs and the led fixture purchased.

Wiring Diagram:



Optional Brackets and Installation Instructions

There are 3 optional brackets for this fixture. The following is flood fixtures with different brackets





UNION™ Flood Light

Installation

Installation Instructions with different brackets:

1. ADJUSTABLE FITTER MOUNTING (AM)

Step 1: Remove the bracket mounting screws on the fixture and run the wires through the bracket. (Figure 1)

Step 2: Install the bracket on the fixture. (Figure 2)

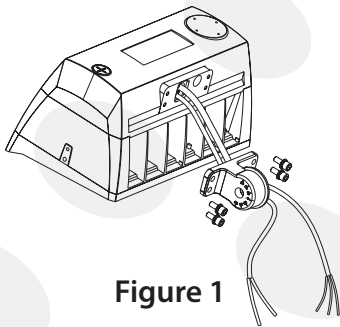


Figure 1

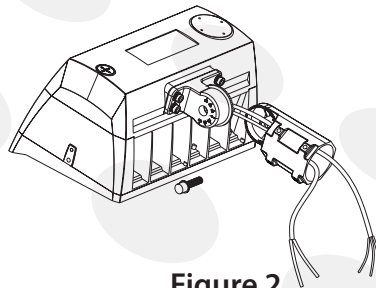
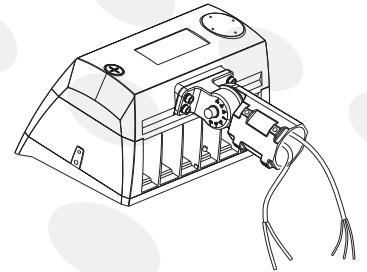


Figure 2



2. YOKE MOUNTING (YM)

Step 1: Put the input wire of the light across the bracket. (Figure 3)

Step 2: Fix the bracket. (Figure 4)

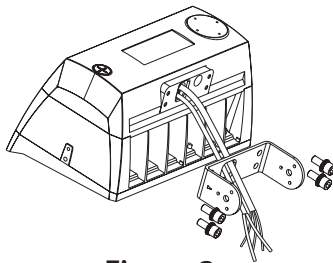


Figure 3

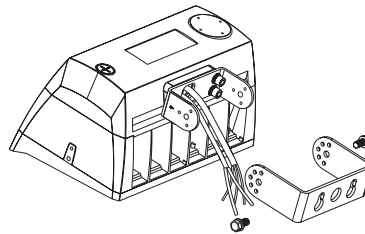
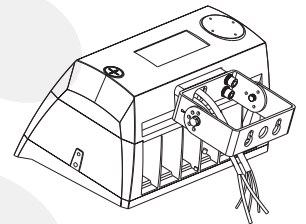


Figure 4



3. FLOOD MOUNTING (FM)

Step 1: First install two big screws. (Figure 5)

Step 2: Install two small screws. (Figure 6)

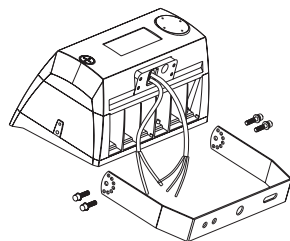


Figure 5

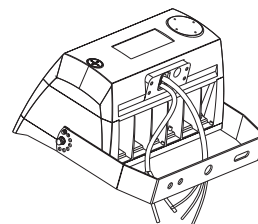


Figure 6

UNION™

Flood Light



Installation

Installation of LED Lights :

1. ADJUSTABLE FITTER MOUNTING (AM)

Step 1: Connect the wire correctly and put the wire into pole. Then fasten the locking bolts between slip fitter and the pole. (Figure 7)

Step 2: Loosen the fixing bolts and adjusting bolts, align the fixture to required angle. Tighten adjusting bolt and fixing bolts after the angle is confirmed. (Figure 8)

Notice: Adjustable angle is $0 \sim \pm 90^\circ$ (Figure 7)

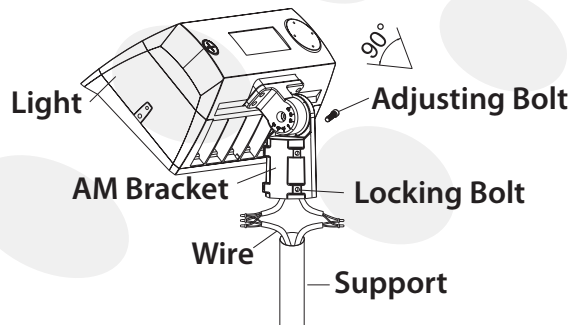


Figure 7

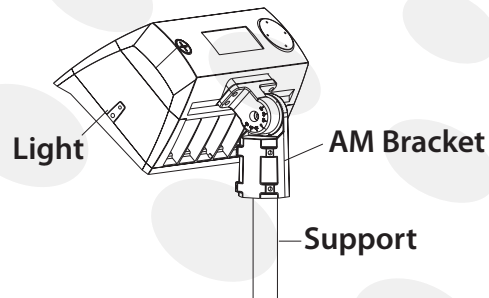


Figure 8

2. YOKE MOUNTING (YM)

Step 1: Drill holes on the wall as shown. (Figure 9)

Step 2: Knock the expansion bolts into the wall. (Figure 10)

Step 3: Connect the fixture to the bracket and tighten the screws; connect the wires properly. (Figure 11)

Notice: Adjustable angle is $0 \sim \pm 90^\circ$ (Figure 11)

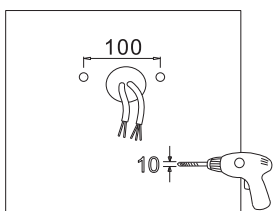


Figure 9

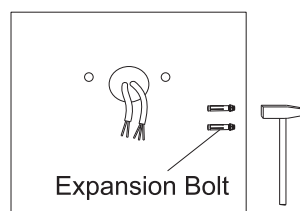


Figure 10

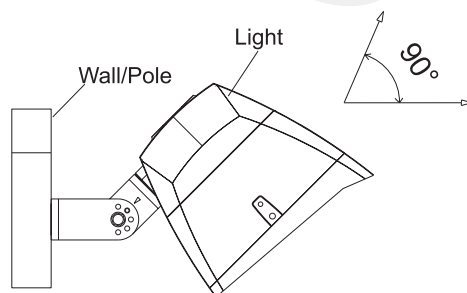


Figure 11



UNION™ Flood Light

Installation

3. FLOOD MOUNTING (FM)

Step 1: Drill holes on the wall as shown. (Figure 12)

Step 2: Knock the expansion bolts into the wall. (Figure 13)

Step 3: Connect the fixture to the bracket and tighten the screws; connect the wires properly and put them into junction box. (Figure 14)

Notice: Adjustable angle is 0~+/-90° (Figure 14)

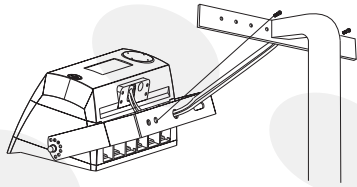


Figure 12

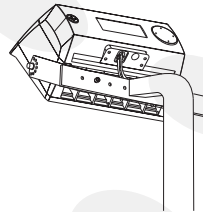
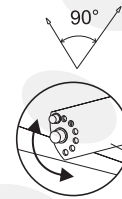


Figure 13



Loosen the angle to adjust the screw, after adjust to the angle that you need, then tighten the screws.

Figure 14

SPECIAL FUNCTIONS INSTRUCTION:

1. Instructions for Photocell

When the photocell function is required, photocell should be installed on the back of light; When it's not required, shorting cap should be installed on the back of light (Figure 15)

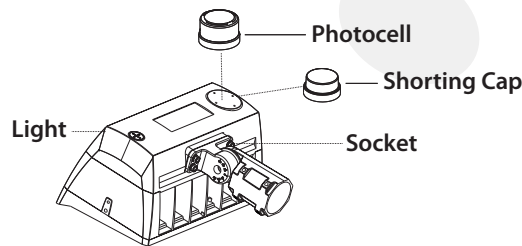


Figure 15

2. Function Adjustment

Step 1: Open the metal plug counterclockwise with a screwdriver, then slide the switch up and down to adjust the power controller or CCT controller in your demand (Figure 16).

Step 2: After adjusting the required control function, tighten the metal plug clockwise (Figure 17).

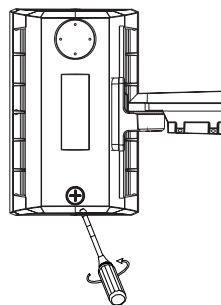


Figure 16

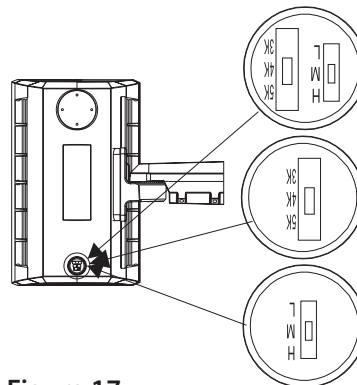


Figure 17

UNION™

Flood Light



Installation

Function adjustment

Step 1: Open the metal plug counterclockwise with a screwdriver, then slide the switch up and down to adjust the power controller or CCT controller in your demand. (Figure 16)

Step 2: After adjusting the required control function, tighten the metal plug clockwise. (Figure 17)

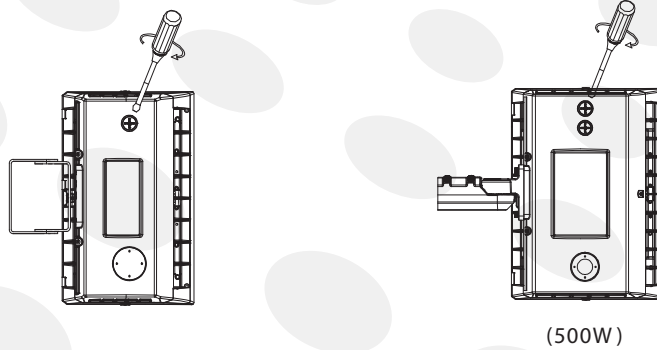


Figure 16

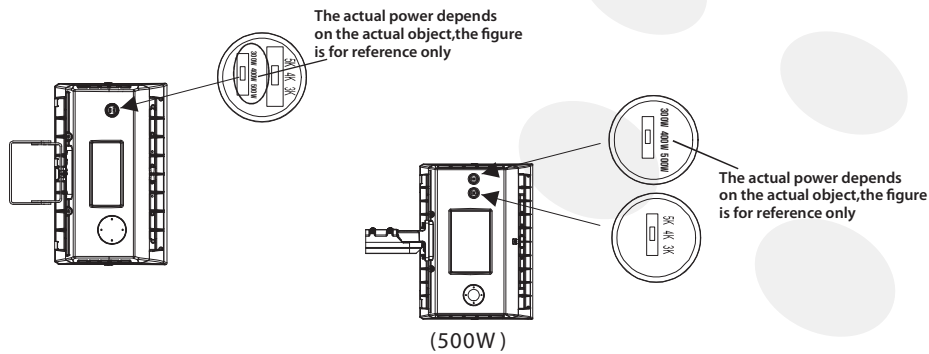


Figure 17

Optical Angle adjustment

Take the lamp out of the packaging box, insert the flat-head screwdriver into the slot of the knob, and rotate the knob to the required Angle. (Figure 18)

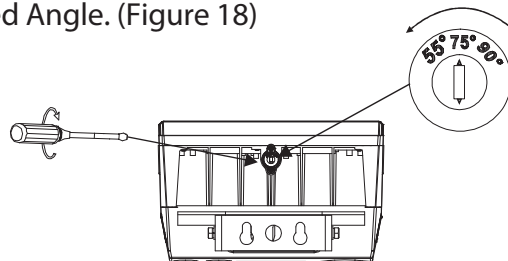


Figure 18



UNION™

Flood Light

Notice For User

- Please turn off power before install or change assembly parts.
- The input voltage and lamps should be matched, after connecting the power line, Please make sure the wiring section is insulated.
- No-professionals, must not install and disassemble the lamps.

Troubleshooting

Troubles	Check Points
Flickering of the light	Turn off the power and turn on again in 3 minutes. If same phenomena occur, then call agencies.
Not Working	Please check the connection

Packaging

SKU	Box Dimension	Qty	Net Weight	Gross Weight
156998-1	22.64" x 21.26" x 12.91"	1 Pc/Box	38.23LBS	42.90LBS

UNION™

Flood Light



Application Image



FLOOD LIGHT

Warranty

This product is covered under a 5-year warranty. For complete warranty details, [Click Here.](#)