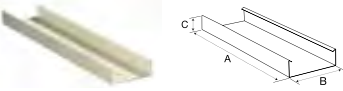


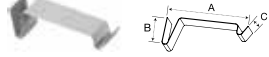




HBL4750 Series

HBL4750 Series	Description	Color	Catalog Number	Description	Color	Catalog Number
	Single Channel Base Packed 50 ft. (15.24m) per carton, 10 ft. (3m) lengths. Assembled cover and base dimensions. W: 4.75" (120.65) H: 1.75" (44.45)	Ivory	HBL4750B10IV	5 Ft. Cover Packed 50 ft. (15.24m) per carton, 5 ft. (1.5m) lengths.	Ivory	HBL4750CIV
		Gray	HBL4750B10GY		Gray	HBL4750CGY
		A: 120.00" (3048.00) B: 4.75" (120.65) C: 1.62" (41.20)		31 In. Precut Cover* For 36 in. (915.00) centers with HBL4747 and HBL4750 Plates.	Ivory	HBL4750C315IV
					Gray	HBL4750C315GY
					Ivory	HBL4750C195IV
		Gray	HBL4750C195GY			
		19 In. Precut Cover* For 24 in. (610.00) centers with HBL4747 and HBL4750 Plates.		Ivory	HBL4750C195IV	
				Gray	HBL4750C195GY	
		13 In. Precut Cover* For 18 in. (457.00) centers with HBL4747 and HBL4750 Plates.		Ivory	HBL4750C135IV	
				Gray	HBL4750C135GY	
		7 In. Precut Cover* For 12 in. (305.00) centers with HBL4747 and HBL4750 Plates.		Ivory	HBL4750C075IV	
				Gray	HBL4750C075GY	
						

Note: *Packed 10 pieces per carton. Device centers vary based on cover selection. Consult factory for details.

Fittings	Description	Color	Catalog Number	Description	Color	Catalog Number
	Divider Divides HBL4750 Raceway into two channels. Packed 50 ft. (15.24m) per carton, 5 ft. (1.5m) lengths. HBL4751DA Divider Clips are required to hold divider in place.	Painted	HBL4750DGY	By-Pass Divider Divides HBL4750 Raceway into two channels with a 70/30 split. Allows for a larger power or datacom wire fill. HBL4751DA Divider Clips are required to hold divider in place.	Painted	HBL4750BP
		Steel	A: 60.00" (1,524.0) B: 1.51" (38.46)		Steel	A: 7.12" (180.74) B: .89" (22.54)
		Divider Clip Required for holding HBL4750DGY in place. Use one every 2.5 ft. (.762m).		Wire Clip (Plated) For holding conductors in place.	Steel**	HBL4751DA
A: 4.64" (117.77) B: 1.46" (37.07)		Steel**	HBL4750WCGY			
						
Internal Corner Coupling (Plated) Concealed fitting for making an internal corner while continuing original run in a straight line.		Steel**	HBL4717TCAGY	Coupling (Plated) For joining lengths of HBL4750 Raceway. Sold in pairs.	Steel**	HBL4751AC
A: 4.59" (116.59) B: 2.71" (68.73) C: 1.47" (37.34)					A: 1.47" (37.30) B: .42" (10.59)	
						

Note: **Galvanized Steel.

Dimensions in Inches (mm)

Metal and Aluminum Raceway

Cross Reference

Hubbell Catalog Number	Wiremold® Catalog Number
HBL4747C2GY	G4047C-2
HBL4715DFOGY	G4015DFO
HBL4717NGY	G4017N
HBL4746H2GY	G4046H-2
HBL4718DFOGY	G4018FO
HBL47472BBFFGY	G4047-2BBFF
HBL47472BBBGGY	G4047-2BBBB
HBL47472BBSSGY	G4047-2BBSS
HBL47472BBXXGY	G4047-2BBXX
HBL47472BBTTGY	G4047-2BBTT
HBL4747AXGY	G4047AX
HBL47472RRXXGY	G4047-2RRXX
HBL4747BFGY	G4047BF
HBL4747BBGY	G4047BB
HBL4747BRGY	N/A
HBL4747BRIV	N/A
HBL4747BTGY	G4047BT
HBL4747BSGY	G4047BS
HBL4774AGY	G4074A
HBL4750GY	G4050
HBL47472RRXXIV	V4047-2RRXX
HBL47472BBXXIV	V4047-2BBXX
HBL4747BBIV	V4047BB
HBL4747AXIV	V4047AX
HBL4747BFIV	V4047BF
HBL4747BTIV	V4047BT
HBL4747BSIV	V4047BS
HBL4747C1IV	V4047C-1
HBL4747BXIV	V4047BX
HBL4747JXIV	V4047JX
HBL4747C2IV	V4047C-2
HBL4750CIV	V4000C
HBL4750B10IV	V4000B-10
HBL4750C315IV	V4000C315
HBL4750C195IV	V4000C195
HBL4711DFOIV	V4011FO
HBL4711IV	V4011
HBL4710DFOIV	V4010DFO
HBL4710IV	V4010
HBL4710BIV	V4010B
HBL4756AIV	V4006
HBL4714AIV	V4014A
HBL4712TXIV	V4012TX
HBL4750C135IV	V4000C135
HBL4750C075IV	V4000C075
HBL4717DFOIV	V4017FO
HBL4717IV	V4017
HBL4715DFOIV	V4015DFO
HBL4715IV	V4015
HBL4718DFOIV	V4018FO
HBL4718IV	V4018
HBL4717NIV	V4017N
HBL47472BBBIV	V4047-2BBBB
HBL4746H2IV	V4046H-2
HBL47472BBTTIV	V4047-2BBTT
HBL47472BBSSIV	V4047-2BBSS
HBL4747CVMGY	G6007C-1
HBL4786AGY	G4086A
HBL4750TFIV	N/A
HBL4747CVM2GY	G6007C-2
HBL4750BP	N/A
HBL4750TFGY	N/A
HBL4756AGY	G4006
HBL4751DA	4001DA
HBL640BDK	640BDK
HBL640CDK	640CDK
HBL4750CGY	G4000C
HBL4750C135GY	G4000C135
HBL4750C315GY	G4000C315

Hubbell Catalog Number	Wiremold® Catalog Number
HBL4750DGY	G4000D
HBL4750WCGY	G4000WC
HBL4710BGY	G4010B
HBL4710DFOGY	G4010DFO
HBL4710GY	G4010
HBL4711DFOGY	G4011FO
HBL4711GY	G4011
HBL4712TXGY	G4012TX
HBL4714AGY	G4014A
HBL4717DFOGY	G4017FO
HBL4717GY	G4017
HBL4717TCAGY	G4017TCA
HBL4774AIV	V4074A
HBL4786AIV	V4086A
HBL4747CVMIV	V6007C-1
HBL4747CVM2IV	V6007C-2
<hr/>	
HBL6750 Series	6000 Series
HBL6751A	6001A
HBL660C	640C
HBL660CDK	640CDK
HBL660B	660B
HBL660BDK	660BDK
HBL6718DFOGY	G4018FO
HBL6718GY	G6017TX
HBL6746HHHGY	G4046H-2 (4000 Series 2-Gang)
HBL67473BBBBBGGY	G4047-2BBBB (4000 Series 2-Gang)
HBL67473BBBBFFGY	G4047-2BBFF (4000 Series 2-Gang)
HBL67473BBBBSSGY	G4047-2BBSS (4000 Series 2-Gang)
HBL67473BBBBTTGY	G4047-2BBTT (4000 Series 2-Gang)
HBL67473BBBBXXGY	G4047-2BBXX (4000 Series 2-Gang)
HBL6747AXXGY	G4047AX (4000 Series 2-Gang)
HBL6747BBBGGY	G4047BB (4000 Series 2-Gang)
HBL6747BBFFGY	G4047BF (4000 Series 2-Gang)
HBL6747BBSSGY	G4047BS (4000 Series 2-Gang)
HBL6747BBTGY	G4047BT (4000 Series 2-Gang)
HBL6747BXXGY	G4047BX (4000 Series 2-Gang)
HBL6747C1GY	V4047C-1 (4000 Series 1-Gang Overlapping)
HBL6747C2GY	V4047C-2 (4000 Series 2-Gang Overlapping)
HBL6747JXXGY	G4047JX (4000 Series 2-Gang)
HBL6747RRFGY	G4047RF (4000 Series 2-Gang)
HBL6747RXXGY	G4047RX (4000 Series 2-Gang)
HBL67473RRRRXXGY	G4047-2RRXX
HBL6750GY	G4050
HBL6750B10GY	G6000B-10
HBL6750CGY	G6000C
HBL6750DAGY	G6000DA
HBL6750WCGY	G6000WC
HBL6751DAGY	G6001DA
HBL6756AGY	G6006
HBL6710BGY	G6010B
HBL6711DFOGY	G6011TX
HBL6711GY	G6011TX
HBL6712TXGY	G6012TX
HBL6714AGY	G6014A
HBL6717DFOGY	G6017TX
HBL6717GY	G6017TX
HBL6774AGY	G6074A
HBL6786GY	G6086
HBL6750C075IV	N/A
HBL6750C075GY	N/A
HBL6750C135IV	N/A
HBL6750C135GY	N/A
HBL6750C195IV	N/A
HBL6750C195GY	N/A
HBL6750C315IV	N/A
HBL6750C315GY	N/A
HBL6715DFOIV	N/A

Wiremold® is a registered trademark of The Wiremold Company.
Hubbell Inc. is not affiliated with The Wiremold Company.