

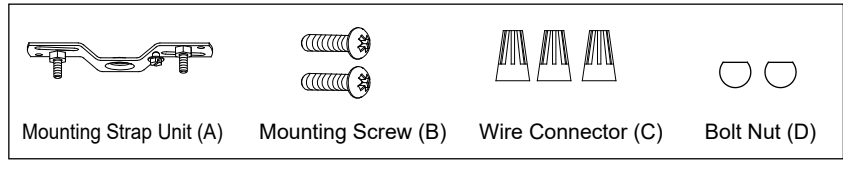
# ASSEMBLY AND INSTALLATION INSTRUCTIONS

P0343

**WARNING:** TO AVOID RISK OF ELECTRICAL SHOCK, BE SURE TO SHUT OFF POWER WHILE INSTALLING OR SERVICING THIS FIXTURE.

**NOTES:** 1. Before installing, consult local electrical codes for wiring and grounding requirements.  
2. READ AND SAVE THESE INSTRUCTIONS.

## Hardware Package (included):

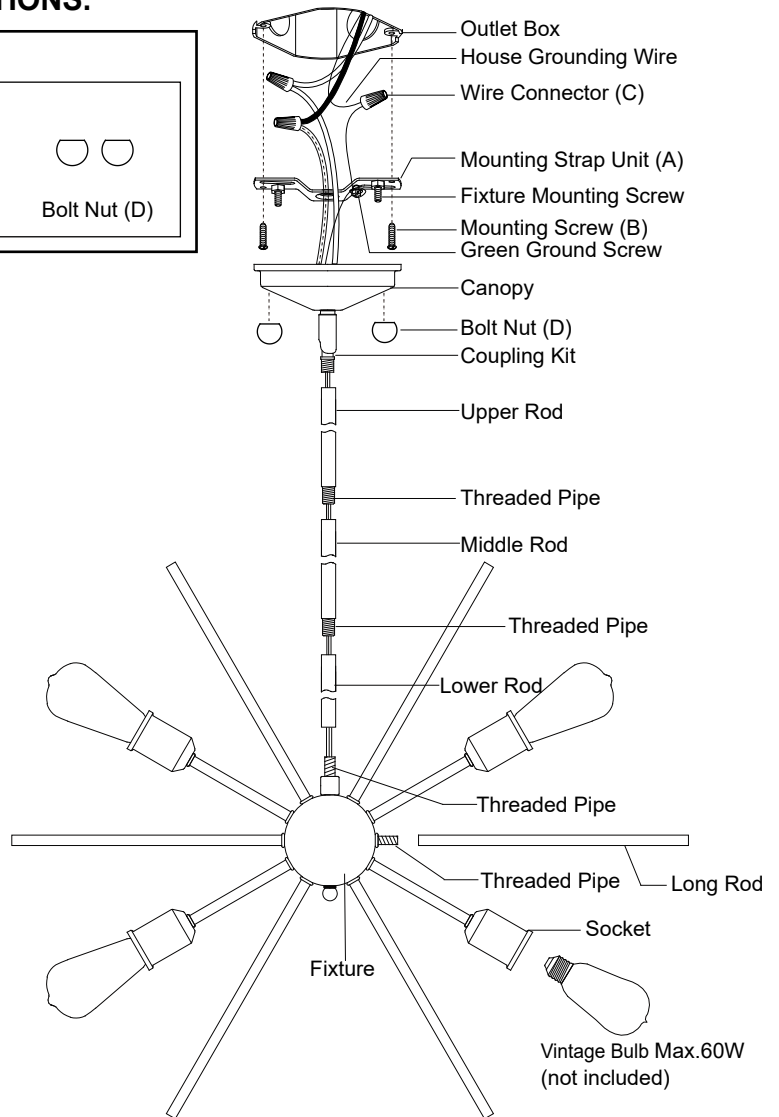


## Installation Steps

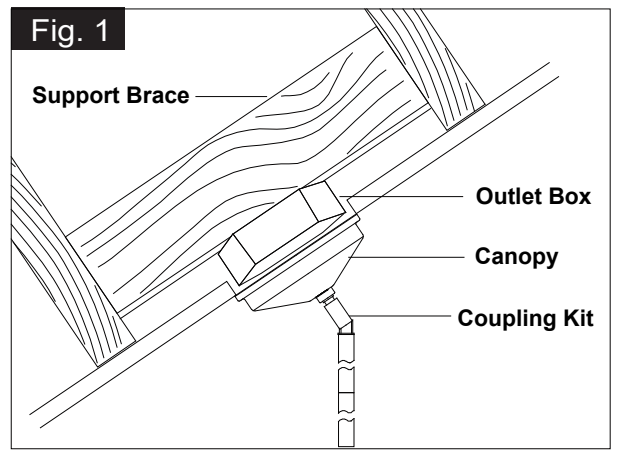
Turn off the power at fuse or circuit box.

- Attach mounting strap unit (A) to outlet box using two mounting screws (B).
- Rod Connections:
  - Thread the fixture wire from the fixture through the lower rod, and then secure the lower rod onto fixture using the threaded pipe.
  - Thread the fixture wire through the middle rod, and then secure the middle rod onto the lower rod using the threaded pipe.
  - Thread the fixture wire through the upper rod, and then secure the upper rod onto the middle rod using the threaded pipe.

**Note: Length adjustable from 27-1/2" to 75". Use fewer rods if shorter length is desired.**
- Thread the fixture wire through coupling kit, canopy, then secure the rod assembly to the coupling kit.
- Screw 12 long rods to the other threaded pipes of fixture.
- Pull out the source wires from the outlet box. Make wire connections using wire connectors (C) as follows:
  - Connect the smooth-coated wire (marked) from the fixture to the black wire from the power source.
  - Connect the ribbed-coated wire (unmarked) from the fixture to the white wire from the power source.
  - Attach the fixture ground wire to the mounting strap unit (A) with the green ground screw, then connect it to the house ground wire with a wire connector (C).
 Carefully put the wires back into the outlet box.
- Attach the canopy to the mounting strap unit (A), then secure it with two bolt nuts (D).
- Install bulbs (not included). See relamping label at socket area or packaging for maximum wattage allowed .



8. Angled mounting recommended for a vaulted or angled ceiling.  
 (See Fig. 1)



Turn on the power at fuse or circuit box.

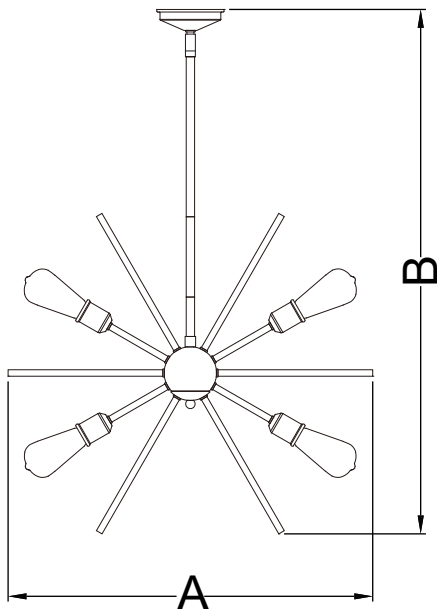
The following parts are available for re-order if damaged or missing.

**Spare Parts List:**

				← Assembly Kit 6282MM (1SET)
Mounting Strap Unit (A)	Mounting Screw (B)	Wire Connector (C)	Bolt Nut (D)	

12"Rod 3237RD	6"Rod 3236RD	3"Rod 3235RD	Long Rod 295mm 3238RD



**A: 27-1/2"**

**B: 27-1/2"~75"**