



GAST MANUFACTURING, INC.  
 A Unit of IDEX Corporation  
 Post Office Box 97  
 Benton Harbor, Michigan  
 Ph: 269/926-6171  
 Fax: 269/925-8288

PART NO:

REV.

RTD364

B

Product Specifications

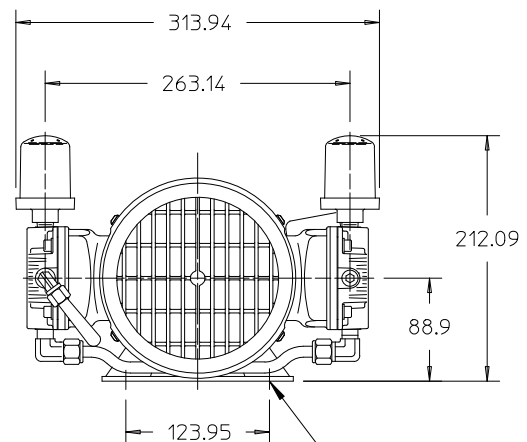
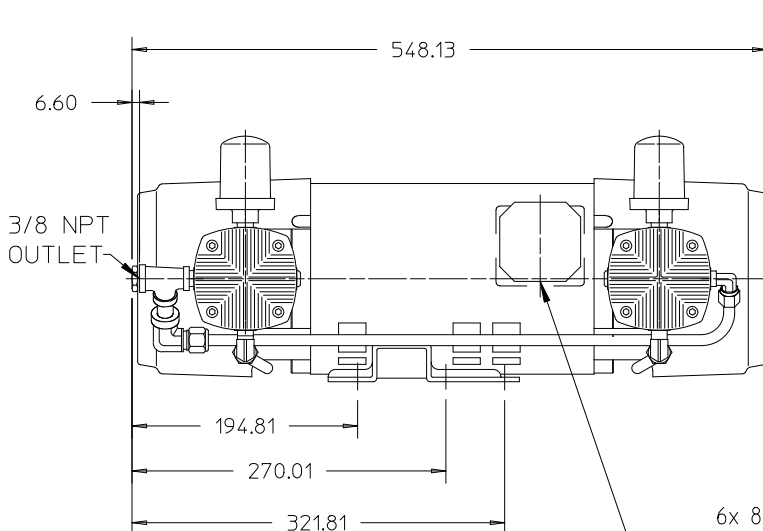
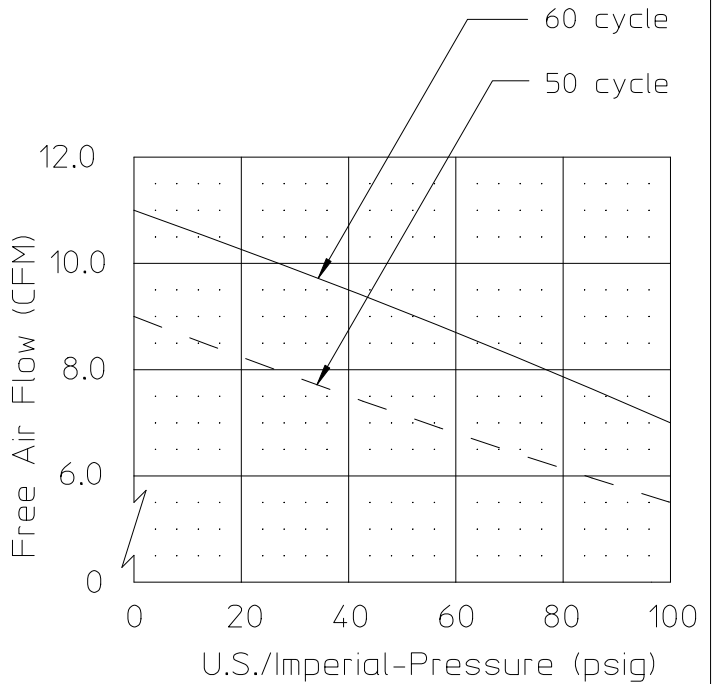
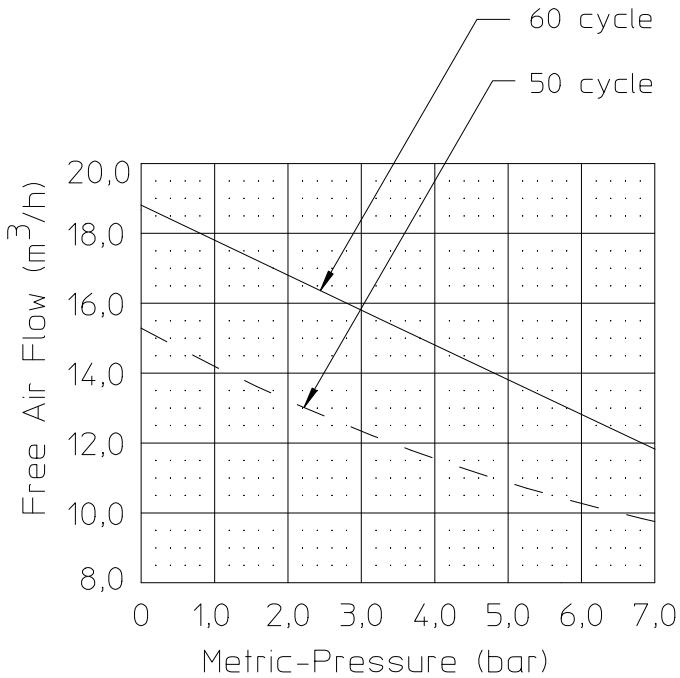
Model Number	Motor	RPM		HP	kW	Net lbs.	Wt. kg
		60 cycle	50 cycle				
8HDM-10-M853	230/460 60 Hz. 3 Ph 220-240/380-440 50 Hz. 3 Ph	1725	1425	2.0	1.5	66	30

SOUND LEVEL 76 dB(A)  
 NORMAL AMBIENT +5 degC - +40 degC  
 RELATIVE HUMIDITY 20% - 80%  
 ENVIRONMENT Clean Dust Free

NOTES:

1. ALL DIMENSIONS ARE IN MILLIMETERS.
2. ALL DIMENSIONS ARE REFERENCE USE ONLY.
3. TECHNICAL DATA SUBJECT TO CHANGE WITHOUT NOTICE.

Product Performance



6x 8.6-9.4 WIDE x 22.3-23.1 LONG SLOT

Ø27.7 THRU ELECTRICAL BOX