



ORIGINAL VAXCEL CEILING FAN LIMITED LIFETIME WARRANTY*

**for full limited lifetime warranty details please see final page of these instructions.*

Model No.: F0138

Safety Instructions

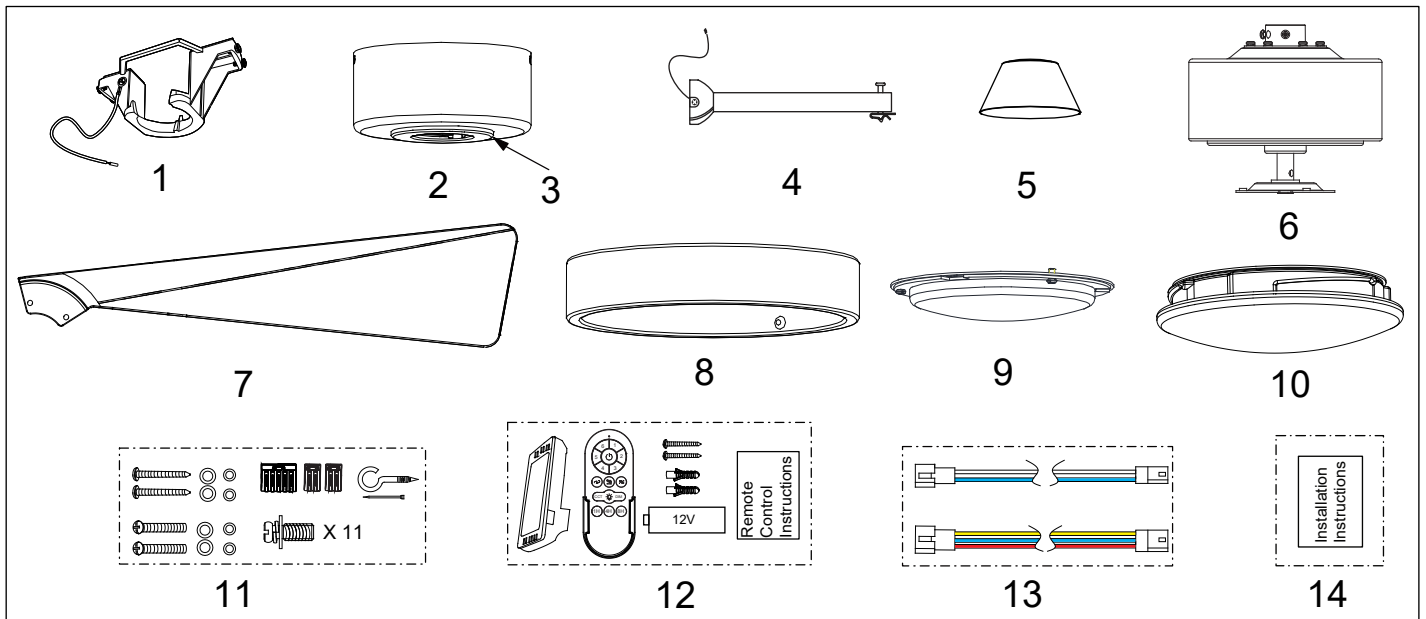
READ ALL SAFETY INFORMATION AND INSTALLATION INSTRUCTIONS BEFORE YOU BEGIN TO INSTALL THE FAN AND SAVE INSTRUCTIONS.

- All set screws of the fan must be checked and retightened where necessary before installation.
- To reduce the risk of personal injury, do not bend the blade brackets when installing the brackets, balancing the blades or cleaning the fan. Do not insert foreign objects between rotating fan blades.
- Before changing the fan direction, turn off the fan and wait for the fan blades to stop completely.
- The safeguards provided by these safety instructions and by the separate installation instructions are not meant to cover all possible conditions and situations that may occur. It must be understood that common sense, caution and care are factors which can not be built into this product.
- These factors must be supplied by the person(s) installing, caring for and operating the fan.

WARNING

- TO AVOID RISK OF ELECTRIC SHOCK, BE SURE TO SHUT OFF POWER AT THE MAIN FUSE OR CIRCUIT BREAKER BOX BEFORE INSTALLING OR SERVICING THIS FIXTURE. TURNING OFF THE ELECTRICAL POWER BY USING THE LIGHT SWITCH IS NOT SUFFICIENT TO PREVENT ELECTRICAL SHOCK.
- TO REDUCE THE RISK OF INJURY, INSTALL THE FAN SO THAT THE BLADES ARE AT LEAST 7 FEET (2.1 METERS) ABOVE THE FLOOR AND AT LEAST 18 INCHES (0.5 METERS) FROM THE TIP OF THE BLADES TO THE WALL.
- TO REDUCE THE RISK OF FIRE, ELECTRIC SHOCK, OR PERSONAL INJURY, MOUNT TO OUTLET BOX MARKED "ACCEPTABLE FOR FAN SUPPORT" AND USE MOUNTING SCREWS PROVIDED WITH THE OUTLET BOX.
- THE INSTALLATION HAS TO BE IN ACCORDANCE WITH THE NATIONAL ELECTRICAL CODE, ANSI/NFPA 70-1999 AND LOCAL CODES. IF YOU ARE UNFAMILIAR WITH THE METHODS OF INSTALLING ELECTRICAL WIRING, SEEK THE SERVICES OF A QUALIFIED LICENSED ELECTRICIAN.

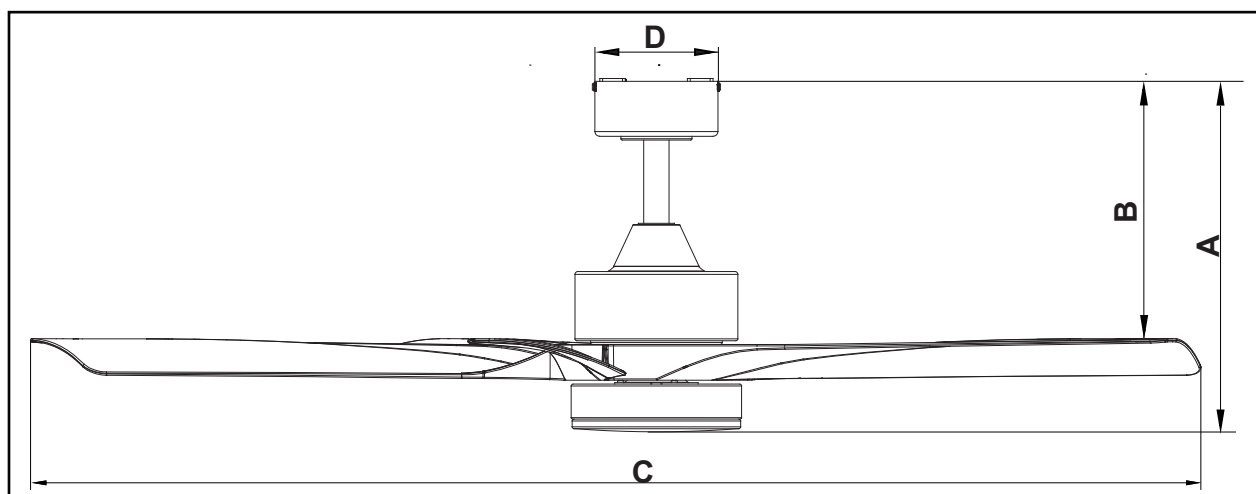
Package Contents:



Unpack your fan and check the contents. You should have the following items.

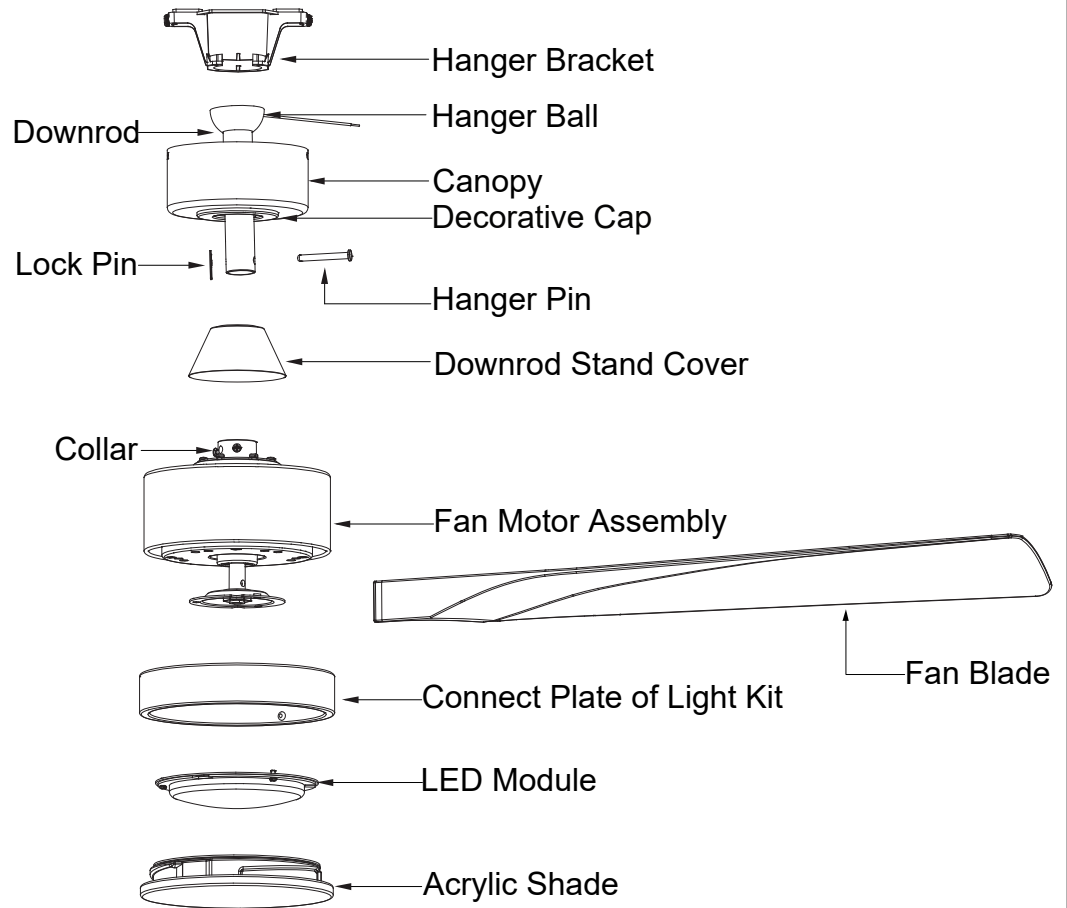
- 1.) Hanger Bracket
- 2.) Canopy
- 3.) Decorative Cap (For Ceiling Mount, Remove the Pre-assembled Decorative Cap from the Canopy Before Installation.)
- 4.) Downrod Set (Included Hanger Ball, 6" Downrod, Hanger Pin & Lock Pin)
- 5.) Downrod Stand Cover
- 6.) Fan Motor Assembly
- 7.) Fan Blades (5PCS)
- 8.) Connect Plate of Light Kit
- 9.) LED Module
- 10.) Acrylic Shade
- 11.) Assembly Kit
- 12.) Remote Control Set (Includes Receiver & Transmitter & Battery & Screws & Remote Control Instructions)
- 13.) Lead Wires
- 14.) Installation Instructions

Dimension Reference (Installed with 6" Downrod):

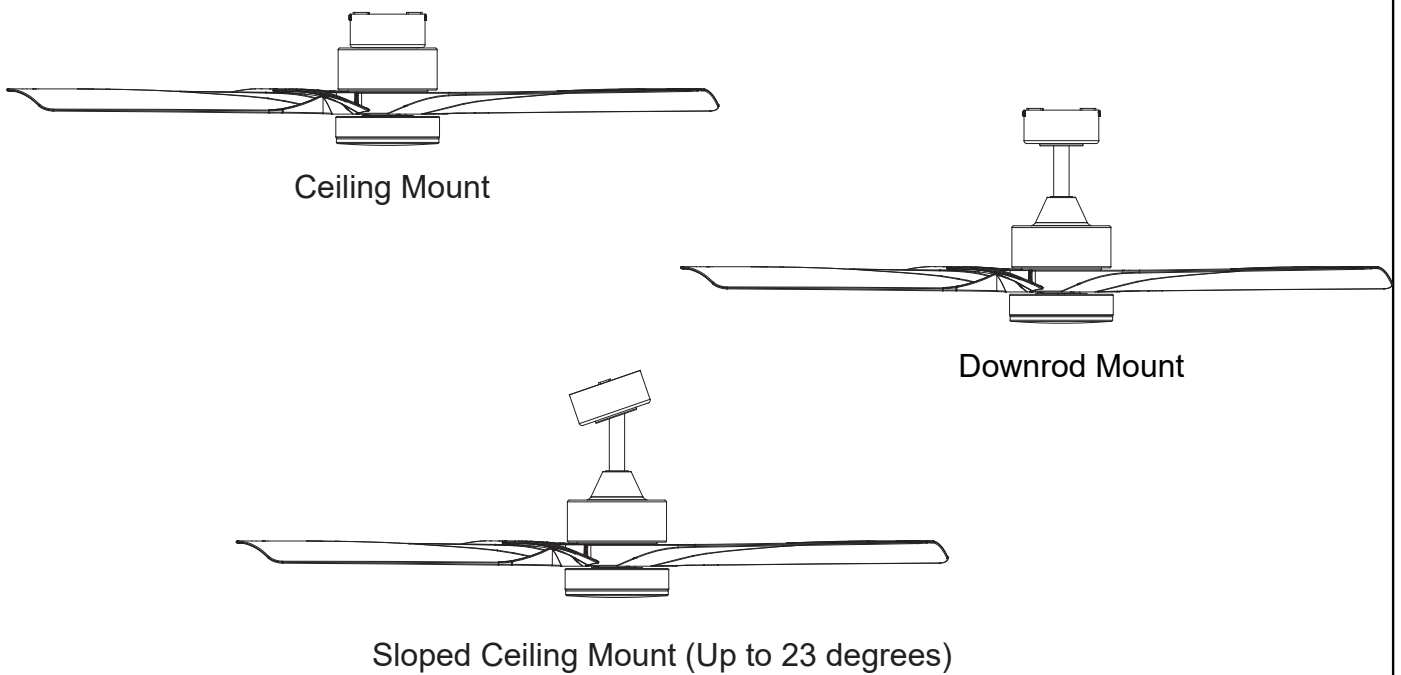


A. 14-1/2" B. 11" C. 52" D. 5"

Exploded View Detail



Triple Mount Drawing



INSTALLATION INSTRUCTIONS

IMPORTANT:

- BEFORE YOU BEGIN INSTALLING THE FAN, CAREFULLY READ ALL INFORMATION IN THE SEPARATE SHEET "SAFETY INSTRUCTIONS" AS WELL AS THE FOLLOWING "INSTALLATION INSTRUCTIONS". IF IN DOUBT, CONSULT A QUALIFIED ELECTRICIAN.
- SAVE ALL INSTRUCTIONS.

NOTE: The fan weight is 11.74lbs (5.32 kg). Be sure the outlet box you are using is securely attached to the building structure and can support the full weight of the fan. Failing to do so can result in serious injury.

Installation Steps:

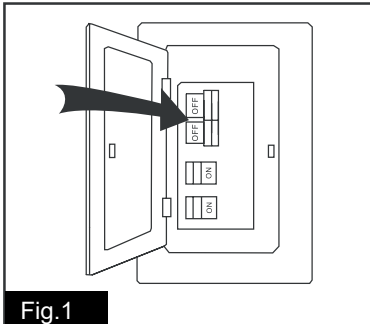


Fig. 1

Turn OFF the electric circuit at the main fuse fuse or circuit breaker box.

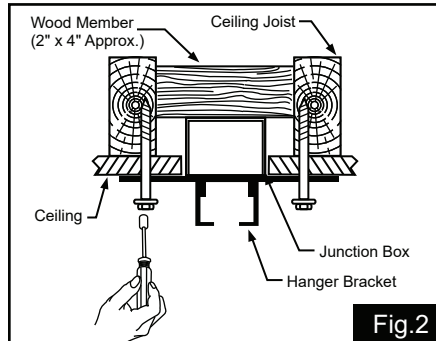


Fig. 2

Tighten the hanger bracket to the outlet box with two mounting screws. **(Make sure the outlet box is securely installed so that it will be able to support at least the fan weight.)** Attach the safety cable hook to the ceiling with the dry wall screw and washer, and make sure the safety cable hook is covered by the fan canopy. **WARNING: MOUNT ONLY TO AN OUTLET BOX MARKED "ACCEPTABLE FOR FAN SUPPORT"!**

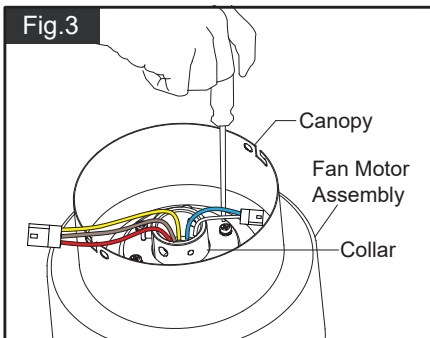
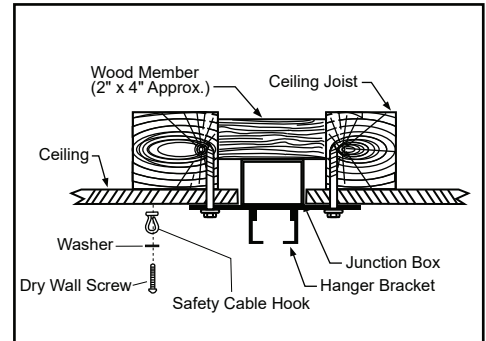


Fig. 3

(For ceiling mount only): Remove the decorative cap from the canopy. Remove three of six screws (every other one screw) securing the collar. Attach the canopy to the fan motor assembly with three screws.

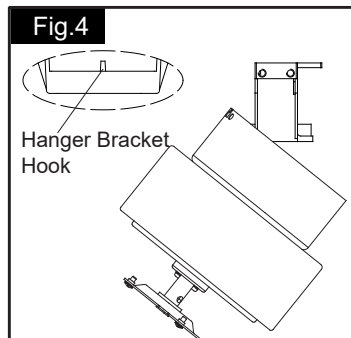


Fig. 4

(For ceiling mount only): Raise the fan and place the canopy on the hanger bracket hook for wiring. Go to Fig. 11 for the next steps.

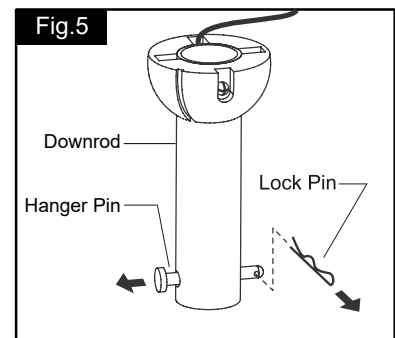


Fig. 5

(For downrod mount only): Remove the lock pin from the hanger pin and remove the hanger pin from the downrod.

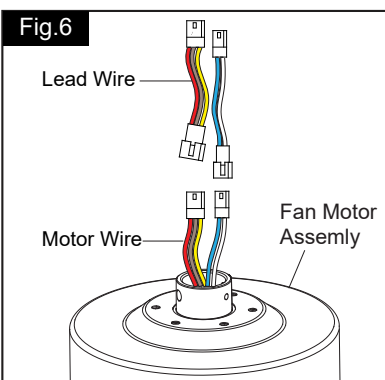


Fig. 6

(For downrod mount only): Please connect the lead wires when using over 6" downrod.

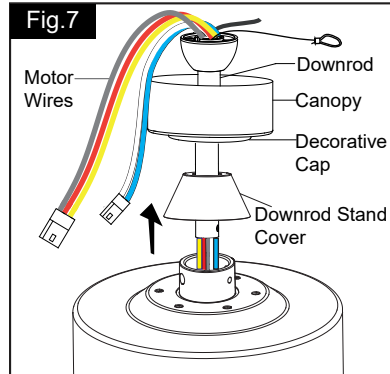


Fig. 7

(For downrod mount only): Thread the motor wires through the downrod stand cover, decorative cap (making sure the smooth side of decorative cap is facing downward), canopy and downrod.

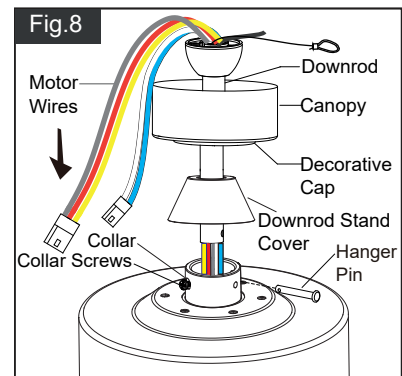


Fig. 8

(For downrod mount only): Loosen the collar screws out part way. Insert the downrod into the collar. Slide hanger pin through holes of collar and downrod.

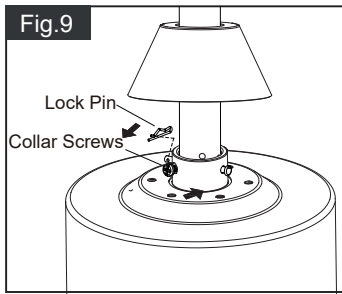


Fig. 9
 (For downrod mount only):
 Tighten the two collar screws.
 Slide lock pin into hanger pin
 until it is locked into position.

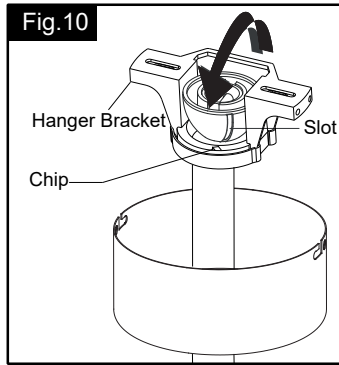
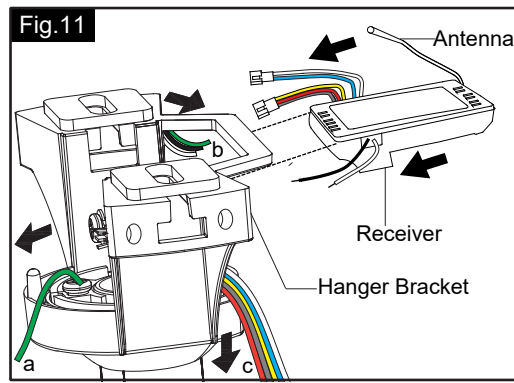


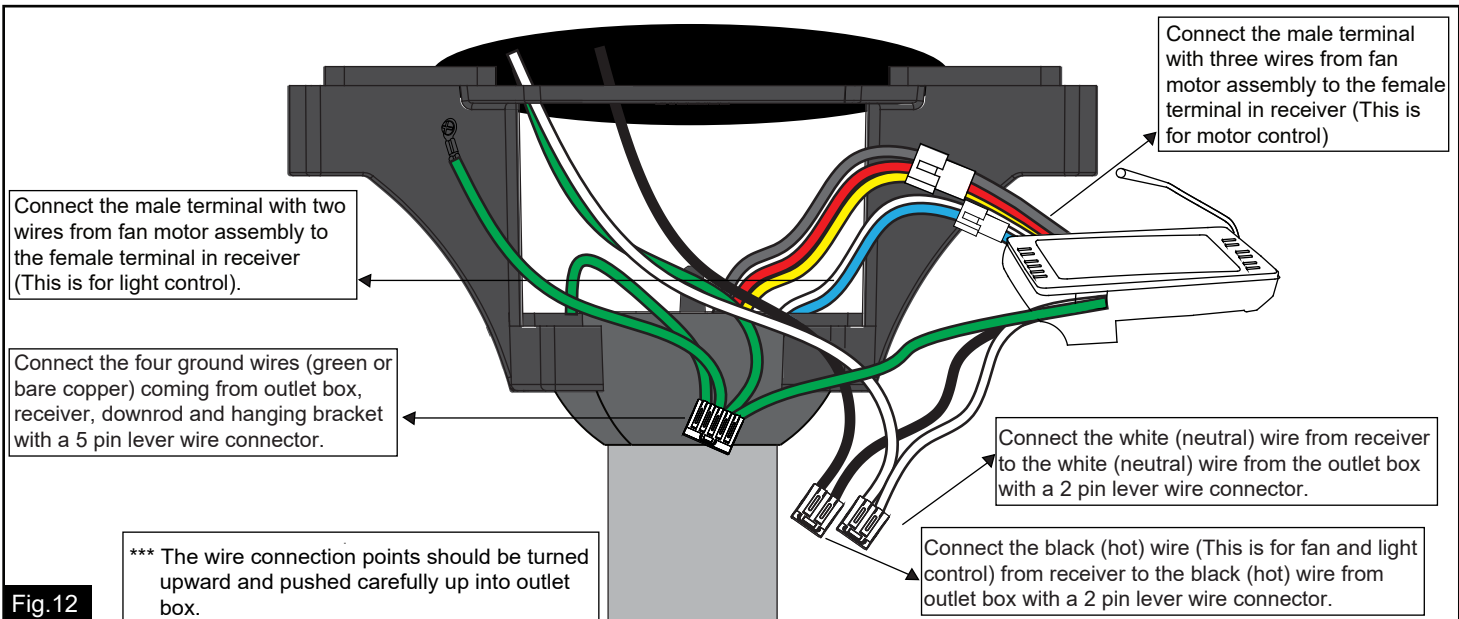
Fig. 10
 (For downrod mount only):
 Hang the fan on hanger bracket, and make
 sure the slot of hanger ball is snapped into
 the chip of hanger bracket exactly.

**Note: For sloped ceiling installation, make sure the slot of
 hanger ball and the chip of hanger bracket face down.**



the receiver through the hanger bracket
 until it is placed in the center.

Move ground wires (a), outlet
 box wires (b), and
 motor wires (c)
 away from the
 center of the
 hanger bracket
 as shown. Thread
 the antenna
 through the
 hanger bracket
 first, then thread



Connect the male terminal with two
 wires from fan motor assembly to the
 female terminal in receiver
 (This is for light control).

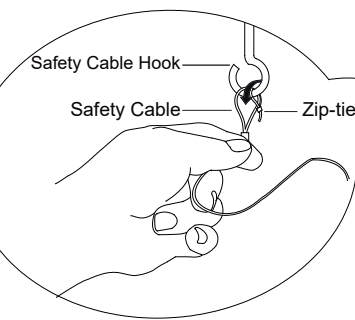
Connect the four ground wires (green or
 bare copper) coming from outlet box,
 receiver, downrod and hanging bracket
 with a 5 pin lever wire connector.

*** The wire connection points should be turned
 upward and pushed carefully up into outlet
 box.

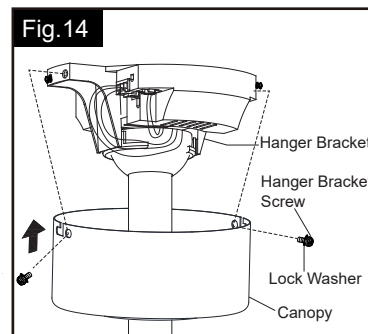
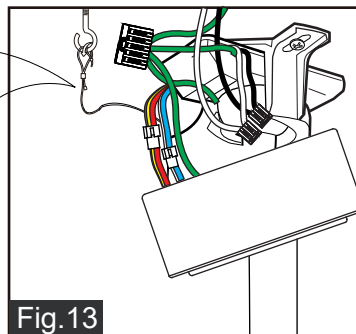
Connect the male terminal
 with three wires from fan
 motor assembly to the female
 terminal in receiver (This is
 for motor control)

Connect the white (neutral) wire from receiver
 to the white (neutral) wire from the outlet box
 with a 2 pin lever wire connector.

Connect the black (hot) wire (This is for fan and light
 control) from receiver to the black (hot) wire from
 outlet box with a 2 pin lever wire connector.

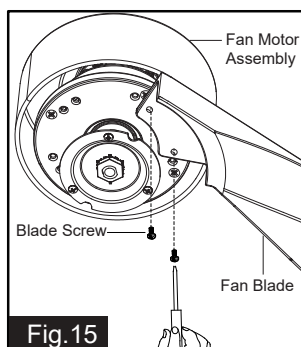


Hang the safety cable into the safety cable hook, tighten the
 safety cable to the safety cable hook by using the zip-tie.

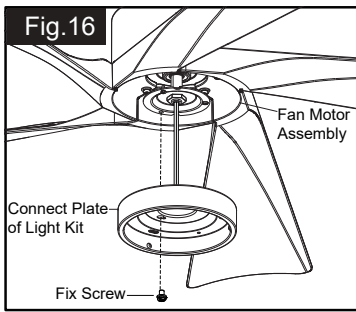


Align the "L shaped" slots of the canopy with the two
 remaining screws on the hanger bracket and push
 the canopy upwards to engage the slots and turn
 clockwise to lock in place. Tighten the screws and
 install the other two hanger bracket screws and lock
 washers into the remaining holes of the canopy and
 tighten.

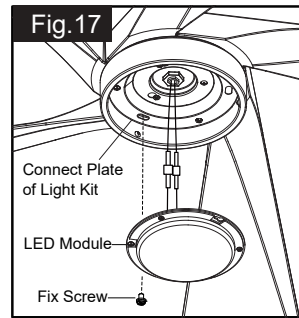
There are four hanger
 bracket screws and
 lock washers. Remove
 two screws and lock
 washers from the
 hanger bracket
 (one from each side)
 and loosen the other
 two remaining screws.



Align the holes on one of the blades with the holes on the bottom of fan motor assembly,
 then loosely attach the blade using the blade screws provided in the bag of assembly kit.
 Repeat this process for other blades. Once five blades are in position and connected with
 blade screws, firmly tighten all screws.

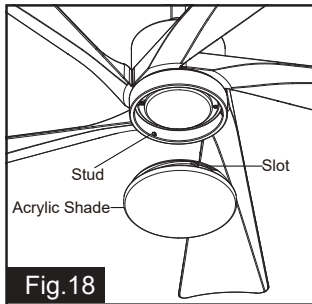


Remove one screw and loosen another two screws from fan motor assembly first, then thread the fan motor assembly wires through connect plate of light kit, push the connect plate of light kit upwards until the fan motor assembly screws insert into the key hole slots of connect plate of light kit, then rotate the connect plate of light kit until it's fixed on the fan motor assembly bottom. Finally, secure the connect plate of light kit to the fan motor assembly bottom with previous screw which was removed. Tighten the other two fan motor assembly screws.

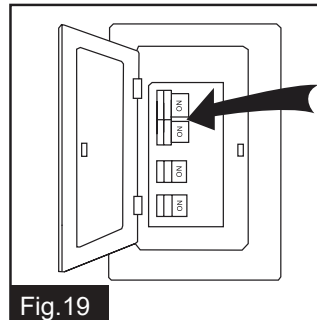


Connect the white (neutral) wire from the LED module to white (neutral) wire from fan motor assembly with a wire connector; connect the blue (hot) wire from the LED module to blue (hot) wire from fan motor assembly with a wire connector.

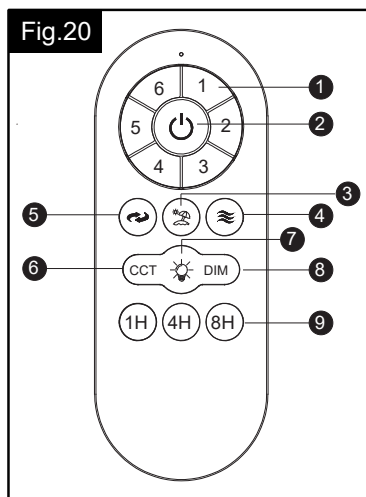
Carefully put the wires into the connect plate of light kit, then attach the LED module onto the connect plate of light kit with the fix screws.



Attach the acrylic shade to the connect plate of light kit by aligning studs and slots, and turn clockwise until it is locked in place.



Turn ON the electric circuit at the main fuse or circuit breaker box.



Remote Control

Install one 12 volt battery (type 23A, included) into the remote control.

The remote buttons instruct as below:

- Fan speed:

1 = minimum speed	2 = low speed
3 = medium low speed	4 = medium speed
5 = medium high speed	6 = high speed
- "Power" Button:
Press this button to turn the fan off.
- "*☂" Vacation Mode Button:
Press the vacation mode button to turn on the light for 5 minutes every 2 hours. Any other button will turn off this function.
- "≈" Breeze Button:
Press the breeze button to cycle the fan speed. The fan will cycle through all 6 speeds in 20 seconds. If the fan is off the cycle will start at minimum "1" speed and increase until high speed "6" is reached, then cycle slowly back down to minimum speed "1". Again, then repeat. If the fan is on then the breeze cycle will start at that speed. To stop this function press any other fan speed or fan off button.

5. "↺" Reverse Button:

Press this button to control fan direction.
Please wait, as the reverse function takes time to adjust.

6. "CCT" Button:

Press and hold for more than 2 seconds to infinitely switch the color temperature, then release when the desired color temperature is reached.

7. "☀" Light Power Button:

Press and release immediately to turn the light on or off.

8. Dimmer Function:

Press and hold the "DIM" button to dim or brighten lights to the desired level and release, and the brightness level will be memorized. Turn on the light again, then fan light will be restored to the brightness-level at which it was dimmed last time.

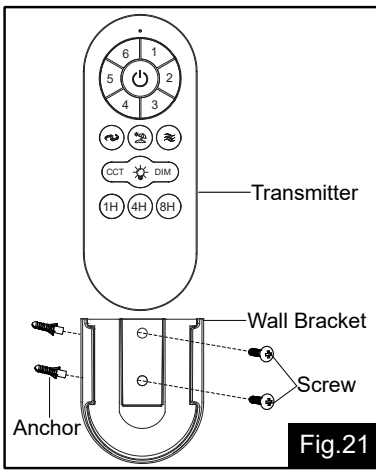
9. Timer Button:

Press "1H", "4H" or "8H" timer button to turn off the fan and light for the selected duration.

If the light is off and the fan in on, the timer can automatically turn the fan off after the selected timer time.

(Same goes for the light.)

Press light off or fan off button to stop the timer control.



Note:

1. This remote control has a memory function setting. The fan will operate at the same speed and the fan light will stay at the same brightness-level as the last time the power supply was turned off.
2. Compatible with on/off function wall switch only.

Set the code:

Within the 10 second time frame after the main power is turned on, press and hold FAN OFF button for more than 3 seconds. The LED light will begin to flash. Once the code is set successfully, the fan will turn off and the light will turn on.

Note: The included transmitter was paired with the receiver at the factory with default settings, so you should not need to pair the remote unless the connection with the fan is lost.

Install the transmitter wall bracket on the wall with two anchors and two screws and place transmitter in it carefully .

Troubleshooting Guide

If you have difficulty operating your new ceiling fan, it may be the result of incorrect assembly, installation or wiring. In some cases, these installation errors may be mistaken for defects. If you experience any faults, please check this Troubleshooting Guide. If a problem cannot be remedied or you are experiencing difficulty in installation, please call our Customer Service Department (1-800-482-9235).

PROBLEM	SUGGESTED REMEDY
1. If fan does not start:	<ol style="list-style-type: none"> 1. Check main and branch circuit fuses or circuit breakers. 2. Check line wire connections to fan and switch wire connections in fan motor assembly. CAUTION: Make sure main power is turned off. 3. Make sure that the wall control is turned "ON".
2. If fan sounds noisy:	<ol style="list-style-type: none"> 1. Make sure all screws in fan motor assembly are snug. (not too tight) 2. Make sure the screws which attach the fan blade to the motor are tight. 3. Make sure wire connectors in fan motor assembly are not rattling against each other or against the interior wall of the fan motor assembly. CAUTION: Make sure main power is turned off before accessing fan motor assembly. 4. Some fan motors are sensitive to signals from Solid State variable speed controls. DO NOT USE a Solid State variable speed control. 5. Allow "break-in" period of 24 hours. Most noises associated with a new fan will disappear after this period.
3. If fan wobbles:	<p>All blades are weighed and grouped by weight. The following procedures should eliminate most of the wobble. Check for wobble after each step.</p> <ol style="list-style-type: none"> 1. Check that all blades are screwed firmly into fan motor assembly. 2. Make sure that mounting plate is tightened securely to ceiling junction box and junction box is mounted firmly to ceiling joist. 3. If blade wobble is still noticeable, interchanging two adjacent (side by side) blades can redistribute the weight and possibly result in smoother operation.
4. If light does not work:	<ol style="list-style-type: none"> 1. Check black wire from fan to make sure it is connected to hot wire from supply wire coming out of the ceiling. 2. Check for loose or disconnected wires in fan motor assembly. 3. Check for loose or disconnected wires in light kit. 4. Check for faulty the LED module. CAUTION: Make sure main power is turned off before accessing fan motor assembly.
5. If fan and light kit do not work:	<ol style="list-style-type: none"> 1. Replace the battery of remote control. 2. Re-pair the remote control and receiver by holding the "⏻" button on the remote control according to the manual.

ORIGINAL VAXCEL CEILING FAN LIMITED LIFETIME WARRANTY*

The limited lifetime warranty covers this fan, for residential use by the original purchaser, against defects in material or workmanship as follows:

If your fan motor fails at any time during the lifetime of the original purchaser due to defects in material or workmanship, we will provide a replacement part free of charge.

If your fan motor fails at any time within one year after the original date of sale to the original purchaser due to defects in material or workmanship, we will provide labor to repair the defect, with the exception of take down/reinstallation, free of charge. The original purchaser will be responsible for all labor costs after this one year period.

If no replacement parts are provided for any part of your fan motor that fails at any time during your lifetime due to defects in material or workmanship, we will refund the original purchase price of your fan.

If your fan blades, or any accessory, except glass globes and light bulbs, fails at any time within one year after the original date of purchase due to a defect in material and workmanship, we will repair or replace the defective blades, switch, or accessory free of charge, with the exception of take down/reinstallation services.

If your fan includes any integrated LED modules, the LED functionality is covered by a 5-year warranty.

If the original purchaser ceases to own the fan, this warranty and any implied warranty, including but not limited to any implied warranty of merchantability or fitness for a particular purpose, become void. This warranty and any implied warranty, including but not limited to any implied warranty of merchantability or fitness for a particular purpose, does not cover glass globes, light bulbs, or finish on any metal portions of the fan.

This warranty is in lieu of express warranties. The duration of any implied warranty of merchantability or fitness for a particular purpose, with respect to any fan motor, blades, switch, or accessories, is expressly limited to the period of the express warranty set forth above for such motor, LED modules, blades, switch, or accessories.

This warranty excludes defects, malfunctions, or failures of any fan that are caused by repairs by persons not authorized by us, use of parts or accessories not authorized by us, mishandling, improper installation, modifications or damage to the fan while in your possession, or unreasonable use, including failure to provide necessary maintenance. This warranty does not include the failure of products from extreme acts of nature; environmental conditions not suited for the products intended use; operation in temperatures outside of the range specified in the instruction manual; usage with improper power supply, power surges or dips. For coastal locations, some corrosion is considered normal for the environment.

In no event shall VAXCEL be liable for consequential or incidental damages.

Some states do not allow the exclusion or limitation of consequential or incidental damages, in which case the above limitation or exclusion may not apply. This warranty gives you specific legal rights and you may also have other rights which vary from state to state.

Vaxcel reserves the right to repair, replace or issue a credit for any properly installed product, provided it is returned per RMA instruction. This warranty is limited to the cost of the product only and does not extend to transportation, installation or replacement costs.

How can warranty service be obtained for your ceiling fan?

info@vaxcel.com

1-800-482-9235