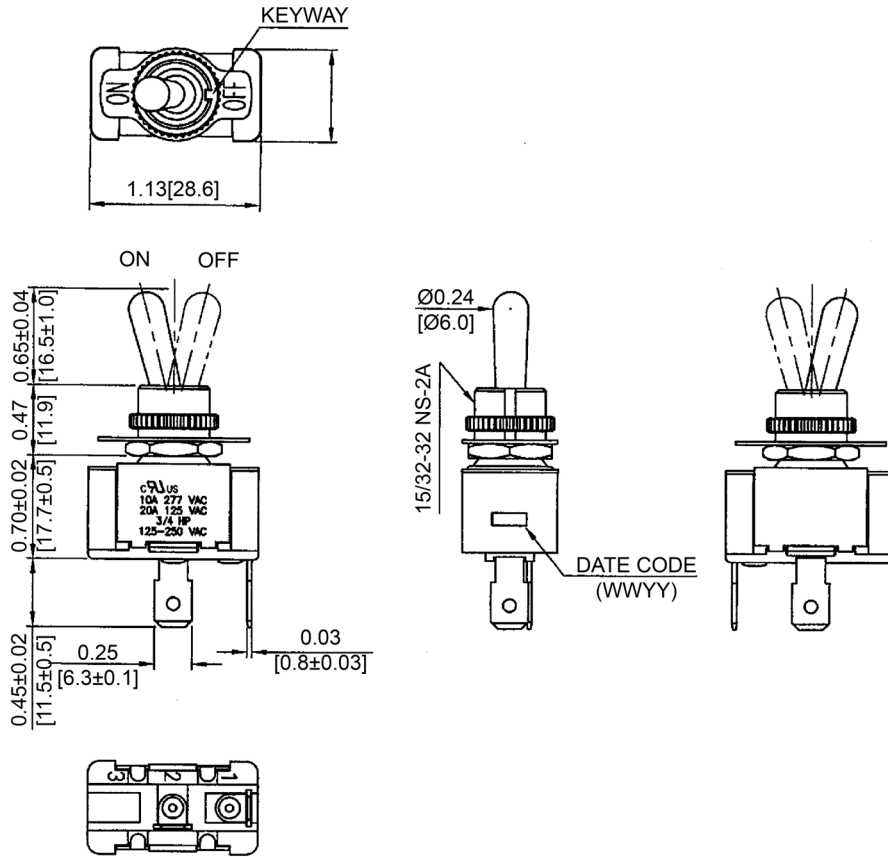
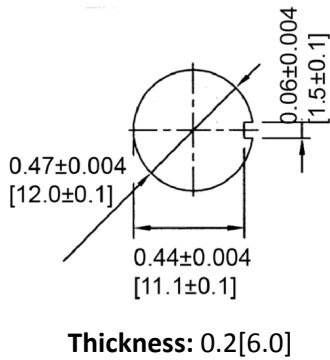


Mechanical Dimensions: Inches [mm]

Tolerances ± 0.012 [0.3] Unless Otherwise Specified

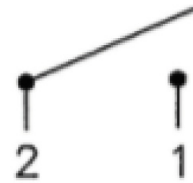


Mounting Hole



Circuit Diagram

2P SPST OFF-ON



Electrical Specifications

DC Rating	21A 14VDC
AC Rating	20A 125V AC, 10A 277V AC, 3/4HP 125-250V AC 12(4)A 125/250V AC
Contact Resistance	50m ohm Max
Insulation Resistance	DC 500V 100M ohm Min
Dielectric Strength	AC 1500V 1 minute
Certifications	

Material Specifications

Operation Force	700gf \pm 250 gf
1 Hex Nut Assy	1 Knurl Nut Assy
1 ON/OFF Face Plate	1 Internal O-Ring
Ingress Protection	IP 55
Operation Temperature	-20°C~65°C
1 ON/OFF FACE PLATE ASSY	

Rev	Date of issue	Revision Notes	Designed	Approved
D	08-19-2025	Updated Electrical Specifications	RC	OF