



ALTA™ Cooler Light



SKU #	DLC Model #
157067	ZS-T8V1532T-57
157068	ZS-T8V1840T-57

Beyond LED Technology is a leader in innovative refrigerated display lighting solutions. Our Alta Cooler Light and Freezer Lamps provide 5700K CCT lighting that enhances the visual appeal of food and product displays in freezers and walk-in refrigerator cases. These lights produce a wider beam, ensuring even light distribution, creating attractive and well-lit displays that improve visibility and showcase products more effectively. Designed for energy efficiency, the Alta Cooler Light and Freezer Lamps consume less energy and operate cooler than traditional fluorescent freezer bulbs. This helps to lower operating costs, reduce heat buildup, and maintain the optimal temperature inside refrigerated units, ultimately reducing the risk of food spoilage. The daisy chain option allows for easy and efficient connection of multiple lights, streamlining installation in large freezer or refrigeration setups. Built to last, these lights are ETL and DLC certified, meeting the highest standards of safety, quality, and performance. Ideal for both commercial and industrial applications, the Alta Cooler Light and Freezer Lamps are the perfect solution for energy-efficient and reliable lighting in refrigerated environments.

Product Features

- Up to 130 lm/W
- Available in 5ft & 6ft
- 32 Watt & 40 Watt
- 5700K CCT
- Built-in driver
- 170° Beam angle
- V-shape double-strip design
- Daisy-chain up to 450W-500W
- Input Voltage 100-277VAC
- ETL & DLC listed
- 5-year warranty

ALTA™ LED Cooler Light



SKU	WATT	MAX LUMENS	CCT	INPUT VOLTAGE	CRI	SIZE	LIGHT SPREAD	CONSTRUCTION	DIMMING	CERTIFICATIONS
157067	32W	4160	5700K	100-277V	>80	5'	170°	Aluminum+PC Clear Lens	0-10V	ETL & DLC
157068	40W	5200	5700K	100-277V	>80	6'	170°	Aluminum+PC Clear Lens	0-10V	ETL & DLC

SKU: 157067 / 5Ft Specifications

Parameter	Description	Value
General Performance	Model	ZS-T8V1532T-50
	Watt	32W
	Color Temperature	5700K
	Max Lumens	4160
	Lumen Efficacy	Up to 130LM/W
	CRI (Ra)	>80
	Light Spread	170°
	Diffuser Type	PC Clear Lens
Electrical	Input Voltage	100-277V
	Frequency	50/60Hz
	PF	>0.9
	THD	<20
Physical	Operating Temperature	-20°C to 40°C
	Construction	Aluminum+PC
Qualification	Housing Color	White
	IP Rating	IP20
	Warranty	5 Years



ALTA™

Cooler Light

SKU: 157068 / 6Ft

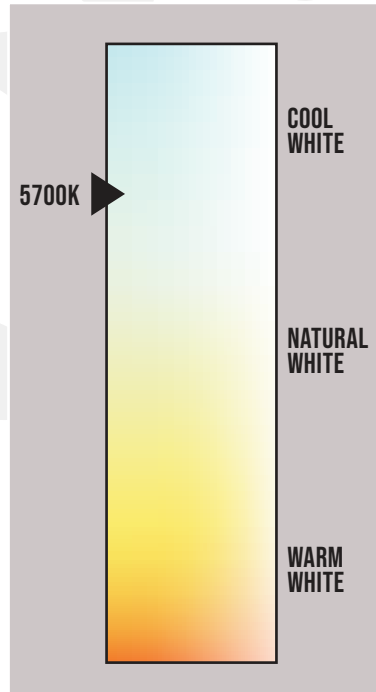
Specifications

Parameter	Description	Value
General Performance	Model	ZS-T8V1840T-50
	Watt	40W
	Color Temperature	5700K
	Max Lumens	5200
	Lumen Efficacy	Up to 130LM/W
	CRI (Ra)	>80
	Light Spread	170°
	Diffuser Type	PC Clear Lens
Electrical	Input Voltage	100-277V
	Frequency	50/60Hz
	PF	>0.9
	THD	<20
Physical	Operating Temperature	-20°C to 40°C
	Construction	Aluminum+PC
Qualification	Housing Color	White
	IP Rating	IP20
	Warranty	5 Years

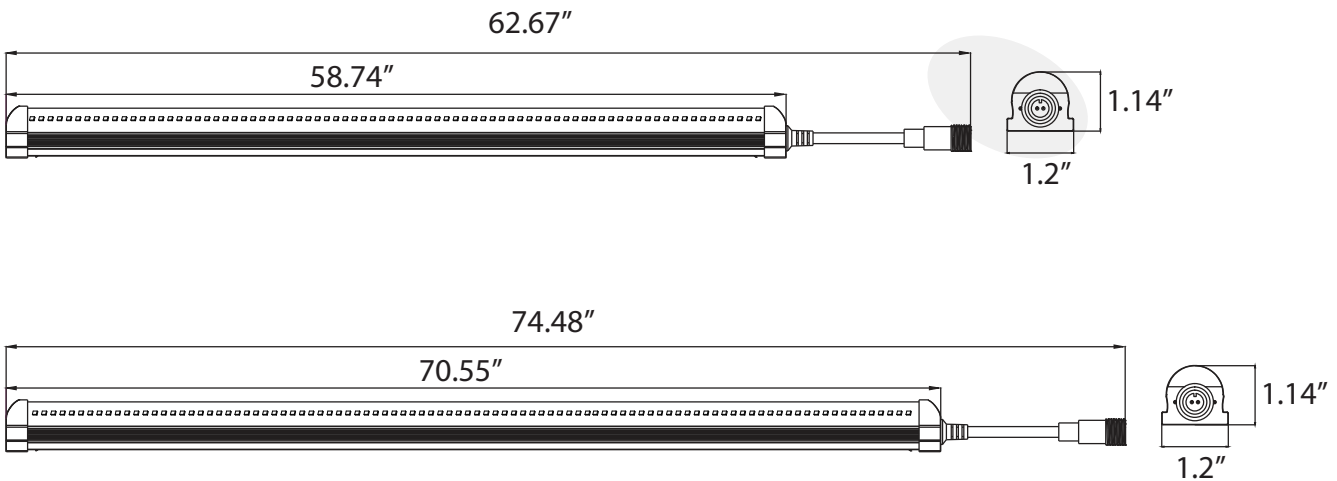
ALTA™ LED Cooler Light



Correlated Color Temperature (CCT)



Dimension

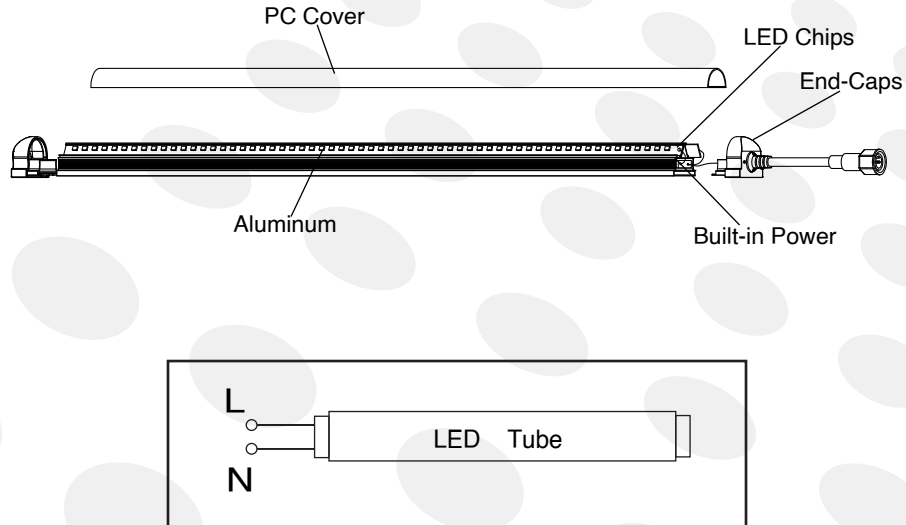




ALTA™

Cooler Light

Installation



Electric Shock Attention

Ensure the power supply has been cut off before connecting the wire, and all wiring and installation of this product are required to be operated by professionals.

DISCONNECT THE POWER BEFORE INSTALLATION

Step1. Install the mounting clip. Locate the mounting clip at the position where the tube is installed on and fixed by screws. Check the fixity of the mounting clip to make sure it cannot be loosed and shacked.

Step2. Fix the tube. Align the mounting clip on the back of the tube and jam the tube into the clip firmly.

Step3. Use male and female joint cables to connect multi tubes (A to B), max power should be less than 250W.

Step4. Turn on the power.

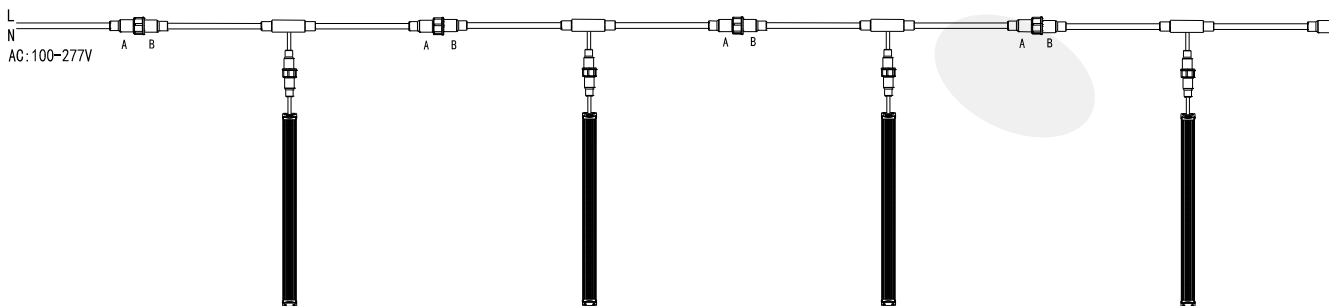
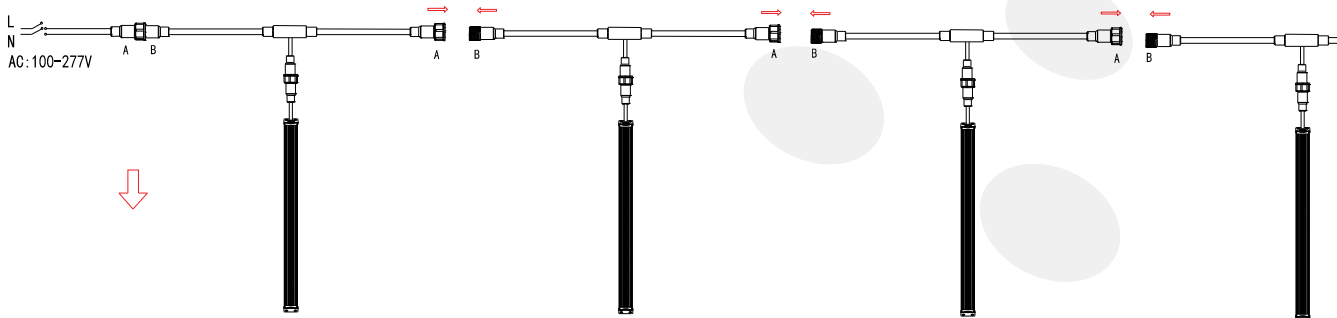
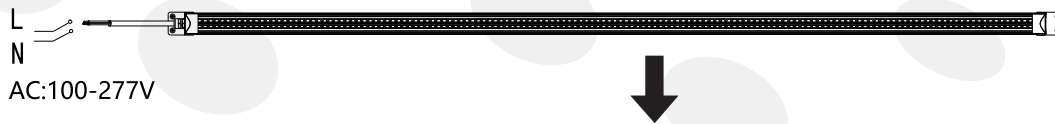
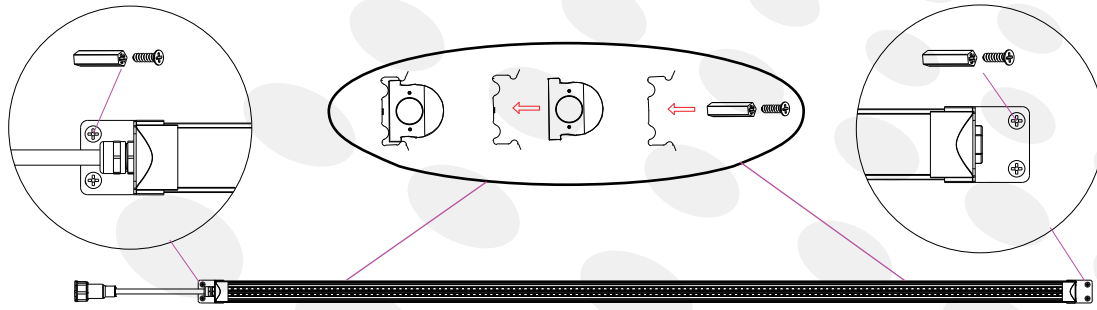
WARNING

1. Risk of fire or electric shock, disconnect power before Installation.
2. The electrical rating of these products are 100-277Vac, the installer must determine whether they have 100-277Vac at the luminaries before installation.
3. This product must be installed in accordance with the applicable installation code by a person familiar with the construction and operation of the product and the hazards involved.
4. To prevent wiring damage or abrasion, do not expose wiring to edges of sheet metal or other sharp objects.

ALTA™ LED Cooler Light



Installation



WARNING:

Make sure all the power is off before installation.
All the installations are required to be done by professionals.



ALTA™

Cooler Light

Packaging

SKU #.	Size	Box Dimension	Qty	Net Weight	Gross Weight
157067	5'	73.6" x8.5" x7.3"	30 Pcs/Box	35LBS	39LBS
157068	6'	85.4" x8.5" x7.3"	30 Pcs/Box	38.6LBS	45LBS

Application Image



ALTA™

LED Cooler Light



Application



Warranty

This product is covered under a 5-year warranty. For complete warranty details, [Click Here.](#)

LED COOLER LIGHT