



PLEASE READ AND SAVE THESE INSTRUCTIONS

PET DRYER + HEATER
OWNER'S MANUAL

MODEL: B-8 (115V/60Hz)



XPOWER MANUFACTURE, INC.
668 S. 6th Ave.,
City of Industry, CA 91746, USA
Tel: 626-285-3301 Fax: 626-285-3302
www.xpower.com

Nozzles included



TABLE OF CONTENTS

Introduction	1
Operation	2
Specifications	2
Safety Instructions	3-6
Parts List	7
Maintenance	8
Warranty / Service	9
XPOWER PET PRODUCTS	10
Warranty Registration Form	11

INTRODUCTION

Thank you for purchasing an XPOWER B-8 professional force dryer. Featuring advanced BRUSHLESS technology, the B-8 will outlast standard brush motor dryers with its 7,000+ hour motor. Enjoy full control when drying or styling with variable heat and speed controls. Add a stand and stationary styling arm (sold separately) for convenient hands-free drying.

Special Features:

- 4 HP BRUSHLESS DC Motor
- Powerful and Energy-Efficient
- Super Lightweight and Compact
- Remarkably QUIET Motor
- 8' Flexible Heat Protected PU Hose
- Thermally Protected
- Variable Heat and Speed Control Switches
- Digital temp and speed LCD display
- Durable & Rugged ABS Housing
- 1 Year Limited Warranty
- 3 Nozzle Attachments (included)

OPERATION

1. Place the dryer on a flat surface. Plug the electrical cord into a 3-prong outlet.
2. Connect the hose to the front hose connector and attach the desired nozzle.
3. Turn variable speed switch to desired speed.
4. To use heating element, choose desired heat setting or leave on off setting.
5. To reduce the risk of injury, close supervision is necessary when the unit is used near children.
Do not allow children to play with or around the unit.

SPECIFICATIONS

Model	B-8	Unit Weight	12.3lbs
Volts/Cycle	115V/60Hz	Unit Dimensions	17.2"x6.3"x9.8"
Power	4 HP	Cord Length	10'
Motor	BRUSHLESS DC	Filter System	✓
Max AMP	12A	Styling Nozzles	3
Rated Airflow	150CFM	Housing	ABS
Speeds	Variable	Thermal Protection	✓
Heating Element	Variable		

SAFETY INSTRUCTIONS

WARNING: IMPORTANT SAFETY PRECAUTIONS!

When using electrical appliances, especially when children or animals are present, basic safety precautions should always be followed to reduce the risk of fire, electric shock, and personal injury, including, but not limited to the following:

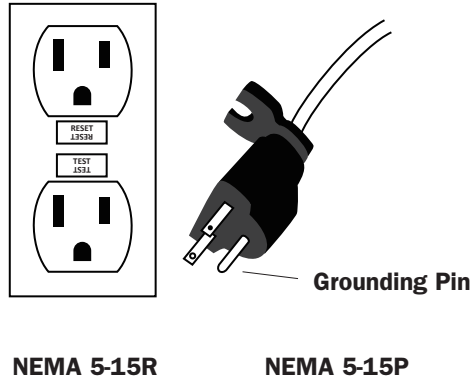
- DO NOT use attachments not intended for use with the dryer. Only use attachments recommended or sold by the manufacturer.
- DO NOT attempt to perform any service or maintenance not outlined in instruction manual.
- WARNING – To Reduce The Risk Of Electric Shock – Use Indoors Only. DO NOT use outdoors.
- WARNING: This Pet Dryer is not intended for use by children. Adult assembly and operation required. To reduce the risk of injury, close supervision is necessary when an appliance is used near children.
- DO NOT use as a toy.
- DO NOT leave appliance when plugged in. Unplug from outlet when not in use and before servicing.
- DO NOT use extension cords with dryer.
- DO NOT unplug unit by pulling on cord, to unplug, grasp the plug, not the cord.
- WARNING: Never use dryer with a damaged cord or plug, or after the appliance malfunctions or is dropped, damaged in any manner. Return to an Authorized Service Center for service, examination, repair, or electrical or mechanical adjustment.
- To disconnect, turn all controls to the off (“O”) position, then remove plug from outlet.

- DO NOT pull or carry by cord, use cord as a handle, close a door on cord, or pull cord around sharp edges or corners. DO NOT run appliance over cord. Keep cord away from heated surfaces.
- DO NOT handle plug or appliance with wet hands.
- Use extra care when cleaning on stairs.
- DANGER: DO NOT expose dryer to rain or water.
- DO NOT use or store dryer where it can fall or be pulled into tub or sink or standing water. If dryer falls into water unplug it, DO NOT reach into the water. Keep units out of baths and DO NOT operate on a wet floor, or wet surface.
- DO NOT use to pick up flammable or combustible liquids, such as gasoline, or use in areas where they may be present. DO NOT pick up anything that is burning or smoking, such as cigarettes, matches, or hot ashes.
- Unplug before connecting nozzles and hose.
- WARNING: DO NOT put any object into dryer openings. Keep loose clothing, jewelry and hair away from dryer openings. DO NOT use with any opening blocked; keep free of dust, lint, and anything that may reduce air flow.
- WARNING: DO NOT allow any material to clog or block air intakes as this may cause units to overheat and result in a fire or electrical hazard. Regularly clear hair or other substances from air intakes. DO NOT contact moving parts.
- Connect to a properly grounded outlet only. See Grounding Instructions.

Grounding Instructions

- This appliance must be grounded. In the event of malfunction or breakdown, grounding provides a path of least resistance for electric current to reduce the risk of electric shock. This appliance is equipped with a cord having an equipment-grounding conductor and a grounding plug. The plug must be plugged into an appropriate outlet that is properly installed and grounded in accordance with all local codes and ordinances.
- A qualified electrician should be consulted if there is any doubt as to whether an outlet box is properly grounded.
- **DANGER** – Improper connection of the equipment-grounding conductor can result in a risk of electric shock. The conductor with insulation having an outer surface that is green with or without yellow stripes is the equipment-grounding conductor. If repair or replacement of the cord or plug is necessary, do not connect the equipment-grounding conductor to a live terminal. Check with a qualified electrician or serviceman if the grounding instructions are not completely understood, or if in doubt as to whether the appliance is properly grounded. Do not modify the plug provided with the appliance – if it will not fit the outlet, have a proper outlet installed by a qualified electrician.

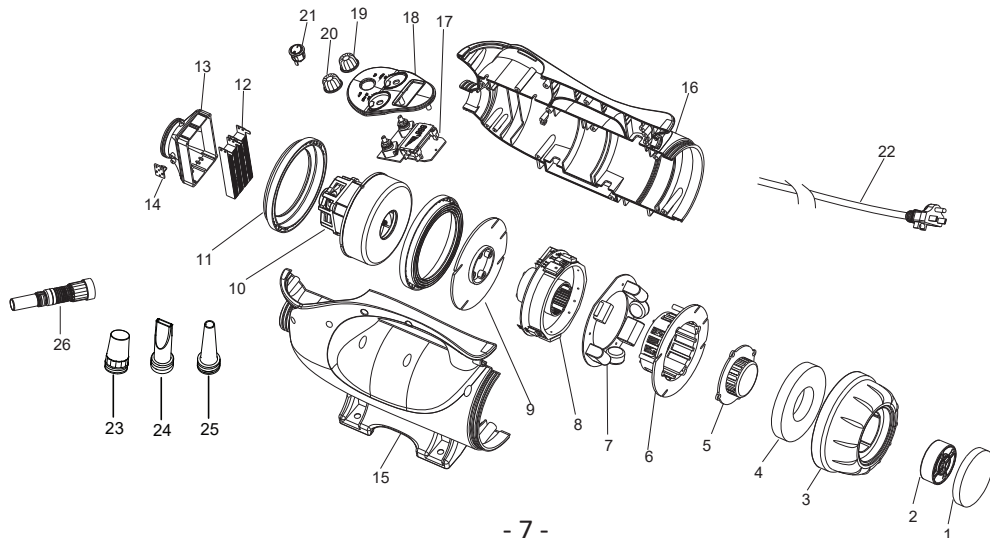
- This appliance is for use on a nominal 115V circuit (NEMA 5-15R), and has a grounding plug (NEMA 5-15P) as illustrated below. Make sure that the appliance is connected to an outlet having the same configuration as the plug. No adapter should be used with this appliance.



**SAVE THESE INSTRUCTIONS
HOUSEHOLD AND COMMERCIAL USE**

PART LIST

1	Inlet filter	8	PCB board 2	15	Left housing	22	Power cord
2	Crossed cover	9	Baffle board 2	16	Right housing	23	Round nozzle
3	Rear cover	10	Motor	17	PCB board 4	24	Flat nozzle
4	Motor filter	11	Motor rubber sleeve	18	Switch panel	25	Cone nozzle
5	Baffle board cover	12	Heater	19	Heat switch knob	26	Hose
6	Baffle board 1	13	Heater cover	20	Speed switch knob		
7	PCB board 1	14	PCB board 3	21	Switch		



MAINTENANCE

IMPORTANT!

Always turn off the unit and disconnect from electrical outlet before maintenabce or cleaning.

Product Maintenance:

1. To keep the Pet Dryer, use a damp cloth to wipe the surface of the housing. Removable part(s) and filters may be cleaned with water and dried thoroughly before reassembling.
2. When not in use, unplug and store the Pet Dryer in a dry place indoors and keep out of reach of children.

Cleaning Filters and Rear Cover:

The B-8 Pet Dryer has two washable filters - Inlet Filter and Motor Filter. The Inter filter is located on one side of dryer (rather than the side with hose). Open the rear cover to find motor filter. Both filters should be kept clean regularly. If the filters are coated with too much hair or dirt, the air output of the Dryer will be reduced, and this may cause damage to the motors or cause the motors to overheat. You should never operate the dryer without filters in place.

XPOWER LIMITED WARRANTY (USA)

XPOWER's Limited Warranty covers the unit (excludes POWER CORD) from defects in material and craftsmanship. The Warranty covers normal use for a term of one year from the original date of purchase including parts, labor, and one way shipping. Non-contiguous states must pay for roundtrip freight. A purchase receipt must be provided.

Important!

This warranty does not cover or apply to defects due directly or indirectly to misuse, abuse, disassembly, alteration, corrosive chemicals, improper voltage, fire, flood, negligence, accident, improperly or incorrectly performed maintenance or repair, or failure to perform necessary maintenance or repair, or if the use of this product is not in compliance with the instructions and specifications for its use

SERVICE

For Warranty service and parts replacement (US customer only), you must:

- A. Call 1-855-855-8868 for a RMA (Return-Merchandise-Authorization) number.
- B. Have original proof of purchase.
- C. Use the original undamaged packaging or an industrial certified packaging method.

End user will be responsible for shipping the unit (with RMA Number showing on the shipping label) to the XPOWER Service Department. XPOWER will inspect, assess and advise the repairs needed and the applicable cost, if any.

For users outside the US, please contact an XPOWER Distributor in your country or region for Warranty service and parts replacement.

XPOWER PET PRODUCTS FOR PROFESSIONAL GROOMING INDUSTRY

Force Dryers

B-4 (3 HP / 10 Amps / 150 CFM)

B-8 (4 HP / 12 Amps / 150 CFM) - brushless DC motor with heater

B-24 (3 HP / 12 Amps / 150 CFM) - with heater

B-25 (4 HP / 12 Amps / 160 CFM) - double motor

B-27 (6 HP / 16 Amps / 180 CFM) - double motor

Stand Dryers

B-16 (1/4 HP / 12 Amps / 300 CFM)

B-16S (1/4 HP / 15 Amps / 300 CFM)

Cage Dryers

X-430TF w/ 430MDK (1/3 HP / 3.8 Amps / 2000 CFM)

X-800TF w/ 800MDK (3/4 HP / 7.5 Amps / 3200 CFM)

Air Purification:

X-2380 / X-2580 - Air Scrubbers

APDS-1 - Air Purification & Drying System



Warranty Registration (for US user only)

For your product warranty, please complete and mail / fax this form to XPOWER MANUFACTURE, INC.

Address: 668 S. 6th Ave., City of Industry, CA 91746, USA Tel: 626-285-3301 Fax: 626-285-3302

(For your convenience, register your product online at xpower.com)

Your Name / Company Name _____

Contact Name _____ Title _____

Address _____ City _____ State _____ Zip _____

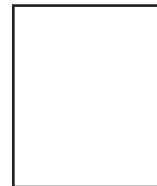
Phone _____ Fax _____ E-mail _____

Forced Air Dryer Model # _____ Serial # : _____

Date of Purchase ____/____/____ Purchased From _____



From: _____



TO:
XPOWER MANUFACTURE, INC.
668 S. 6th Ave.,
City of Industry, CA 91746, USA
Tel: 626-285-3301, Fax: 626-285-3302

