

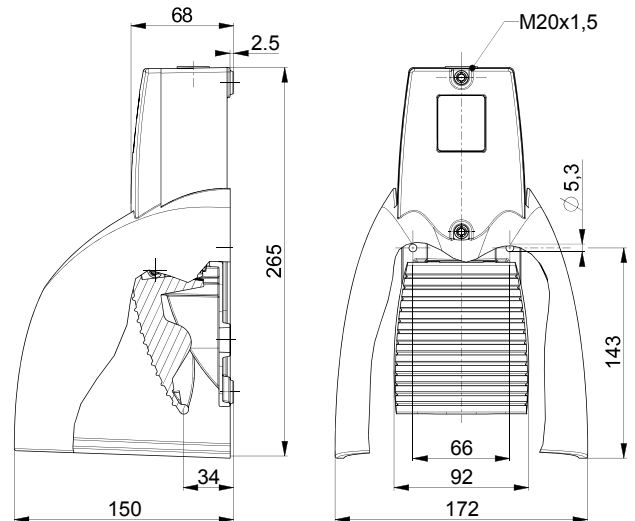


## Foot switch with metal enclosure GFSI 1Ö/1S -40°C ... +90°C Extreme Article no.: 1318331

### Product features

- Corrosion-resistant aluminium enclosure
- Salt-mist spray test to DIN EN ISO 9227
- High degree of protection IP66, IP67, IP69, IP69K depending on selected cable gland
- Temperature resistant from -40 °C to +90 °C
- With protective shield
- Ergonomic pedal design and wide opening in protective shield
- Wiring compartment
- Attention: Please state required international approvals with your order!

### Dimensions



### Technical data

#### Applied standards

EN 60947-5-1

#### Enclosure

aluminium die-cast, corrosion-resistant, powder-coated, passivated, anthracite grey, similar to RAL 7016

#### Pedal

aluminium die-cast, corrosion-resistant, hard-coated, powder-coated, anthracite grey, similar to RAL 7016

#### Protective shield

aluminium die-cast, corrosion-resistant, powder-coated, passivated, signal yellow, similar to RAL 1003

#### Screws

stainless steel

#### Degree of protection

IP66, IP67, IP69 (IEC/EN 60529) / IP69K (ISO 20653) depending on selected cable gland

#### B<sub>10d</sub> (10 % load)

2 million

#### T<sub>M</sub>

max. 20 years

#### Connection

screw connection terminals

#### Cable cross-section

max. 2.5 mm<sup>2</sup> (incl. conductor ferrules)

#### Cable entry

1 x M20 x 1.5

#### Contact material

silver

#### Switching system

slow action, positive break NC contacts ⊖

#### Switching elements

1 NC/1 NO contact, type Zb

#### Switch insert

1 x ES 60 GF

#### Conventional thermal current I<sub>the</sub>

16 A

#### Rated operating current/voltage I<sub>e</sub>/U<sub>e</sub>

16 A/400 VAC

#### Utilisation category

AC-15

#### Short-circuit protection

16 A gG/gN fuse

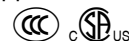
#### Ambient temperature

-40 °C ... +90 °C

#### Mechanical life

> 1 million operations

#### Approvals



#### Weight

1480 g

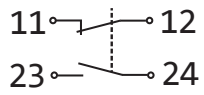
Errors and omissions excepted.



Foot switch with metal enclosure  
GFSI 1Ö/1S -40°C ... +90°C Extreme  
Article no.: 1318331

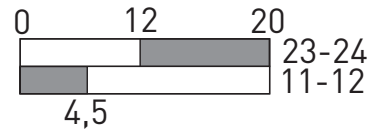
## Contact diagram

---



## Switching diagram

---



Errors and omissions excepted.