



<b>KTEB-228-1-TP-PH</b>	
Ballast Type	Electronic
Starting Method	Rapid Start
Lamp Connection	Parallel
Input Voltage	120Vac ± 10%
Input Frequency	60Hz / 50Hz

**ELECTRICAL SPECIFICATIONS:**

Lamp Type	No. of Lamp	Input Watts	Input Current (Amps)	Power Factor	Crest Factor	Ballast Factor	Ballast Efficacy Factor	Max. THD %
F28T5	2	56	0.83	0.56	1.42	0.86	1.54	130
F21T5	2	46	0.70	0.55	1.43	0.95	2.07	130

**PERFORMANCE:**

- Sound Rated: A
- Minimum Starting Temperature: 0°F, -18°C
- Maximum Case Temperature: 167°F, 75°C
- Lamp end-of-life protected
- Meets FCC Part 18 (Class B) Consumer Limits
- 3-Year Warranty

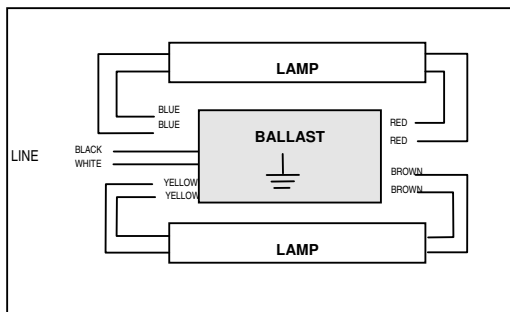
**APPROVALS:**

- UL, cUL 935 Listed.

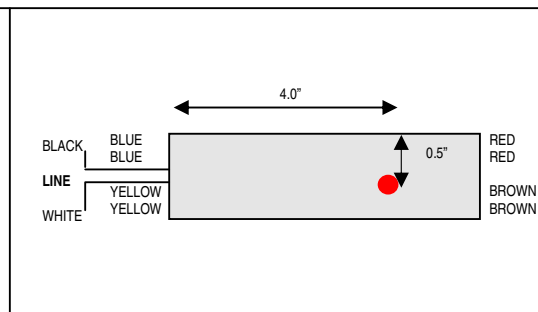
**PHYSICAL DIMENSIONS:**

Length (L):	6.46"
Width (W):	1.37"
Height (H):	1.00"
Mounting (M):	6.00"

**WIRING DIAGRAM:**



**Hot Spot Location:**



**KEYSTONE TECHNOLOGIES LLC.**  
P.O. Box 246, AMBLER, PENNSYLVANIA 19002  
PHONE: 215-283-2600  
FAX: 215-628-4412  
INFO@KEYSTONEBALLAST.COM  
WWW.KEYSTONEBALLAST.COM