

TWO-DOOR FREE-STAND, TYPE 4X



INDUSTRY STANDARDS

UL 508A Listed; Type 3, 3R, 4, 4X, 12; File No. E61997
 cUL Listed per CSA C22.2 No 94; Type 3, 3R, 4, 4X, 12; File No. E61997
 Enclosure flammability evaluated per UL 508A

NEMA Type 3, 3R, 4, 4X, 12, 13
 IEC 60529, IP66

Meets NEMA Type 3RX requirements

APPLICATION

An economical way to house electronics in corrosive environments, two-door enclosures provide easy access to equipment, larger capacity for control systems and steel reinforcements that ensure stability and strength. These enclosures feature captivated door screws and an optional POWERGLIDE Handle for secure latching.

SPECIFICATIONS

- Fiberglass-reinforced polyester material has excellent temperature and chemical resistance and exhibits outstanding physical properties. Epoxy vinyl ester material can be requested instead for protection against extremely corrosive chemical environments.
- Seams are sealed; no holes or knockouts
- Fiberglass material is easily punched, drilled, filed or sawed
- Models have either a 3-point latching system with handle or stainless steel captivated door screws
- Type 316 stainless steel POWERGLIDE Handle on handle versions
- Stainless steel captivated door screws on screw versions
- Gasket assures a watertight and dust-tight seal

- Painted steel top, bottom and side internal reinforcements standard; stainless steel corner reinforcements optional
- Two white painted, 12-gauge, mild-steel panels included.
- Solid centerpost (not removable) has heavy-gauge stiffener
- Heavy-duty Type 316 stainless steel lifting eyes
- Hinges are corrosion-resistant fiberglass with Type 316 stainless steel hinge pins
- Large data pocket (12.00 x 12.00 in. or 305 x 305 mm) is high-impact thermoplastic
- Molded-in angular sealing flange directs water away from gasket area
- Material is halogen free

FINISH

Standard fiberglass enclosure is gray inside and gel coated gray on the outside. White painted mild steel panels are included.

ACCESSORIES

See also Accessories.
 Bottom Support Kits
 Floor Stand Kit
 H2OMIT Vent Drains, Type 4X
 H2OMIT Thermoelectric Dehumidifier
 HOL-SEALERS Non-Metallic Hole Seals

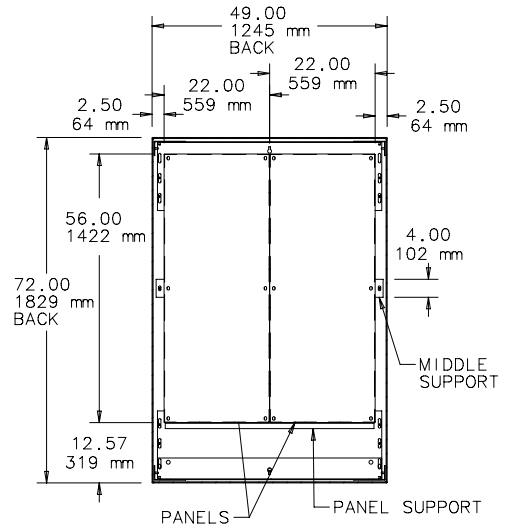
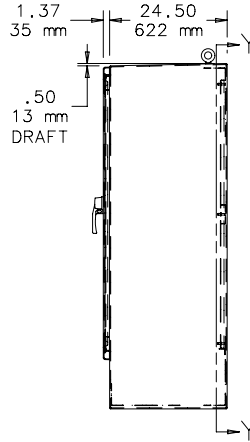
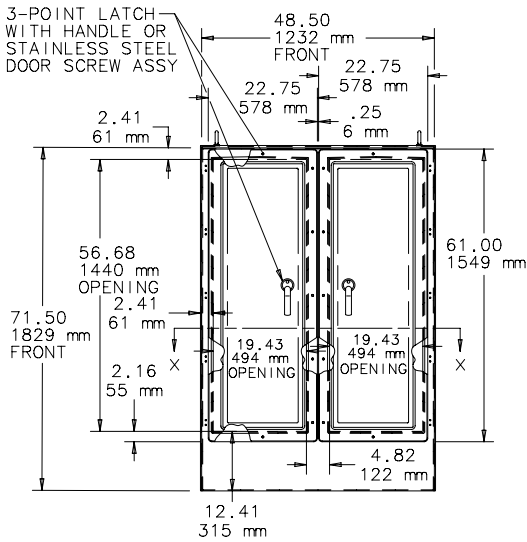
MODIFICATION AND CUSTOMIZATION

Hoffman excels at modifying and customizing products to your specifications. Contact your local Hoffman sales office or distributor for complete information.

BULLETIN: A17

Standard Product

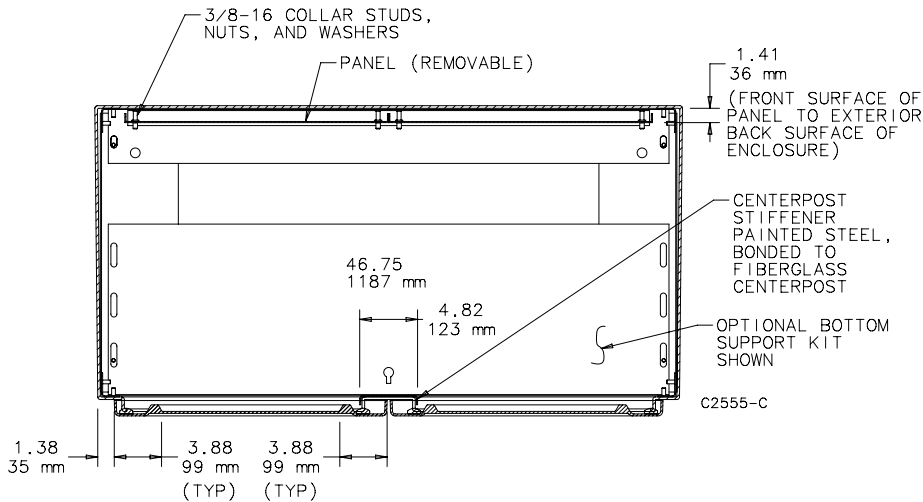
Catalog Number	AxBxC in./mm	Number of Panels	Panel Size in./mm
A724925FG	72.00 x 49.00 x 24.50 1829 x 1245 x 622	2	56.00 x 22.00 1422 x 559
A724925FGFS3PT	72.00 x 49.00 x 24.50 1829 x 1245 x 622	2	56.00 x 22.00 1422 x 559



SECTION Y-Y

- NOTE:
1. Upper, middle, and lower supports as well as centerpost stiffener are steel.
 2. Optional Bottom Support Kit required when installing Caster, Floor-Stand Kit, or Unistrut Mounting Kit.

NOTE: Section Y-Y shown with the optional Bottom Support Kit and Unistrut Mounting Kit accessories installed.



SECTION X-X

BOTTOM SUPPORT KITS

BULLETIN: A17Y

Catalog Number	Description
A17SUPPORT2	Inside Bottom Support - Enclosure bottom support to allow option of installing casters or floor stand kits
A17UNISTRUT	Bolt-On Unistrut Channel (8 channels) - Painted steel unistrut for accessory mounting

A17SUPPORT2 required to install A17UNISTRUT in two-door enclosures