

**Product Specifications**

**Part Numbers Information**

**Electrical Specifications**

600VAC – 1A - 30A  
 600VDC – 1A - 30A

**Standards**

1A-30A - Tested to UL 248-14 Standard. File E197390  
 1A-30A - Tested to CSA C22.2 No.248.14 Standard. File E197390

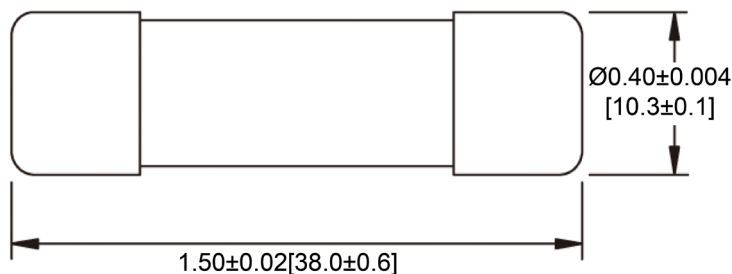


Supplementary Protection Only – Not rated for branch circuit protection

**Interrupting Rating**

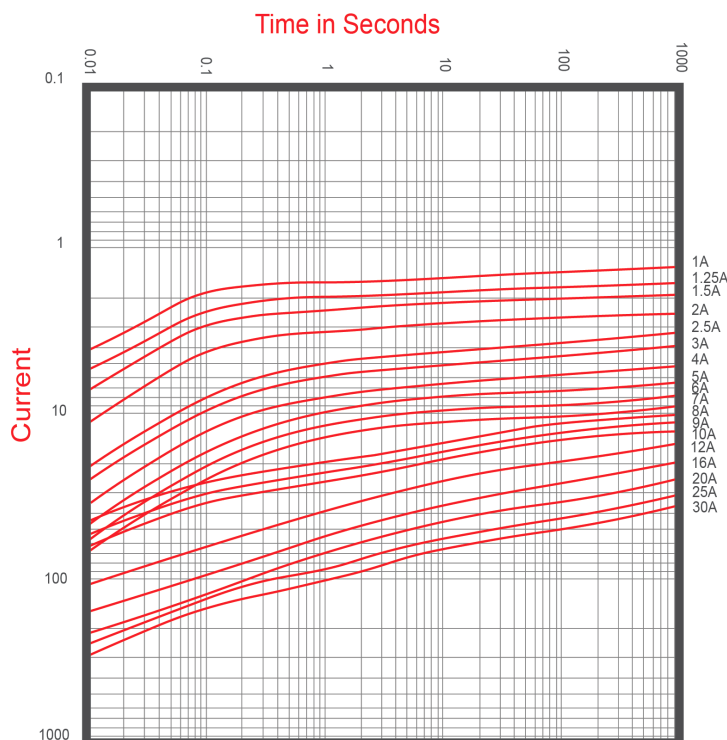
100,000 amperes at 600V AC(1A-30A)  
 10,000 amperes at 600V DC(1A-30A)

**Mechanical Dimensions: Inches [mm]**



Optifuse P/N	Current Rating
FPK-1A	1A
FPK-1.25A	1.25A
FPK-1.5A	1.5A
FPK-1.6A	1.6A
FPK-2A	2A
FPK-2.5A	2.5A
FPK-3A	3A
FPK-3.15A	3.15A
FPK-3.5A	3.5A
FPK-4A	4A
FPK-5A	5A
FPK-6A	6A
FPK-6.3A	6.3A
FPK-7A	7A
FPK-8A	8A
FPK-9A	9A
FPK-10A	10A
FPK-12A	12A
FPK-15A	15A
FPK-16A	16A
FPK-20A	20A
FPK-25A	25A
FPK-30A	30A

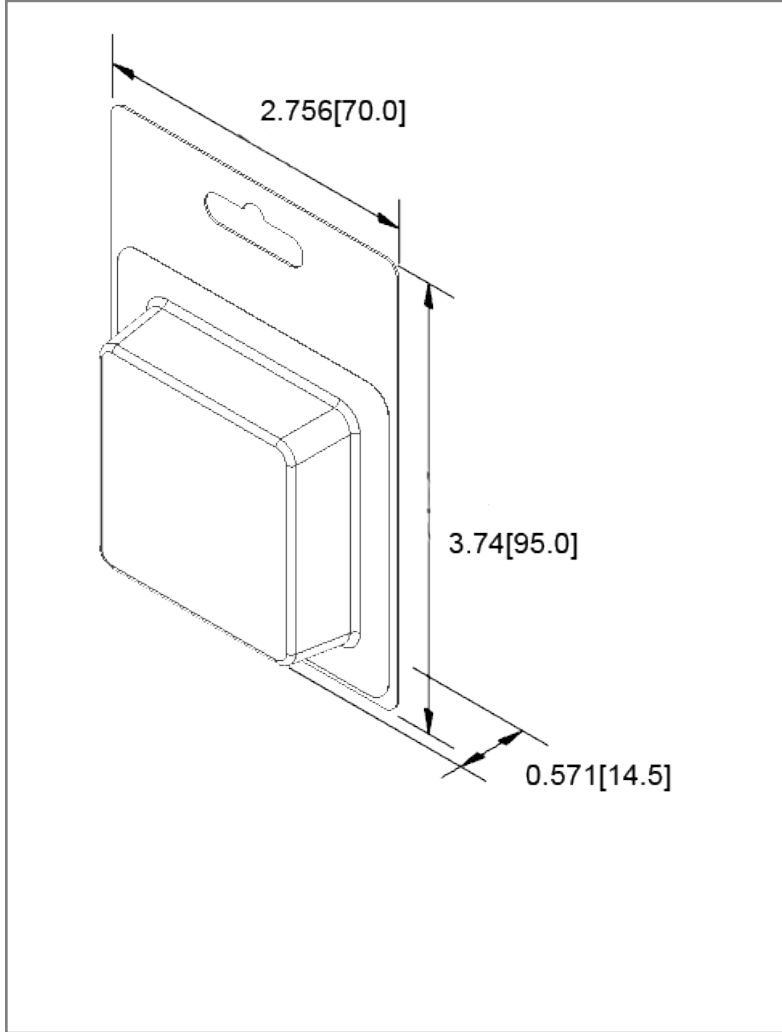
**Time vs. Percent of Rated Current**



% of Rated Current	Blowing Time
135%	1 hr Max
200%	120s Max

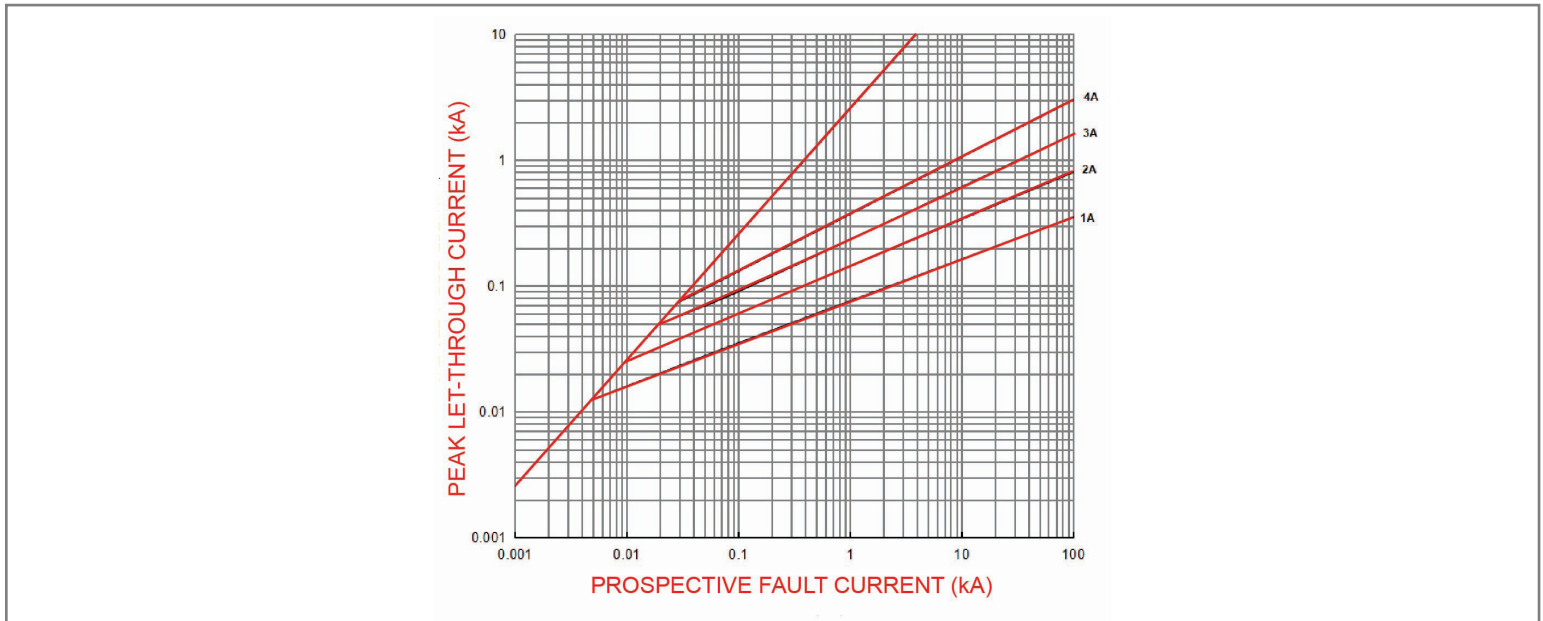
**Blister Pack: Inches [mm]**

**Retail Pack Part Number Information**



1A	FPK-1A-BP
1.25A	FPK-1.25A-BP
1.5A	FPK-.5A-BP
1.6A	FPK-1.6A-BP
2A	FPK-2A-BP
2.5A	FPK-2.5A-BP
3A	FPK-3A-BP
3.15A	FPK-3.15A-BP
3.5A	FPK-3.5A-BP
4A	FPK-4A-BP
5A	FPK-5A-BP
6A	FPK-6A-BP
6.3A	FPK-6.3A-BP
7A	FPK-7A-BP
8A	FPK-8A-BP
9A	FPK-9A-BP
10A	FPK-10A-BP
12A	FPK-12A-BP
15A	FPK-15A-BP
16A	FPK-16A-BP

**Peak Let-Thru Curve**



Rev	Date of issue	Revision Notes	Designed	Approved
D	01-06-2026	Added Peak Let-Thru Curve Graph	RC	OF