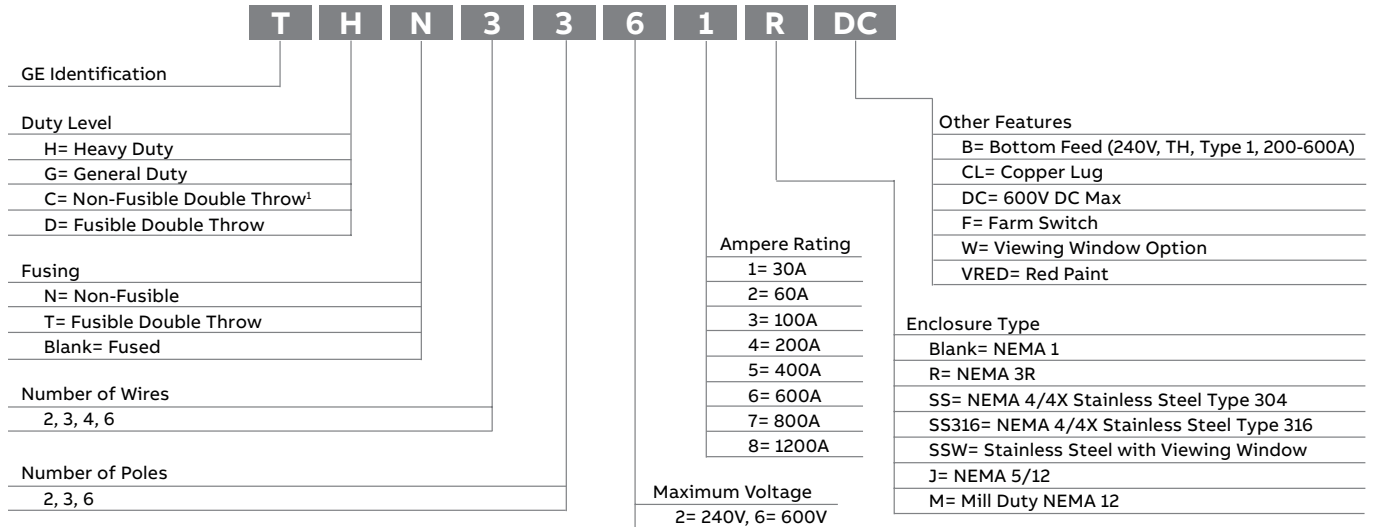


Safety switches

Ordering code construction



¹ 800A and 1200A non-double throw safety switches also use the C Duty Level nomenclature

Note: This information is provided for interpreting numbers. It should not be used to build product numbers.

All ABB Spec-Setter safety switches carry the following certifications:

- UL Listed and cUL Listed (UL98 Enclosed Switches/CSA-C22.2 No. 4-04)
- Federal Specification WS-865C
- NEMA Enclosed Safety Switch Standard KS1-2013
- Seismic Certified
- Service Entrance Rated (unless otherwise noted)

Horsepower rated

All Spec-Setter safety switches are horsepower rated with the following exceptions:

- 800A single throw type TC switches
- 1200A single and double throw type TC and TDT switches

Safety switches

Stocked general duty safety switches



			240V		
		Amps	2-pole/3-wire	3-pole/3-wire	3-pole/4-wire
Fused	NEMA 1	30	TG3221	---	TG4321
		60	TG3222	---	TG4322
		100	TG3223	---	TG4323
		200	---	---	TG4324
		400	---	---	TG4325
		600	---	---	TG4326
	NEMA 3R	30	TG3221R	---	TG4321R
		60	TG3222R	---	TG4322R
		100	TG3223R	---	TG4323R
		200	TG3224R	---	TG4324R
		400	TG3225R	TG3325R	---
		600	TG3226R	TG3326R	---
Non-fusible	NEMA 1	30	---	TGN3321	---
		60	---	TGN3322	---
		100	---	TGN3323	---
		200	---	TGN3324	---
	NEMA 3R	30	---	TGN3321R	---
		60	---	TGN3322R	---
		100	---	TGN3323R	---
		200	---	TGN3324R	---