

Rolled Steel AC Motors, Three Phase

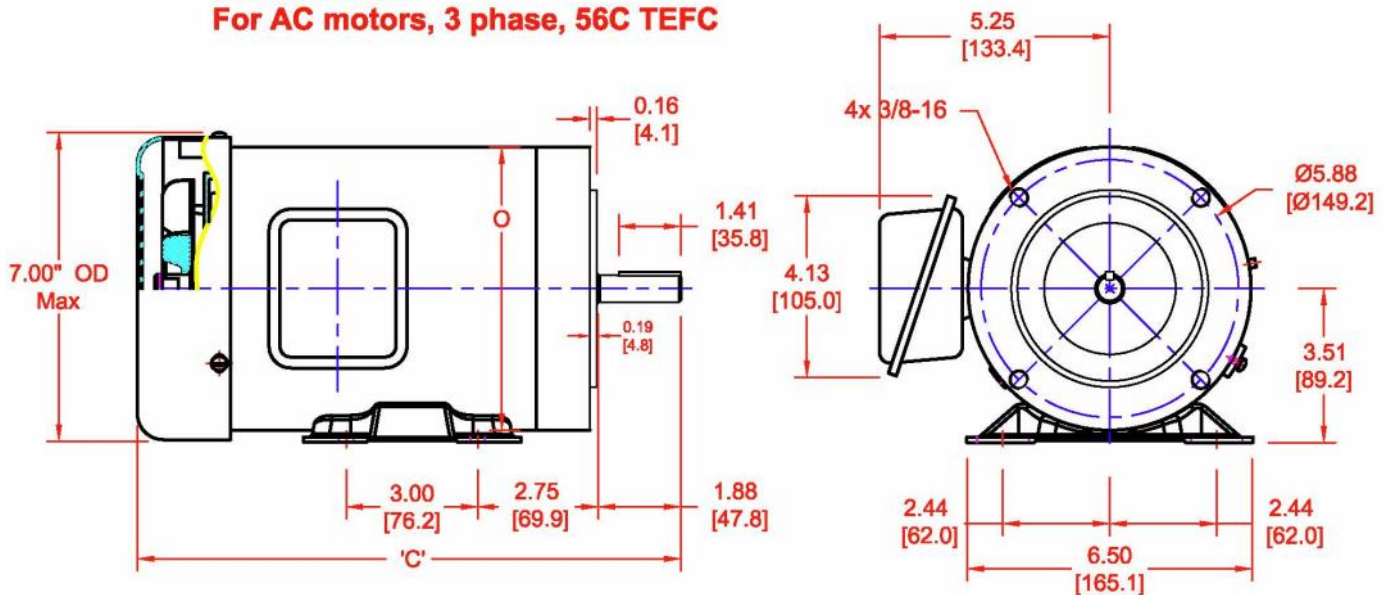


Features

- Totally Enclosed Fan Cooled (TEFC) enclosure
- Dual mounting with NEMA 56C and removable base
- Inverter duty
- Class F insulation
- Rolled steel shell frame / cast aluminum end bell
- Removable base / bolt-on/bolt-off mounting feet
- Large all-metal capacitor cover with rubber gasket
- Large easy-to-wire junction box with rubber gasket
- Heavy duty oversized ball bearings
- High tensile strength steel shaft
- Electrically reversible
- NEMA design B
- Service Factor: 1.15

Item #	HP	RPM	Voltage	Frame	Encl.	O (max)	C (max)	F.L Amps	S. F.	Weight
MA0503F	1/3	3450	208-230/460	56C	TEFC	6.5	11.5	1.44/0.72	1.15	20
MA0505F	1/2	3450	208-230/460	56C	TEFC	6.5	11.5	1.78/0.93	1.15	22
MA0507F	3/4	3450	208-230/460	56C	TEFC	6.5	12.5	2.35/1.24	1.15	24
MA0510F	1	3450	208-230/460	56C	TEFC	6.5	12.5	3.4/1.7	1.15	33
MA0515F	1.5	3450	208-230/460	56C	TEFC	6.5	13.1	4.2/2.1	1.15	36
MA0520F	2	3450	208-230/460	56C	TEFC	6.5	13.1	5.88/2.94	1.15	39

DIMENSIONS For AC motors, 3 phase, 56C TEFC



HALLMARK INDUSTRIES, INC.