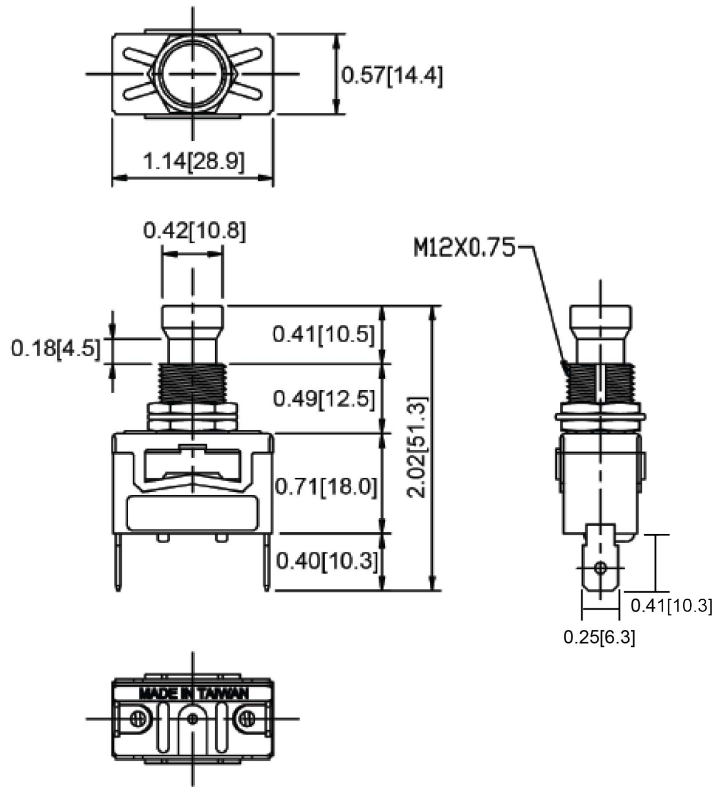
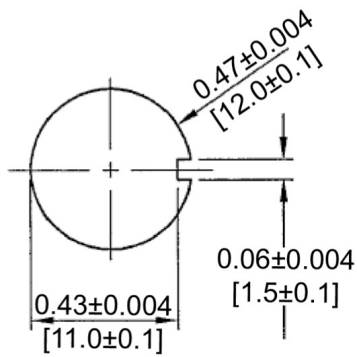


Mechanical Dimensions: Inches [mm]

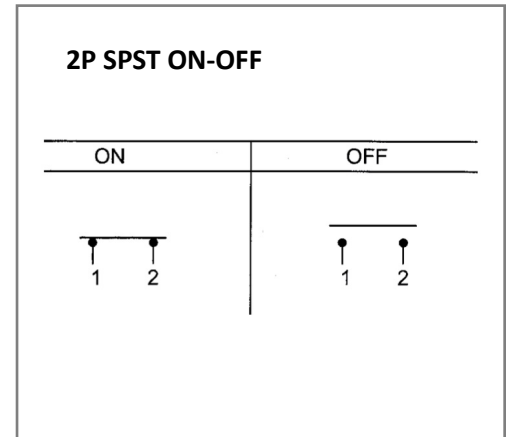
Tolerances ± 0.012 [0.3] Unless Otherwise Specified



Mounting Hole



Circuit Diagram



Electrical Specifications

Rating	10A 12VDC
Contact Resistance	20m ohm Max
Insulation Resistance	DC 500V 200M ohm Min
Dielectric Strength	AC 1500V 1 minute
Operation Temperature	-20°C~88°C

Push Button Switch

PE1-1A-DC-1



Rev **Date of issue** **Revision Notes**

Designed **Approved**

A	08-01-2023	Initial Drawing	RC	OF
---	------------	-----------------	----	----