



# ZILARA™

## Canopy Light



SKU	DLC Model #
156782	CP05-150L-CS-3CCT

The ZILARA LED Canopy Light from Beyond LED Technology delivers exceptional performance, efficiency, and a sleek, durable design, making it the perfect lighting solution for commercial canopy applications. This versatile fixture is available in two models. One with adjustable wattage and adjustable CCT, offering full flexibility to customize your lighting output and color temperature. Another with single wattage and single CCT, providing a more streamlined option for standard lighting needs. With an impressive output of up to 140 lumens per watt, the ZILARA ensures maximum energy savings and provides optimal illumination for any space. Designed for easy installation, it features fasteners and a locking collar for a secure, watertight fit. The ZILARA supports both surface mounting from below the canopy deck and pendant mounting, giving you the flexibility to meet various installation requirements.

### Product Features

- Up to 140 lm/W
- Adjustable wattage
- Adjustable CCT
- 0-10V Dimmable
- 120° Beam Angle
- Built-in 10KV surge protector
- 3/4" pipe mount compatibility
- Die-cast aluminum
- White housing
- Input Voltage 120-277VAC
- UL & DLC listed
- 5-year warranty

# ZILARA™

## Canopy Light



SKU	ADJ. WATT	MAX LUMENS	ADJ. CCT	INPUT VOLTAGE	CRI	LIGHT SPREAD	CONSTRUCTION	DIMMING	IP RATING	CERTIFICATIONS
156782	100W/120W/150W	21000	4K/5K/5700K	120-277V	>80	120°	Die-cast Aluminum+PC	0-10V	IP65	UL & DLC

**SKU: 156782**

### Specifications

Parameter	Description	Value
General Performance	Model #	CP05-150L-CS-3CCT
	Adjustable Watt	100W / 120W / 150W
	Max Lumens	21000
	Lumen Efficacy	Up to 140LM/W
	Color Temperature	4000K / 5000K / 5700K
	CRI (Ra)	>80
	Light Spread	120°
Electrical	Diffuser Type	PC Lens
	Input Voltage	120-277Vac
	Frequency	50/60Hz
	THD	≤20%
	Dimming	0-10V
	Power Factor	≥0.9
	Driver Brand	Sosen
	Driver Model	SS-160NH-E Series
Physical	Driver Surge Protection	L/N 6KV, L/N-P 6KV
	Flicker Percent	<5%
	Operating Temperature	-40°C To 45°C
	Operating Humidity	10% - 90% RH
	Storage Temperature	-40°C TO 90°C
	Storage Humidity	5% - 95% RH
	LED Brand	Lumileds
Qualification	LED Type	SMD2835
	LED QTY	520 Pcs
	Construction	ADC12 Aluminum Die Casting
	Housing Color	White
	IP Rating	IP65
Warranty	5 Year warranty	

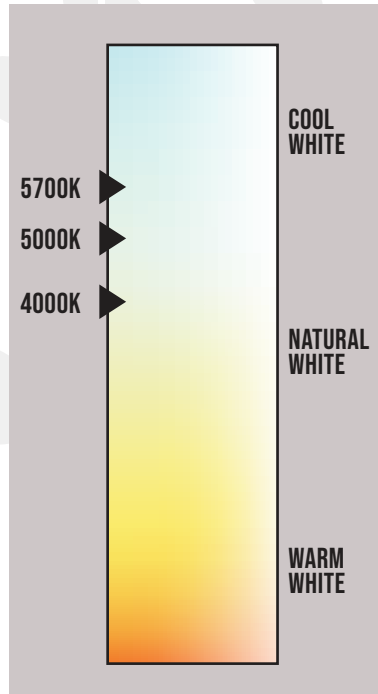
CANOPY LIGHT



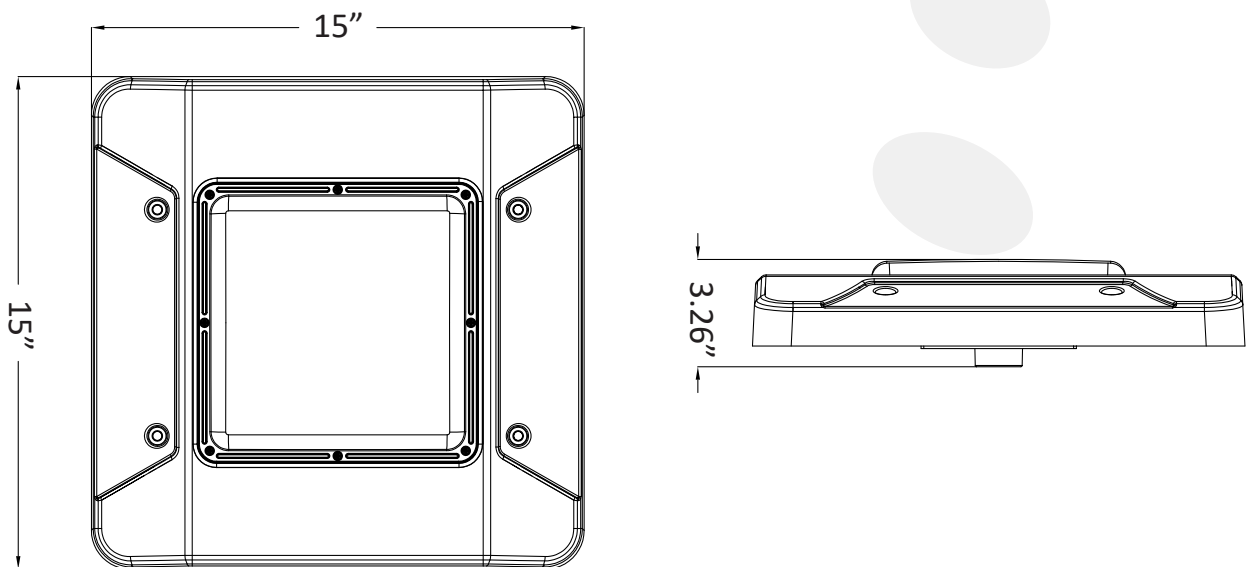
# ZILARA™

## Canopy Light

### Correlated Color Temperature (CCT)



### Dimensions



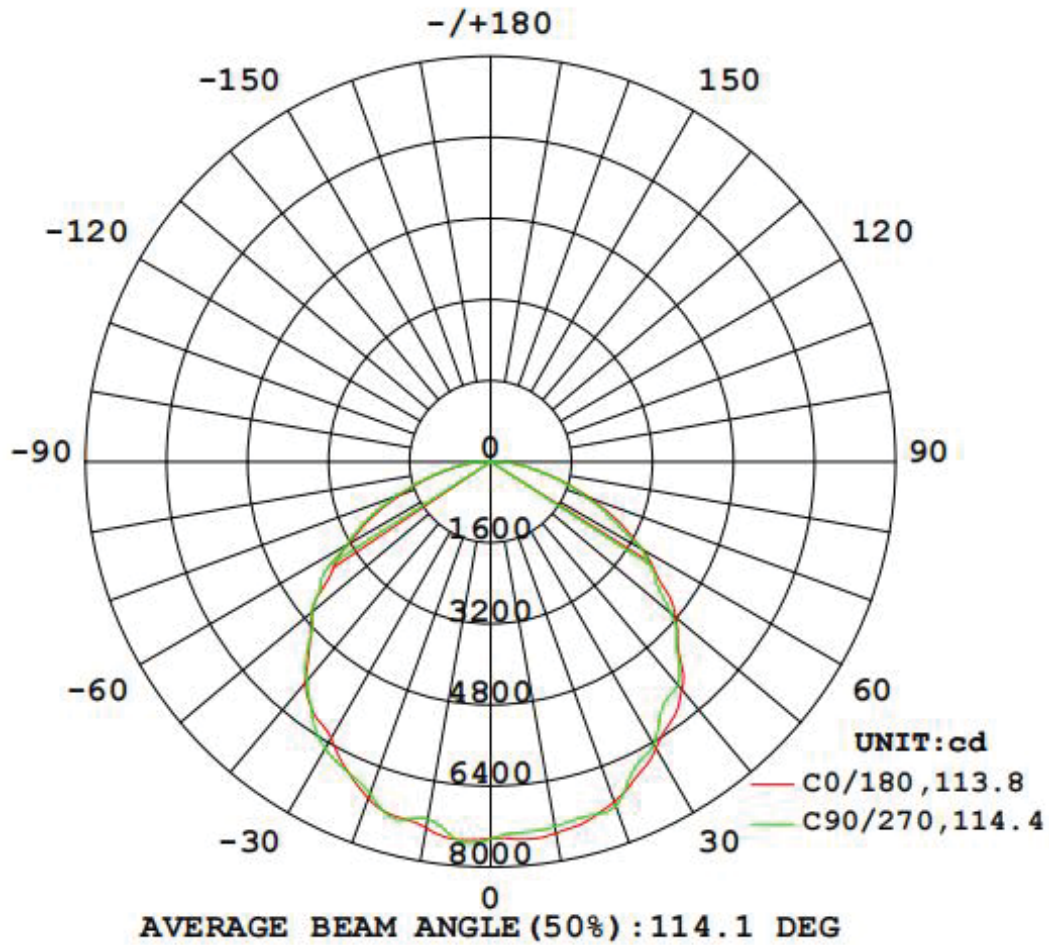
# ZILARA™

## Canopy Light



### Photometric Data

#### Luminous Intensity Distribution





### Installation

Please read the user manual carefully and follow it. This will help to prevent damage of the product, prolong its lifespan and it will be helpful for your normal use and maintenance, to ensure that your life safety. Please keep the manual properly.

Part No.	Input Voltage	Frequency	Power	Rated Current
CP05-120	AC120-277V	50/60Hz	120W	1.1A
CP05-150	AC120-277V	50/60Hz	150W	1.38A

### WARNINGS

THE LED CANOPY MUST BE INSTALLED IN ACCORDANCE WITH ALL APPLICABLE ELECTRICAL CODES BY PERSONS FAMILIAR WITH THE INSTALLATION, OPERATION, AND/OR MAINTENANCE OF THE PRODUCTS AND THE HAZARDS INVOLVED. THE LED CANOPY MUST BE INSTALLED WITH UL LISTED CONDUIT FITTINGS.

- Risk of fire or electric shock.
  - 1-1 Make sure the working voltage of LED Canopy is under its rated voltage.
  - 1-2 Make sure the accessories and wires are completed and intact during the installation.
  - 1-3 Installation requires knowledge of electrical systems. For install by qualified electrician only.  
Do not attempt installation if not qualified.
  - 1-4. This fixture should only be installed in place of existing luminaries that have the construction features and dimensions specified in this manual.
- Do not expose any wire to edge of sheet metal and/or other sharp objects that may cause damage or abrasion.
- Do not change existing open holes or create any additional open holes in the fixture or its components during installation.

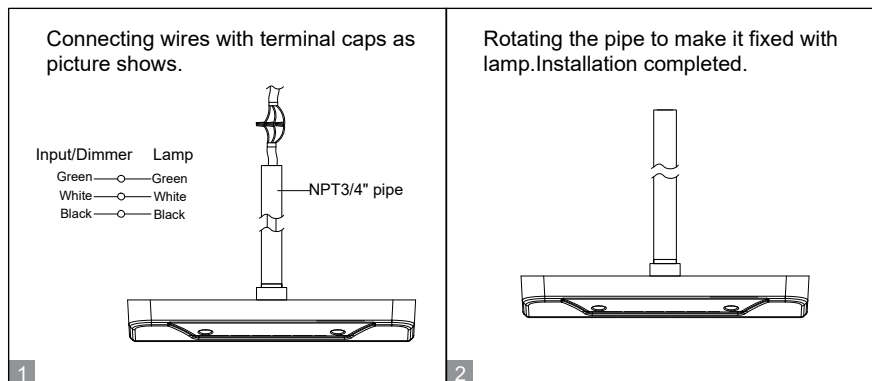
### CAUTIONS

- Be certain electrical power is OFF before and during installation and maintenance.
- To prevent wiring damage or abrasion, do not expose wiring to edges of sheet metal or other sharp objects.
- Do not use the LED Canopy near heating appliances/ elements.
- The input voltage and lamps should be matched after connecting the power line, please make sure the wiring section is insulated.

LED Canopy must be operated within an ambient temperature range of -22°F to 113°F (-30°C to + 45°C).

LED Canopy is not intended for use with emergency exits.

### Installation Method I: Pole-Pendant Installation



# ZILARA™

## Canopy Light



### Installation

#### Installation method II: Ceiling Installation

<p>Secure one side of the safety cord to the back of the radiator.</p> <p>1</p>	<p>Use the hole cutter to cut the corresponding sized holes in the ceiling.</p> <p>2</p>	<p>Fixed the safety rope on the ceiling. Making a wiring connection according to the wiring diagrams. Fixed the fixture on the ceiling with bolts and nuts. Installation done.</p> <p>3</p>
---	--	---

#### Selectable CCT and wattage function installation

<p>Unscrew the cap;</p> <p>1</p>	<p>Adjust the CCT selectable DIP switch or the wattage selectable DIP switch accordingly;</p> <p>2</p>	<p>Tighten the cap</p> <p>3</p>
----------------------------------	--	---------------------------------

#### Sensing function installation

<p>Unscrew the cap;</p> <p>1</p>	<p>Tighten the motion sensor;</p> <p>2</p>
----------------------------------	--

CANOPY LIGHT



# ZILARA™

## Canopy Light

### Packaging

SKU	Box Dimension	Qty	Net Weight	Gross Weight
156782	17.91" x 17.91" x 5.11"	1 Pc/Box	10.40LBS	12.50LBS

### Application Image



### Warranty

This product is covered under a 5-year warranty. For complete warranty details, [Click Here.](#)