

INSTALLATION INSTRUCTIONS

Model 5017PHXLR-BK

FOR YOUR SAFETY WARNING: BE SURE THE ELECTRICITY TO THE WIRES YOU ARE WORKING ON IS SHUT OFF; EITHER THE FUSE IS REMOVED OR THE CIRCUIT BREAKER IS SHUT OFF. GENERAL You don't need special tools to install this fixture. Be sure to follow the steps in the order given. Under no circumstances should a fixture be hung on house electrical wires, nor should a swag type fixture be installed on a ceiling which contains a radiant type heating system. Read instructions carefully. If you are unclear as to how to proceed, consult a qualified electrician.

NOTE: Proper wiring is essential for the safe operation of this fixture.

HANGING THE FIXTURE (Fig. 1)

1. Shut off the power at the circuit breaker and remove the old fixture including the mounting hardware.
2. Carefully unpack your new fixture and lay out all the parts on a clear area. Take care not to lose any small parts necessary for installation.
3. Lower the post (A) toward pole, hang post (A) on the pole by safety cable w/hook(C)(This will allow for the fixture to be supported while wire connections are made.)

CONNECTINE THE WIRES (Fig.2)

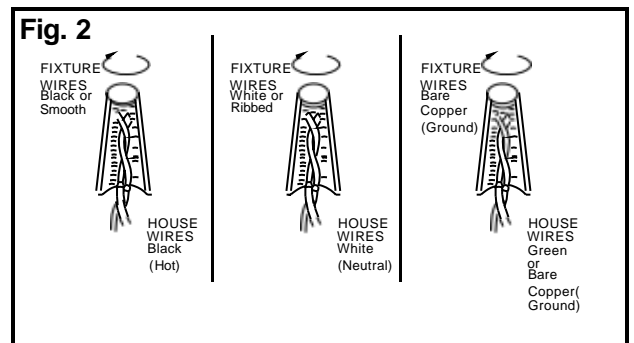
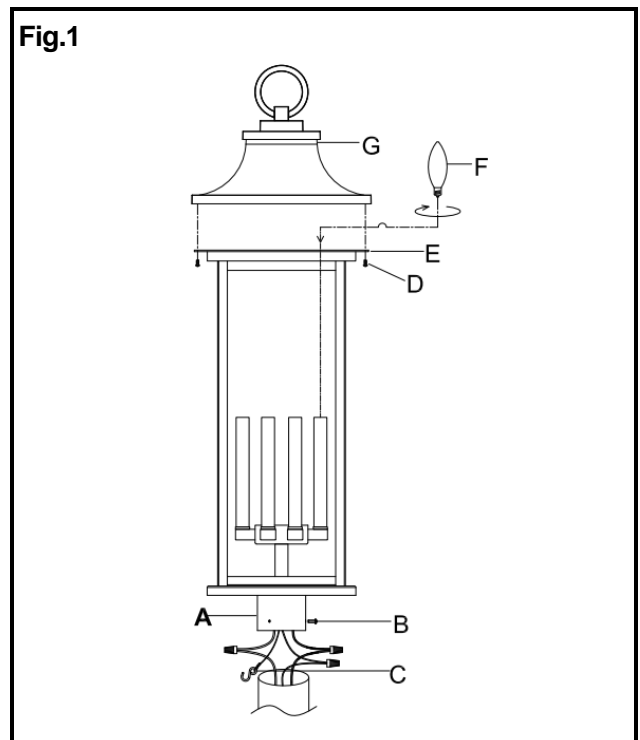
3. While supporting the fixture, connect the electrical wires as shown in figure 2. If your post has a ground wire (green or bare copper), connect the fixture ground wire to it. If not, consult your electrician for proper grounding. After the wires are connected, tuck them carefully inside the post (A).
4. Place the fixture onto pole, and secure with the 3 mounting screws (B).

COMPLETING THE INSTALLATION (Fig. 1)

5. Take off the roof (G) from the cage (E) by loosening mounting screws (D), install the bulb (E 12 Candelabra base, not included.)in accordance with the fixture's specification. Attach the roof (G) back to the cage (E) by mounting screws (D).

DO NOT EXCEED THE MAXIMUM WATTAGE RATING!

Your installation is now complete. Return power to the junction box and test the fixture



533PM

Base

Long Screws

Anchor

