



UNION™

Flood Light



SKU #	DLC Model #
156693	BLT-FL21-200WBH6SA1-BR3NP10SPWR50
156598	BLT-FL21-300WBH6SA1-BR3NP10SPWR50

UNION is the latest innovation in our high-performance flood light for 2024. Delivering an impressive output of up to 45,000 lumens with a 5000K color temperature, this advanced LED Flood Light is engineered to exceed the performance of traditional 1000W metal halide fixtures. It is available in a range of wattages and includes both a yoke mount and slip fitter for flexible installation. Equipped with NEMA 6x6 optics, the UNION Flood Light offers precision illumination and reliable coverage across a wide variety of outdoor environments. Designed for effortless integration, it is ideal for building facades, parking lots, tennis courts, signage, warehouses, and security lighting applications.

Product Features

- Up to 150 lm/W
- Adjustable Wattage
- CCT 5000K
- 0-10V Dimmable
- 100*130° Beam Angle
- NEMA 6H6V optics
- Built-in 10KV surge protector
- Yoke & Slip Fitter mounts included
- Bronze housing
- Input voltage 120-277VAC
- UL & DLC listed
- 5-year warranty

UNION™

Flood Light



SKU	ADJ. WATT	MAX LUMENS	CCT	INPUT VOLTAGE	CRI	LIGHT SPREAD	CONSTRUCTION	DIMMING	IP RATING	CERTIFICATIONS
156693	120W/150W/200W	30000	5000K	120-277V	>80	100*130°	Die-cast Aluminum+ clear Tempered glass	0-10V	IP65	UL & DLC
156598	200W/240W/300W	45000	5000K	120-277V	>80	100*130°		0-10V	IP65	UL & DLC

SKU: 156693 Specifications

Parameter	Description	Value
General Performance	Adjustable Watt	120W / 150W / 200W
	Max Lumens	30000
	Lumen Efficacy	Up to 150LM/W
	Color Temperature	5000K
	CRI (Ra)	>80
	Light Spread	100*130°
	Input Voltage	120-277Vac
	Distribution Pattern	Clear Tempered Glass
Electrical	Frequency	50/60Hz
	Dimming	0-10V
	PF (Tolerance: -3%)	≥0.9
	THD (Tolerance : +5%)	≤20%
	Flicker Percent	<5%
	Driver Brand	LIFUD
	Driver Model	LF-FAC200
Driver Surge Protection	L/N-PE: 6kV, L-N: 6kV, also with extra 10KV SP	
Physical	Operating Temperature	-40°C TO 50°C
	Storage Temperature	-40°C TO 80°C
	Operating Humidity	20% - 90% RH
	Storage Humidity	20% - 90% RH
	LED Brand	Lumileds
	LED Type	SMD2835
	LED QTY	504 PCS
Construction	Die-cast aluminum	
Qualification	Housing Color	Bronze
	IP Rating	IP65
	Warranty	5 Year warranty



UNION™

Flood Light

SKU: 156598

Specifications

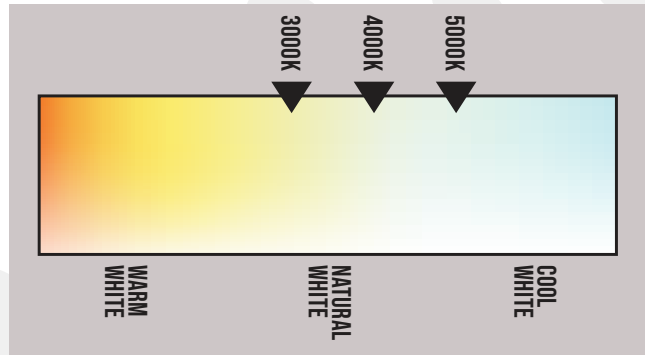
Parameter	Description	Value
General Performance	Adjustable Watt	200W / 240W / 300W
	Max Lumens	45000
	Lumen Efficacy	Up to 150LM/W
	Color Temperature	5000K
	CRI (Ra)	>80
	Light Spread	100*130°
	Input Voltage	120-277Vac
	Distribution Pattern	Clear Tempered Glass
Electrical	Frequency	50/60Hz
	Dimming	0-10V
	PF (Tolerance: -3%)	≥0.9
	THD (Tolerance : +5%)	≤20%
	Flicker Percent	<5%
	Driver Brand	LIFUD
	Driver Model	LF-FAC320
	Driver Surge Protection	L/N-PE: 6kV, L-N: 6kV, also with extra 10KV SP
Physical	Operating Temperature	-40°C TO 50°C
	Storage Temperature	-40°C TO 80°C
	Operating Humidity	20% - 90% RH
	Storage Humidity	20% - 90% RH
	LED Brand	Lumileds
	LED Type	SMD2835
	LED QTY	960PCS
	Construction	Die-cast aluminum
Qualification	Housing Color	Bronze
	IP Rating	IP65
	Warranty	5 Year warranty

UNION™

Flood Light



Correlated Color Temperature (CCT)



Brackets Included

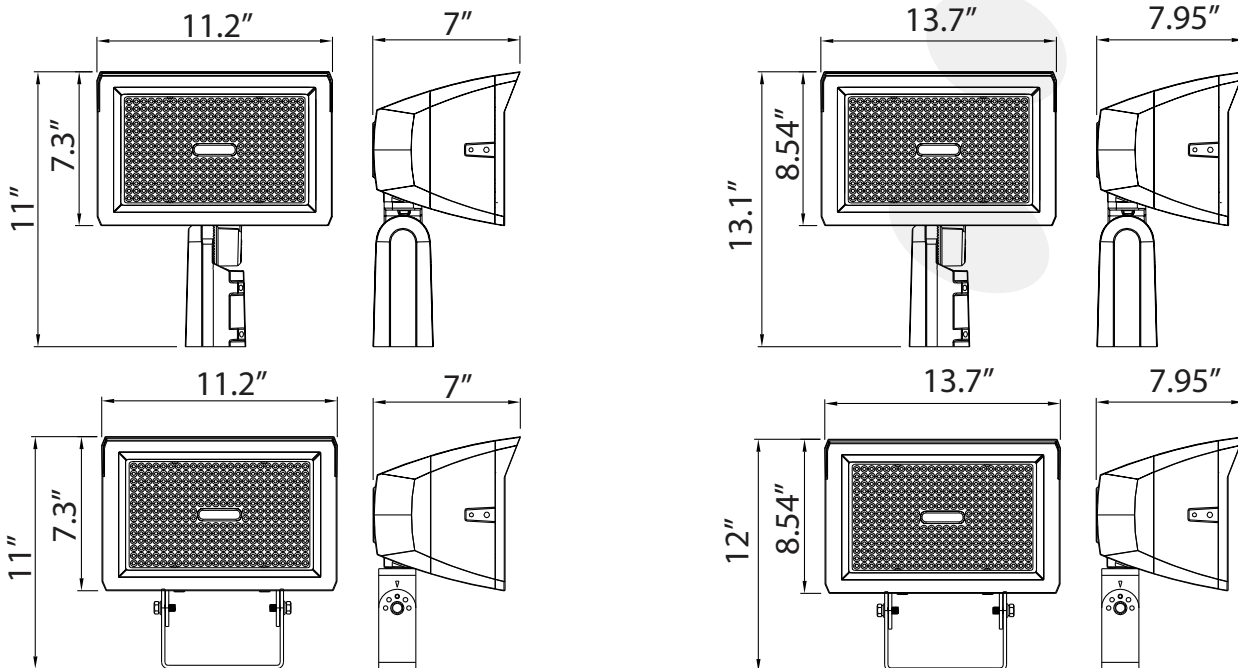


Slip Fitter



Yoke Mount

Dimensions





UNION™ Flood Light

Product Appearance

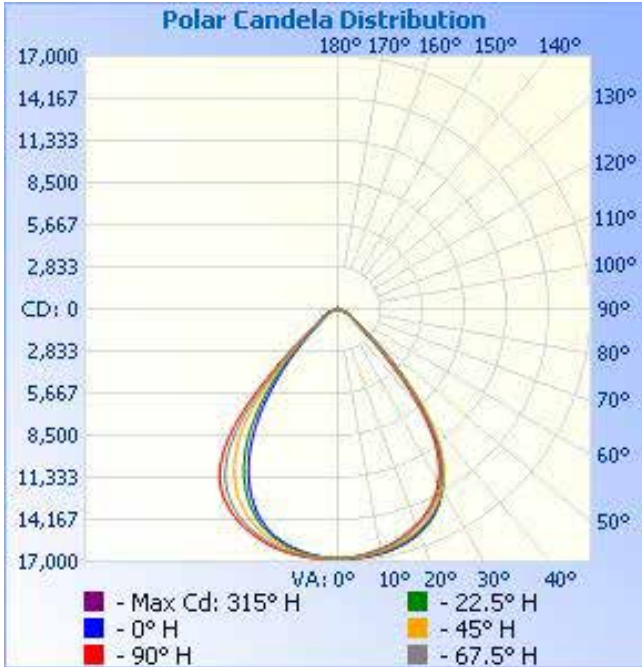


UNION™ Flood Light



SKU: 156693

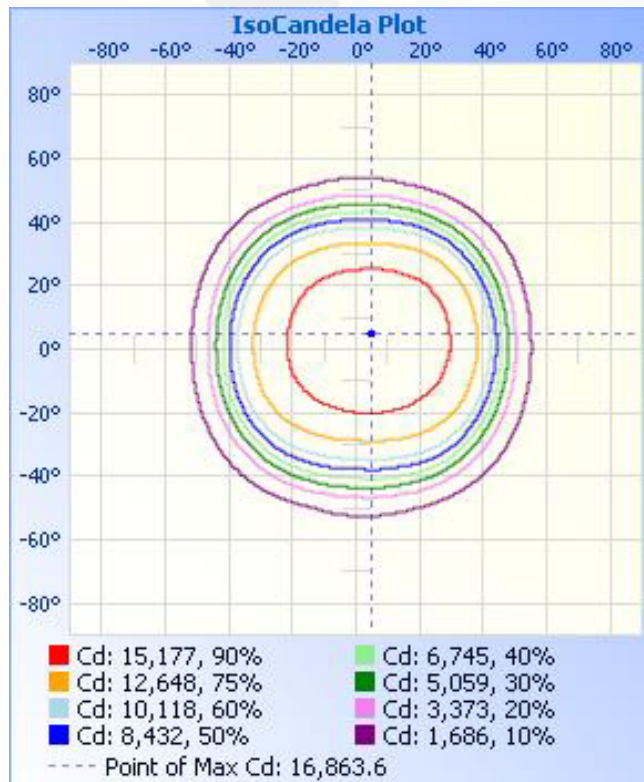
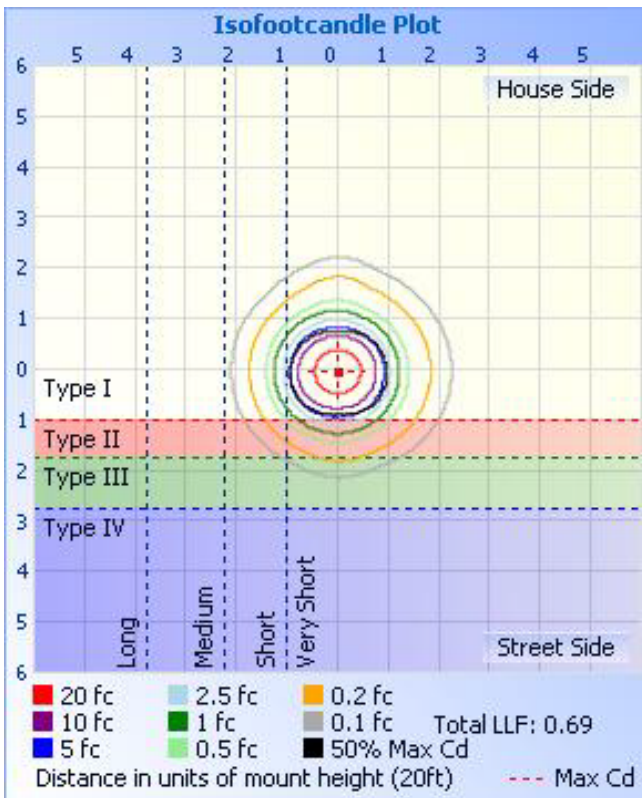
Photometric Data



Illuminance at a Distance

	Center Beam fc	Beam Width	
17.0ft	58.1 fc	27.9 ft	30.4 ft
34.0ft	14.5 fc	55.7 ft	60.8 ft
51.0ft	6.45 fc	83.6 ft	91.2 ft
68.0ft	3.63 fc	111.5 ft	121.6 ft
85.0ft	2.32 fc	139.4 ft	152.0 ft
102.0ft	1.61 fc	167.2 ft	182.4 ft

■ Vert. Spread: 78.7°
■ Horiz. Spread: 83.6°



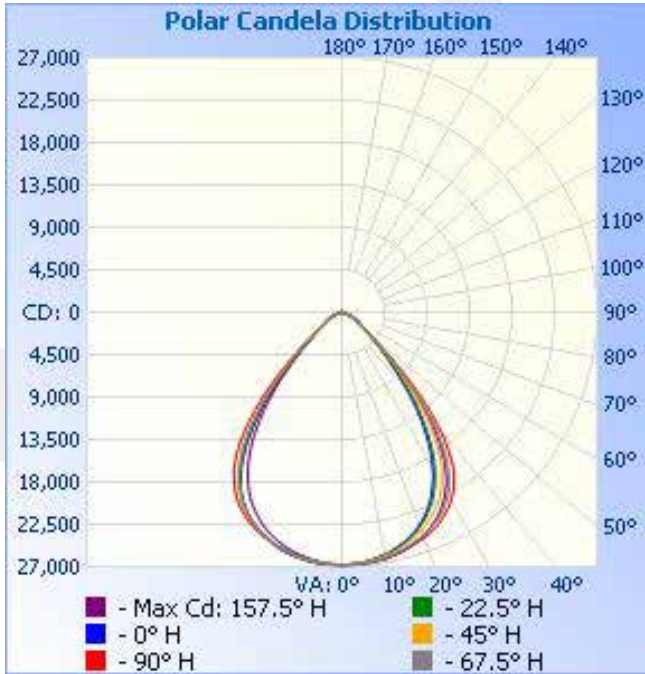
FLOOD LIGHT



UNION™ Flood Light

SKU: 156598

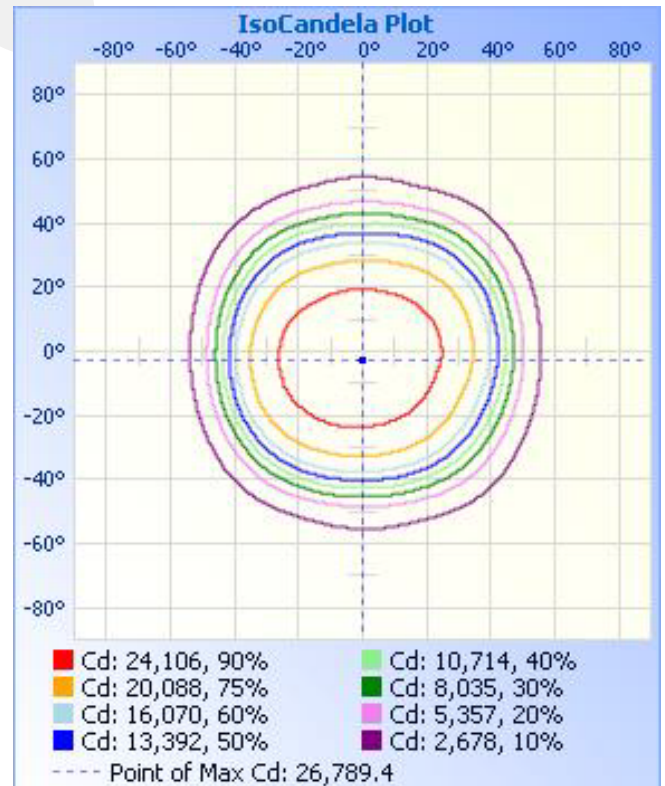
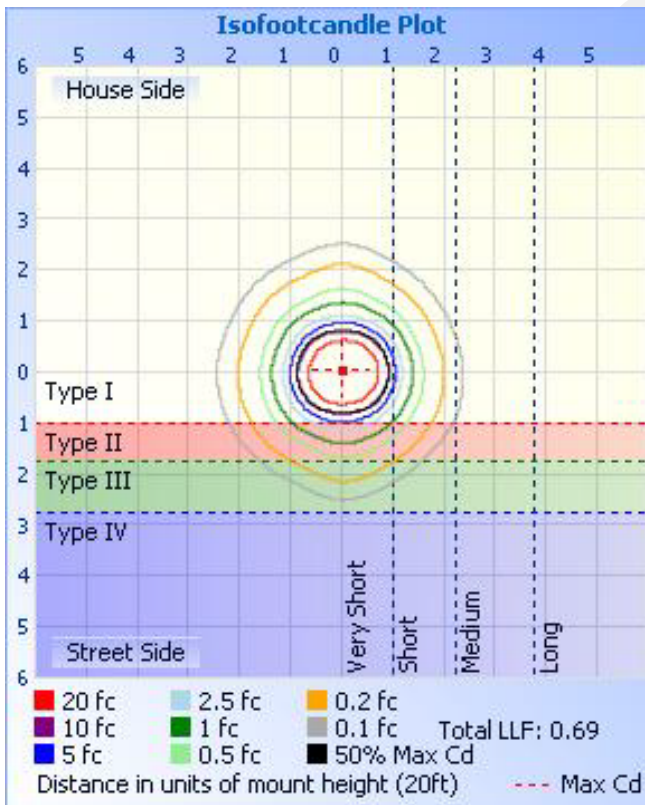
Photometric Data



Illuminance at a Distance

	Center Beam fc	Beam Width	
17.0ft	92.6 fc	27.0 ft	30.5 ft
34.0ft	23.2 fc	53.9 ft	61.1 ft
51.0ft	10.3 fc	80.9 ft	91.6 ft
68.0ft	5.79 fc	107.8 ft	122.2 ft
85.0ft	3.70 fc	134.8 ft	152.7 ft
102.0ft	2.57 fc	161.7 ft	183.3 ft

■ Vert. Spread: 76.8°
■ Horiz. Spread: 83.9°



FLOOD LIGHT

UNION™

Flood Light



Installation

Cautions:

1. Do not use the electric generator to test the LED light.
2. Abide by related country, regional and local law and regulations when install this fixture.
3. To avoid electrical shock and damage, please do not install the lights in raining days.

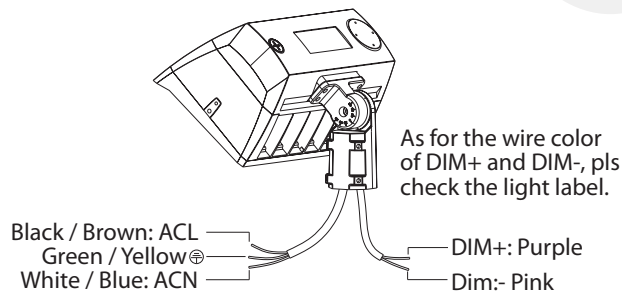
Notices:

1. To prevent from electric shock or fire risk, the installation must be conducted by operator who have professional electrical knowledge.
2. Please wear gloves to avoid injury before installing lights.
3. During or after installation, if there are situations such as smoke, fire in the wires or lights, please turn off the power immediately and notify relevant personnel of an overhaul.
4. This light can be used for outdoor installation.

Instructions:

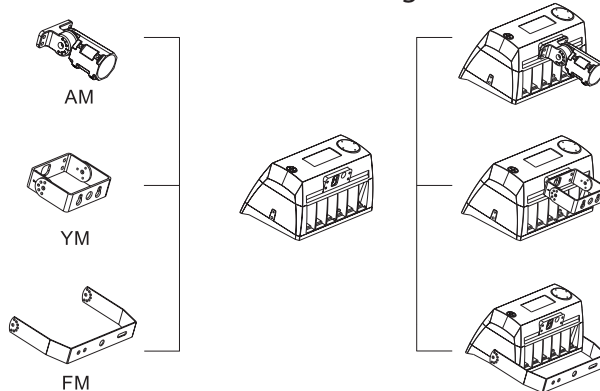
1. This product has dimming function.
2. 2 dimming functions are available in this LED light:
 - (1). Constant current can be achieved by 0-10VDC dimming.
 - (2). Variation of resistance unit dimming(Please choose the appropriate dimming way according to your needs. You can also choose not to use this function).
3. Choose the wire connection ways, dimming ways and installation ways according to your needs and the led fixture purchased.

Wiring Diagram:



Optional Brackets and Installation Instructions

There are 3 optional brackets for this fixture. The following is flood fixtures with different brackets





UNION™ Flood Light

Installation

Installation Instructions with different brackets:

ADJUSTABLE FITTER MOUNTING (AM)

Step 1: Remove the bracket mounting screws on the fixture and run the wires through the bracket. (Figure 1)

Step 2: Install the bracket on the fixture. (Figure 2)

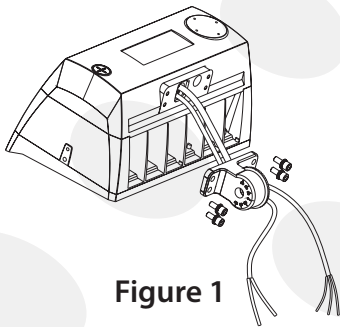


Figure 1

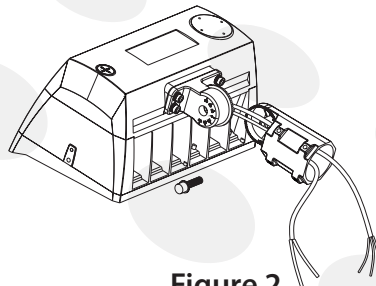
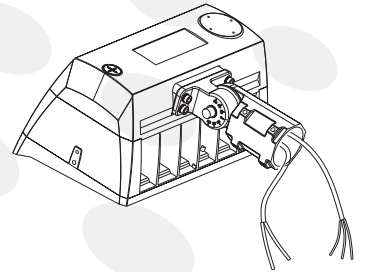


Figure 2



YOKE MOUNTING (YM)

Step 1: Put the input wire of the light across the bracket. (Figure 3)

Step 2: Fix the bracket. (Figure 4)

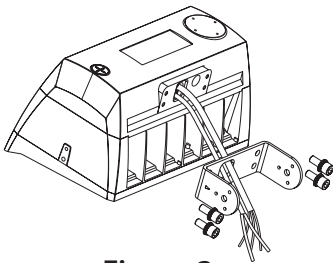


Figure 3

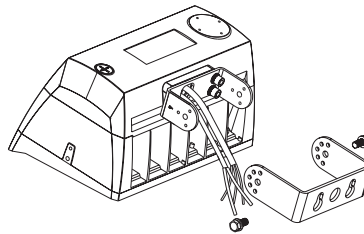
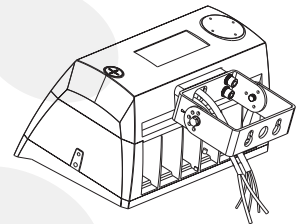


Figure 4



UNION™

Flood Light



Installation

Installation of LED Lights :

1. ADJUSTABLE FITTER MOUNTING (AM)

Step 1: Connect the wire correctly and put the wire into pole. Then fasten the locking bolts between slip fitter and the pole. (Figure 5)

Step 2: Loosen the fixing bolts and adjusting bolts, align the fixture to required angle. Tighten adjusting bolt and fixing bolts after the angle is confirmed. (Figure 6)

Notice: Adjustable angle is $0 \sim \pm 90^\circ$ (Figure 5)

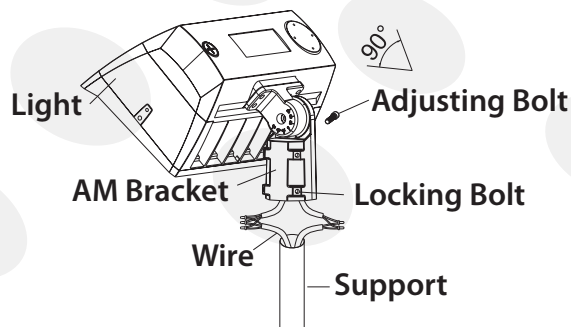


Figure 5

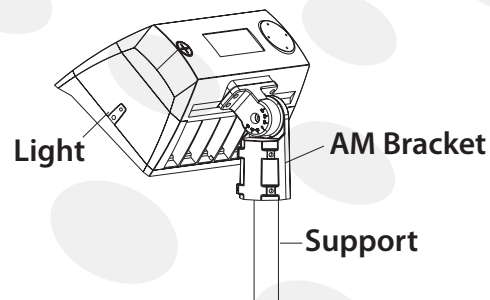


Figure 6

2. YOKE MOUNTING (YM)

Step 1: Drill holes on the wall as shown. (Figure 7)

Step 2: Knock the expansion bolts into the wall. (Figure 8)

Step 3: Connect the fixture to the bracket and tighten the screws; connect the wires properly. (Figure 9)

Notice: Adjustable angle is $0 \sim \pm 90^\circ$ (Figure 9)

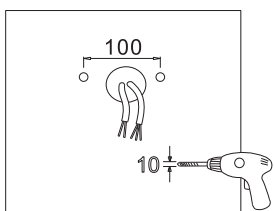


Figure 7

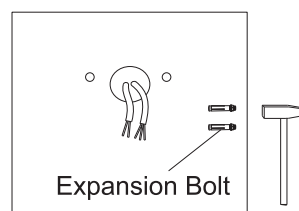


Figure 8

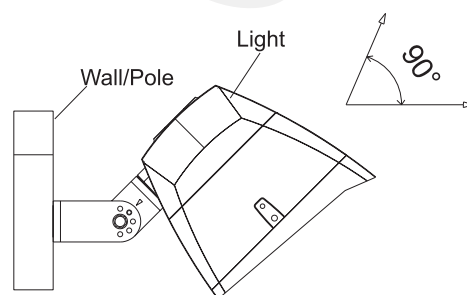


Figure 9



UNION™ Flood Light

Installation

SPECIAL FUNCTIONS INSTRUCTION:

1. Instructions for Photocell

When the photocell function is required, photocell should be installed on the back of light;
When it's not required, shorting cap should be installed on the back of light (Figure 10)

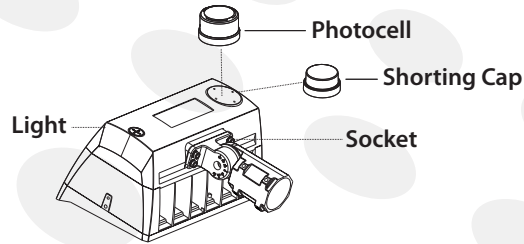


Figure 10

2. Function Adjustment

Step 1: Open the metal plug counterclockwise with a screwdriver, then slide the switch up and down to adjust the power controller or CCT controller in your demand (Figure 11).

Step 2: After adjusting the required control function, tighten the metal plug clockwise (Figure 12).

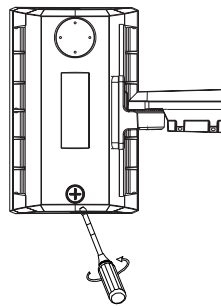


Figure 11

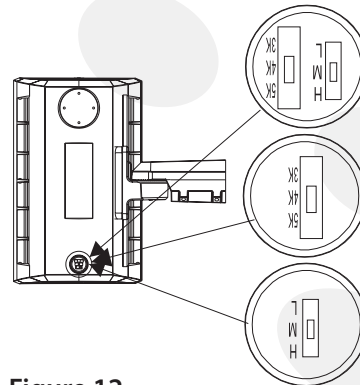


Figure 12

UNION™ Flood Light



Installation

Function adjustment

Step 1: Open the metal plug counterclockwise with a screwdriver, then slide the switch up and down to adjust the power controller or CCT controller in your demand. (Figure 13)

Step 2: After adjusting the required control function, tighten the metal plug clockwise. (Figure 14)

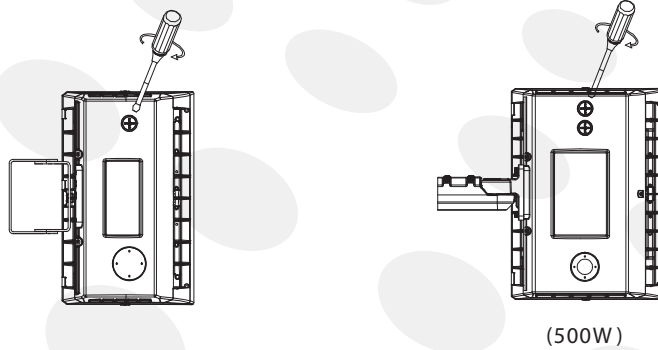


Figure 13

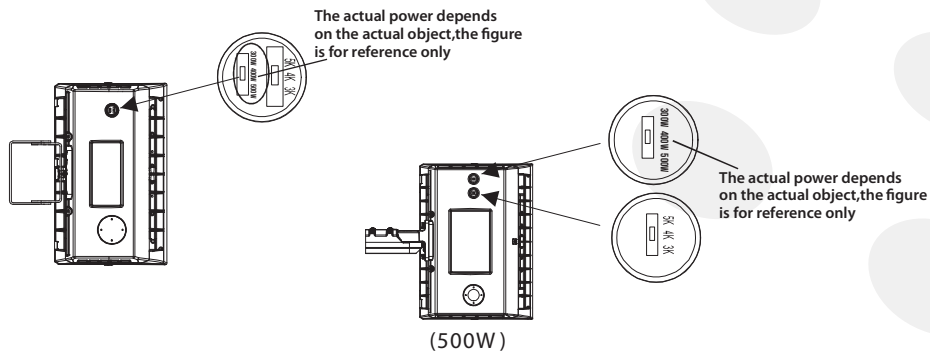


Figure 14

Optical Angle adjustment

Take the lamp out of the packaging box, insert the flat-head screwdriver into the slot of the knob, and rotate the knob to the required Angle. (Figure 15)

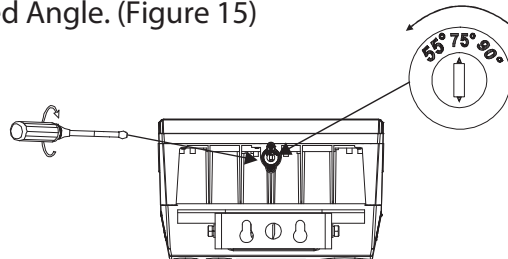


Figure 15



UNION™

Flood Light

Notice For User

- Please turn off power before install or change assembly parts.
- The input voltage and lamps should be matched, after connecting the power line, Please make sure the wiring section is insulated.
- No-professionals, must not install and disassemble the lamps.

Troubleshooting

Troubles	Check Points
Flickering of the light	Turn off the power and turn on again in 3 minutes. If same phenomena occur, then call agencies.
Not Working	Please check the connection

Packaging

SKU	Box Dimension	Qty	Net Weight	Gross Weight
156693	13.58" x 13" x 9.84"	1 PC/Box	9.90LBS	11.60LBS
156598	15.35" x 14.96" x 10.63"	1 PC/Box	12.94LBS	15.91LBS

UNION™

Flood Light



Application Image



FLOOD LIGHT

Warranty

This product is covered under a 5-year warranty. For complete warranty details, [Click Here.](#)