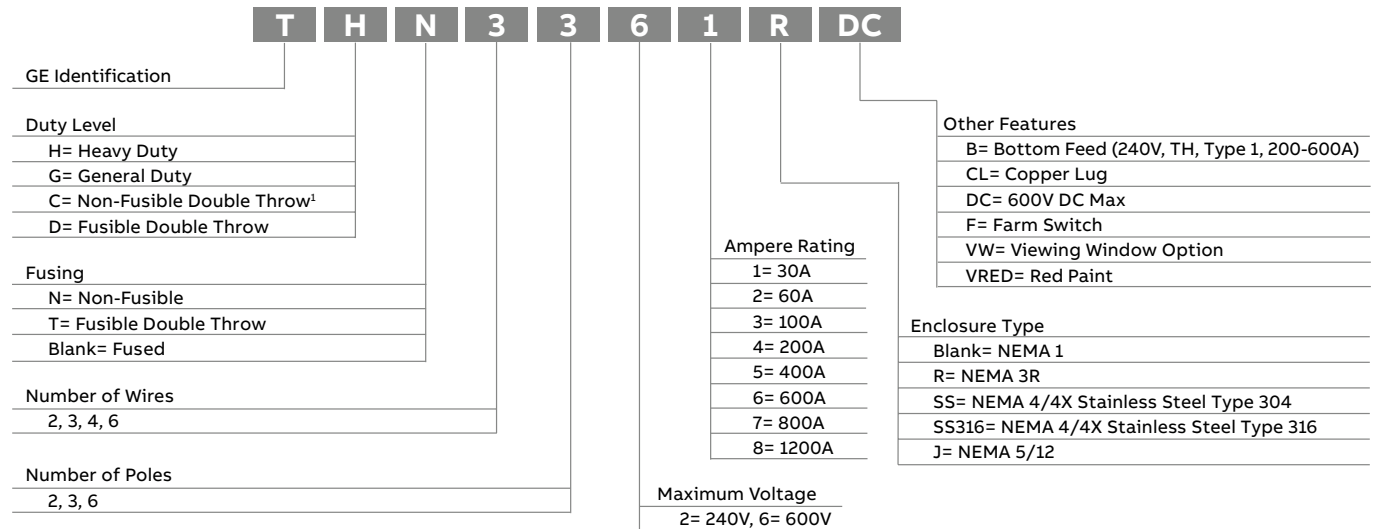


## Spec-Setter™ safety switches

### Quick selection guide



<sup>1</sup> 800A and 1200A non-double throw safety switches also use the C Duty Level nomenclature

Note: This information is provided for interpreting numbers. It should not be used to build product numbers.

#### All ABB Spec-Setter safety switches carry the following certifications:

- UL Listed and cUL Listed (UL98 Enclosed Switches/CSA-C22.2 No. 4-04)
- Federal Specification WS-865C
- NEMA Enclosed Safety Switch Standard KS1-2013
- Seismic Certified
- Service Entrance Rated (unless otherwise noted)

#### Horsepower rated

All Spec-Setter safety switches are horsepower rated with the following exceptions:

- 800A single throw type TC switches
- 1200A single and double throw type TC and TDT switches

For specific HP ratings by part number, see DET845 or specification sheets found on <https://empower.abb.com>

#### Product references

Lug wire sizes	page 4-19
Safety switch dimensions, weights, knock out locations, drawings and HP ratings	DET845
Series rating information	DET008
Seismic information	OSP-0320-10

## Heavy duty, type TH, NEMA types 1 and 3R

30-1200 amperes

240 volts AC, 250 volts DC

50/60 Hz

### Heavy duty safety switches - 240Vac - fusible

	Amperage Rating	Product Number		Ground kit	Neutral kit	Standard fuse class	Class J fuse kit	Class R fuse rejection kit <sup>8</sup>	Auxiliary contact kits	
		NEMA Type 1 Indoor	NEMA Type 3R Outdoor						SPDT	DPDT
2 Pole / 3 Wire										
	30	TH3221	TH3221R <sup>1</sup>	TGL1	Factory installed	H, K, and R	Move load-block <sup>7</sup>	TRK12B	THAUX61S	THAUX21D
	60	TH3222 <sup>1</sup>	TH3222R <sup>1</sup>	TGL1				TRK22A	-	THAUX64D
	100	TH3223 <sup>1</sup>	TH3223R <sup>1</sup>	TNG3				TRK46A	-	
	200	TH3224 <sup>1,2,3</sup>	TH3224R <sup>1,2,3</sup>	TGL6				TRK56A	-	THAUX66D
	400	TH3225 <sup>2,3</sup>	TH3225R <sup>2,3</sup>	TGL6	THJ6	TRK66A	-			
	600	TH3226 <sup>2,3</sup>	TH3226R <sup>2,3</sup>	5	TNI67	-	-	-	-	
	800	TC72267 <sup>4,6</sup>	TC72267R <sup>4,6</sup>	5	TNI68A	-	-	-	-	
3 Pole / 3 Wire										
	400	TH3325 <sup>2</sup>	TH3325R	TGL6	TNI65 or TNI65A	H, K, and R	Move load-block <sup>7</sup>	TRK56A	-	THAUX66D
	600	TH3326 <sup>2</sup>	TH3326R	TGL6	TNI66	H, K, and R	THJ6	TRK66A	-	
3 Pole / 4 Wire										
	30	TH4321	TH4321R <sup>1</sup>	TGL1	Factory installed	H, K, and R	Move load-block <sup>7</sup>	TRK12B	THAUX61S	THAUX21D
	60	TH4322 <sup>1</sup>	TH4322R <sup>1</sup>	TGL1				TRK22A	-	THAUX64D
	100	TH4323 <sup>1</sup>	TH4323R <sup>1</sup>	TNG3				TRK46A	-	
	200	TH4324 <sup>1,2,3</sup>	TH4324R <sup>1,3</sup>	TGL6				TRK56A	-	THAUX66D
	400	TH4325 <sup>2,3</sup>	TH4325R <sup>3</sup>	TGL6	THJ6	TRK66A	-			
	600	TH4326 <sup>2,3</sup>	TH4326R <sup>3</sup>	TGL6	THJ6	TRK66A	-	-	-	

### Heavy duty safety switches - 240Vac -non-fusible (see 600Vac for complete offering)

3 Pole / 3 Wire / 240Vac										
	30	THN3321	-	TGL1	TNI21	-	-	-	THAUX61S	THAUX21D

<sup>1</sup> Available with viewing window, add "VW" suffix.

<sup>2</sup> Type 1 enclosure: 200-600 ampere devices available factory reversed for bottom feed. Add "B" suffix. Handle will be on the left side.

<sup>3</sup> For switches CSA Certified for service entrance, add "C" suffix. Will include solid neutral.

<sup>4</sup> For switches suitable for service entrance applications in Canada, order TH3267C, TH3267R, TH3267RC, TH3268C, or TH3268RC.

<sup>5</sup> Neutral kit is groundable and bondable.

<sup>6</sup> Rated 600 Vac only. Accepts Class L fuses only. Type HD electrical performance does not apply.

<sup>7</sup> Switches may be adapted to accept Class J fuses without a kit by moving the load-block toward the switch base and remounting.

<sup>8</sup> When specifications permit only Class R fuses, these kits may be installed in the switch to deter fuses other than Class R from being installed.

<sup>9</sup> May require additional provisions when 1200A fuses are used to meet NEC 240.67 2017 or later.