



# EXTERNAL DRIVE LED

TYPE C LED TUBES

## KTLD-4LT5HE-UV-12C-VDIM

CONSTANT CURRENT LED DRIVER FOR TYPE C T5HE LAMPS

**DESCRIPTION**

Constant Current Output | 120–277V Input | 0–10V Dimming



<b>DRIVER TYPE:</b> Constant Current
<b>OUTPUT CURRENT:</b> 270A × 4 Channels
<b>INPUT POWER:</b> 13W × 4
<b>MAX. CURRENT</b> 0.49A@120V
<b>MAX. OUTPUT POWER:</b> 48W
<b>WARRANTY:</b> 5 Years

**PRODUCT FEATURES**

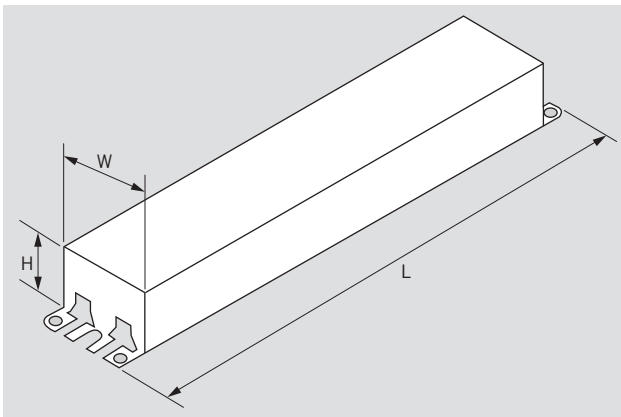
- Compatible with Keystone external drive T5HE LED lamps
- Meets FCC Part 15 (Class B) consumer limits
- Short circuit overload and open load protection
- Type 1 outdoor, suitable for dry and damp locations
- UL8750 Recognized component
- Dimmable with 0–10V Dimmer, dim minimum 10%
- Operating temperature: –20°C/–4°F to 45°C/113°F
- 85°C/185°F maximum case temperature
- Input frequency: 50/60 Hz
- THD: < 20%

**ELECTRICAL SPECIFICATIONS**

INPUT CHARACTERISTICS				OUTPUT CHARACTERISTICS			FEATURES
Input Voltage	Input Power	Power Factor	Max. Current	Max. Output Power	Max. Current	Output Voltage	Efficiency
120–277Vac	13W × 4	>0.9	0.49A@120V	48W	270A × 4 Channels	36–45Vdc	88%

**MECHANICAL SPECIFICATIONS**

**CASE DIMENSIONS**



<b>LENGTH (L)</b>	9.60"
<b>WIDTH (W)</b>	1.80"
<b>HEIGHT (H)</b>	1.30"

\*TC Point (85°C) is noted on each driver label



# EXTERNAL DRIVE LED

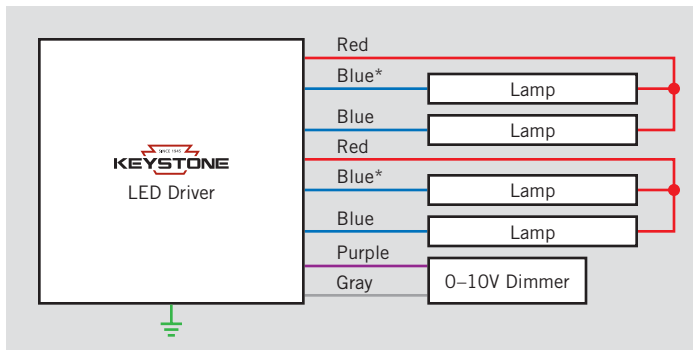
TYPE C LED TUBES

## KTLD-4LT5HE-UV-12C-VDIM

CONSTANT CURRENT LED DRIVER FOR TYPE C T5HE LAMPS

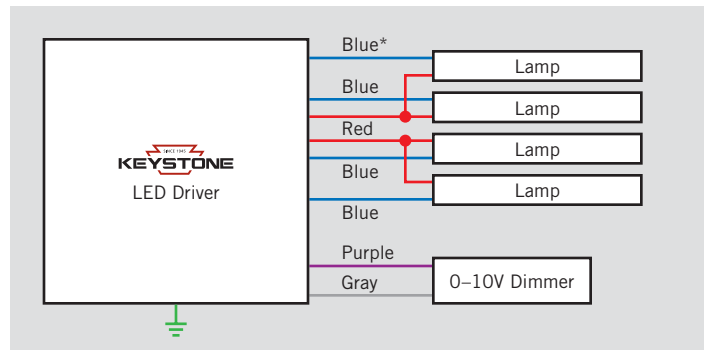
### WIRING

#### DOUBLE-ENDED WIRING



\* For 3 lamp application, cap off 1 blue lead

#### SINGLE-ENDED WIRING



\* For 3 lamp application, cap off 1 blue lead

#### STANDARD LEAD LENGTHS\*

Input	Black	30.00"
	White	30.00"
Output	Red	30.00"
	Blue	30.00"
Dimming	Purple	30.00"
	Gray	30.00"

Lead wires are 18 AWG 105° C/600V.

\*Consult Keystone for special lead length requirements.

### ORDERING INFORMATION

Order Code	Packaging Style	Pack Quantity	Item Status
KTLD-4LT5HE-UV-12C-VDIM-CP	Carton Pack	25	Active

### CATALOG NUMBER BREAKDOWN

# KTLD-4LT5HE-UV-12C-VDIM-CP

- 1
- 2
- 3
- 4
- 5
- 6
- 7
- 8

- 1** Keystone Technologies LED Driver
- 2** Number of Lamps
- 3** Lamp Type
- 4** High Efficiency
- 5** 120–277V Input
- 6** Lamp Wattage
- 7** 0–10V Dimming
- 8** Packaging Style