

KT-CLED-SM-1-KIT
SURFACE OR PENDANT MOUNT KIT FOR CANOPIES

DESCRIPTION

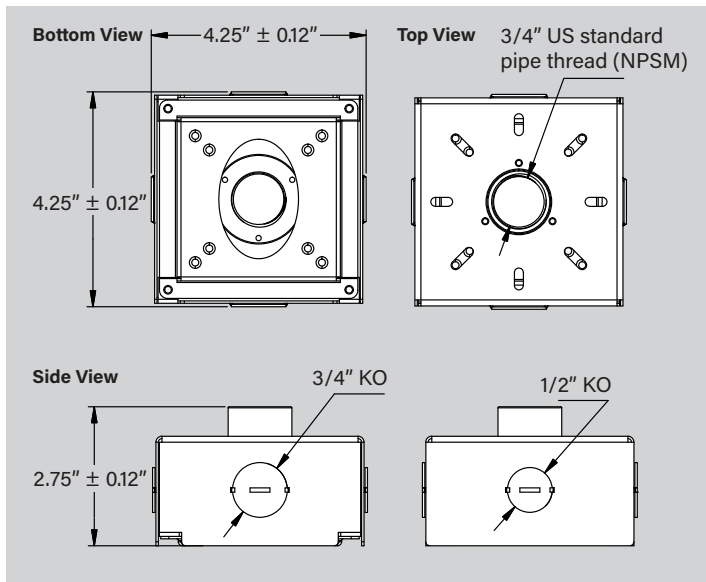
Surface mount / pendant mount kit | Bronze | Used on Series 1 Canopy Fixtures |
Attaches to pre-installed mounting plate



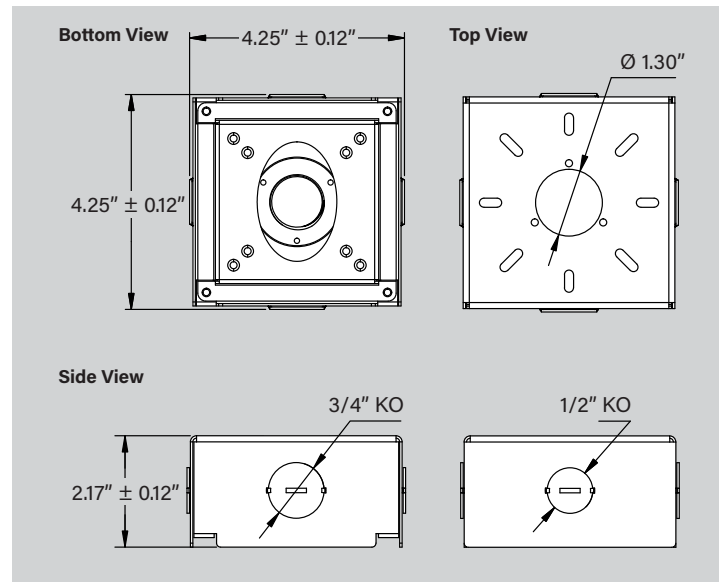
*Canopy fixture sold separately

DIMENSIONS

FOR PENDANT MOUNTING



FOR SURFACE MOUNTING



*Enclosure has (4) KO's total: (2) 3/4" and (2) 1/2"

ORDERING INFORMATION

CATALOG NUMBER	UPC	EASY CODE
KT-CLED-SM-1-KIT	843654160368	HRA-27

CATALOG NUMBER BREAKDOWN

KT-CLED-SM-1-KIT

- 1
- 2
- 3
- 4
- 5
- 6

- 1 Keystone Technologies
- 2 Canopy Fixture
- 3 LED
- 4 Surface Mount
- 5 Series 1
- 6 Kit