



## KT-LEDXXRD-6C-9CSF-DIM

### DOWNLIGHT RETROFIT TRIM

#### DESCRIPTION

Downlight Retrofit Trim | Color Select Technology | Quick-Disconnect E26 Base

#### APPLICATION

Ideal for residential, hospitality, retail, and other retrofit and new construction applications



#### PRODUCT FEATURES

- Keystone Color Select technology (2700/3000/3500/4000/5000K)
- Includes quick-disconnect E26 base adaptor for easy, screw-in install
- Improved aesthetics vs legacy trims
- Ideal for retrofit and remodel applications
- Diffused lens for visual comfort and reduced glare
- Smooth, uniform dimming
- Suitable for use in wet locations
- Suitable for use in 4" recessed cans
- PF > 0.98
- Operating temperature range: -4°F/-20°C to 95°F/35°C
- UL 1598C Retrofit Kit (8W, 10W)
- UL 1993 Recognized Component (8W, 10W)
- ETL Classified Luminaire (14W)
- ETL Classified Retrofit Kit (14W)
- T20/T24/JA8 compliant
- Complies with Part 15 of FCC

#### PERFORMANCE SPECIFICATIONS

Catalog Number	Input Voltage	Wattage	CCT (Selectable)*	Lumen Output	Efficacy	CRI	Power Factor	Beam Angle	Lifetime
KT-LED14RD-6C-9CSF-DIM	120V	14W	2700K	1220	87 lm/W	>90	>0.9	95°	50,000 hrs
			3000K	1240	89 lm/W				
			3500K	1260	90 lm/W				
			4000K	1260	90 lm/W				
			5000K	1240	89 lm/W				
KT-LED10RD-6C-9CSF-DIM	120V	10.5W	2700K	920	88 lm/W	>90	>0.9	95°	50,000 hrs
			3000K	940	90 lm/W				
			3500K	960	91 lm/W				
			4000K	960	91 lm/W				
			5000K	940	90 lm/W				

\* Preset to lowest CCT: 2700K

Color Uniformity: CCT (Correlated Color Temperature) range as per guidelines outlined in ANSI C78.377-2017



# KT-LEDXXRD-6C-9CSF-DIM

## DOWNLIGHT RETROFIT TRIM

### PERFORMANCE SPECIFICATIONS (CONTINUED)

Catalog Number	Input Voltage	Wattage	CCT (Selectable)*	Lumen Output	Efficacy	CRI	Power Factor	Beam Angle	Lifetime
KT-LED8RD-6C-9CSF-DIM	120V	8W	2700K	735	92 lm/W	>90	>0.9	95°	50,000 hrs
			3000K	745	93 lm/W				
			3500K	755	94 lm/W				
			4000K	755	94 lm/W				
			5000K	745	93 lm/W				

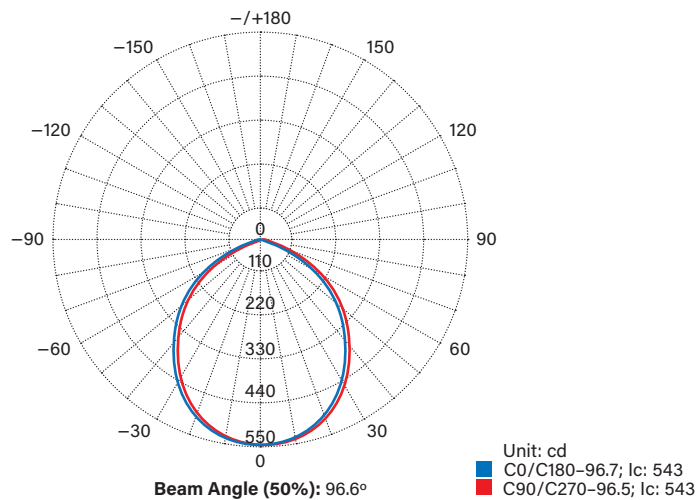
\* Preset to lowest CCT: 2700K

Color Uniformity: CCT (Correlated Color Temperature) range as per guidelines outlined in ANSI C78.377-2017

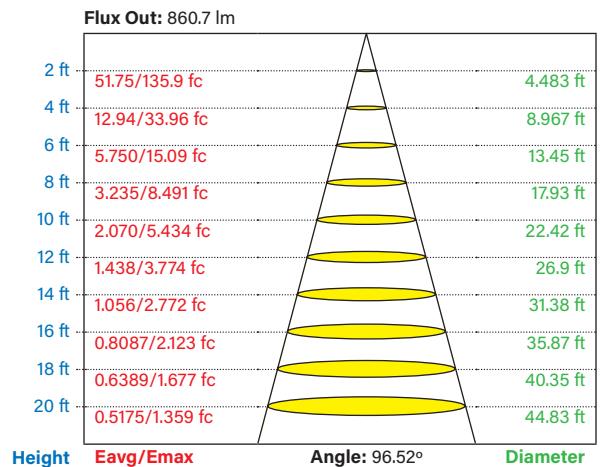
### PHOTOMETRIC SPECIFICATIONS

#### KT-LED14RD-6C-9CSF-DIM

##### POLAR CANDELA DISTRIBUTION



##### LUX DISTANCE CURVE



Curves show illuminated area and average illumination when lamp is at various distances.



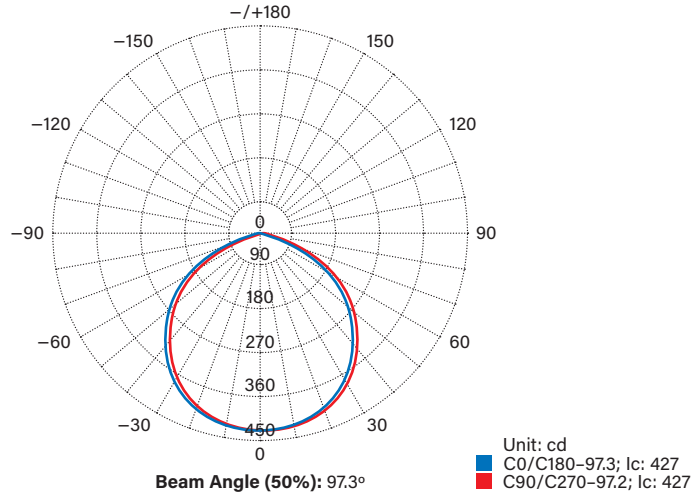
# KT-LEDXXRD-6C-9CSF-DIM

## DOWNLIGHT RETROFIT TRIM

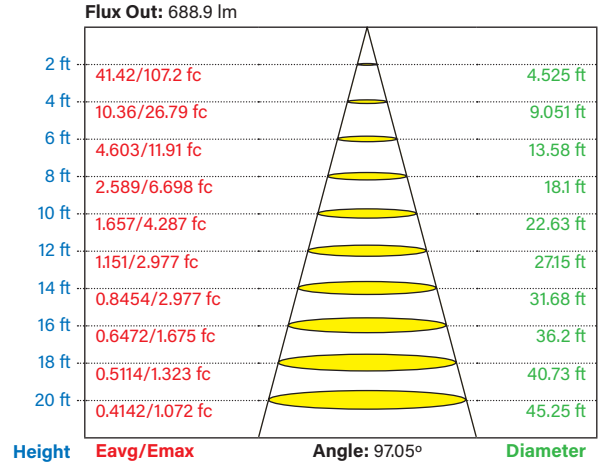
### PHOTOMETRIC SPECIFICATIONS (CONTINUED)

#### KT-LED10RD-6C-9CSF-DIM

##### POLAR CANDELA DISTRIBUTION



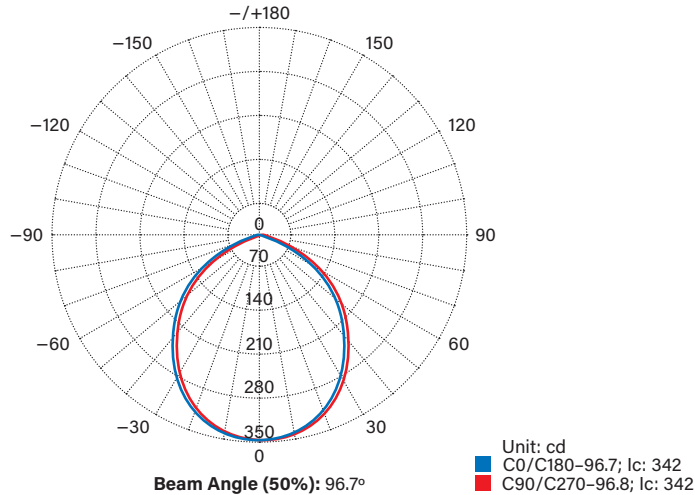
##### LUX DISTANCE CURVE



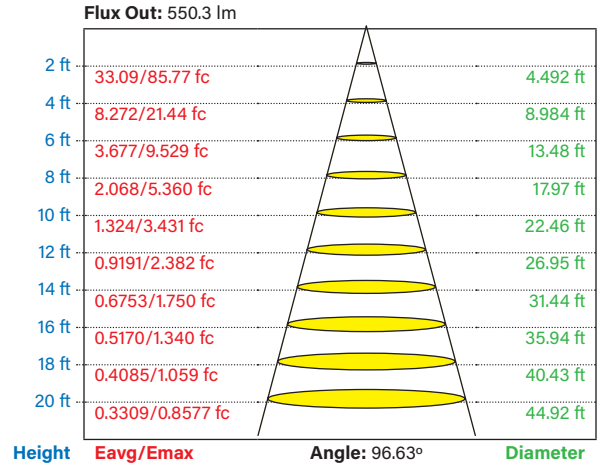
Curves show illuminated area and average illumination when lamp is at various distances.

#### KT-LED8RD-6C-9CSF-DIM

##### POLAR CANDELA DISTRIBUTION



##### LUX DISTANCE CURVE



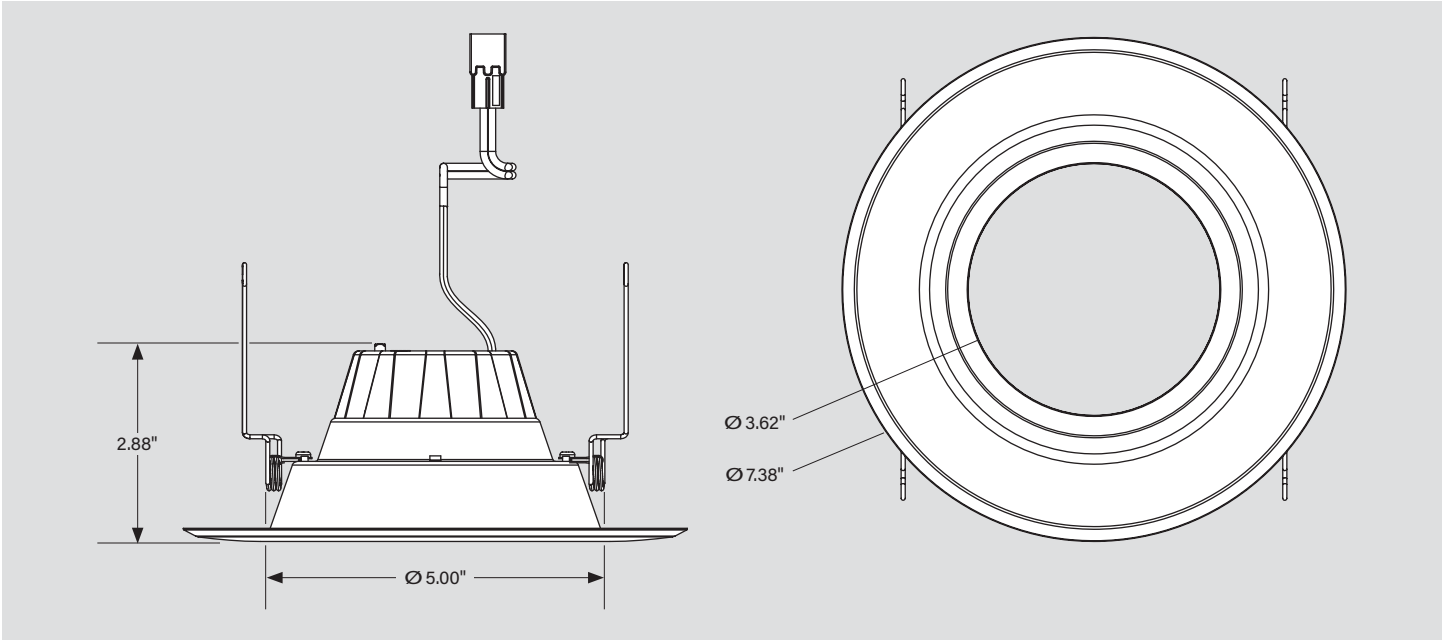
Curves show illuminated area and average illumination when lamp is at various distances.



# KT-LEDXXRD-6C-9CSF-DIM

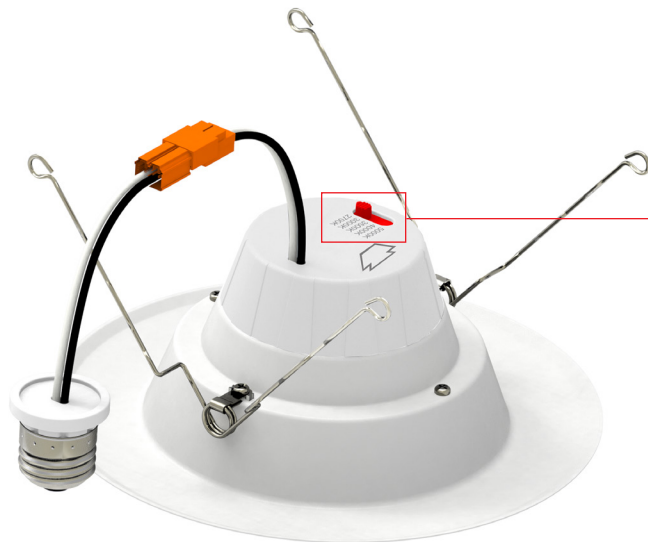
## DOWNLIGHT RETROFIT TRIM

### PHYSICAL SPECIFICATIONS



### COLOR SELECT (CCT) ADJUSTMENT

This fixture is equipped with field-adjustable Keystone Color Select technology. Before installation select desired CCT by adjusting the dip switch.



#### COLOR SELECT ADJUSTMENT SWITCH

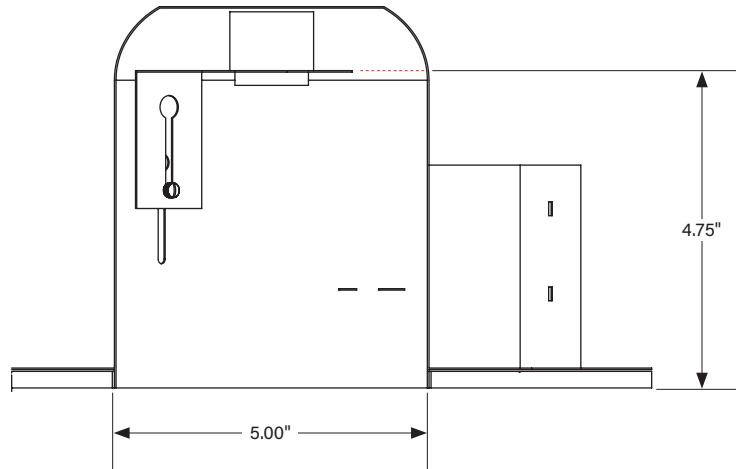
Set dip switch to adjust CCT between 2700K, 3000K, 3500K, 4000K, and 5000K. Fixture comes preset at 2700K.

## KT-LEDXXRD-6C-9CSF-DIM

### DOWNLIGHT RETROFIT TRIM

#### INSTALLATION INSTRUCTIONS

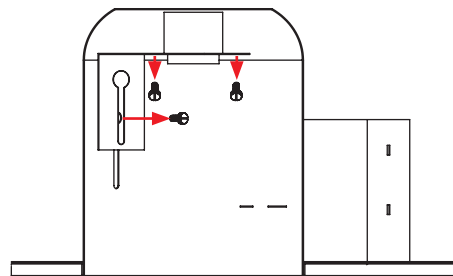
The existing luminaire housing must be equal to or larger than over-all inner dimensions illustrated below.



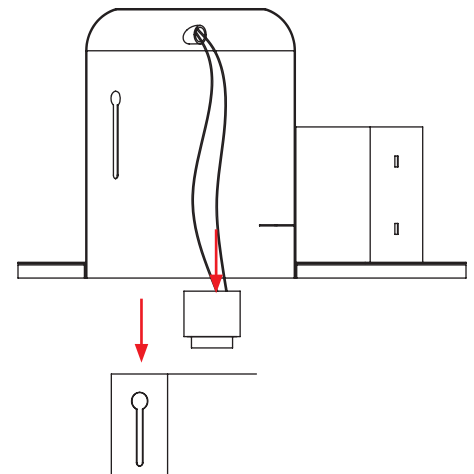
- 1. Shut off power at the source of the recessed housing into which you are installing fixture.** Remove existing trim and CFL or incandescent bulb.

*Note:* Follow all federal and local regulations when disposing of lamps and removed components.

- 2. Unscrew the screws on socket bracket; push bracket upward to the top.**



- 3. Remove existing socket mounting plate from the housing, then remove lamp socket from the plate.**

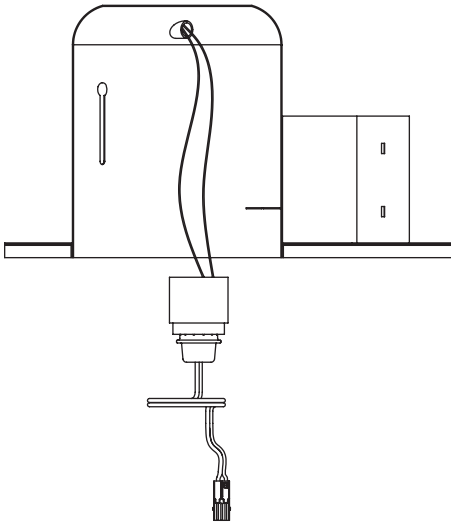


(Installation Instructions continued on next page)

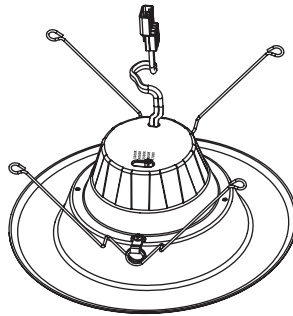
## KT-LEDXXRD-6C-9CSF-DIM DOWNLIGHT RETROFIT TRIM

### INSTALLATION INSTRUCTIONS (CONTINUED)

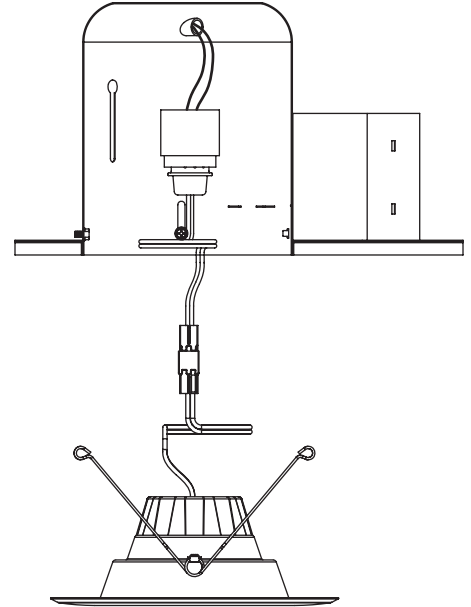
4. Screw E26 adaptor into the socket.



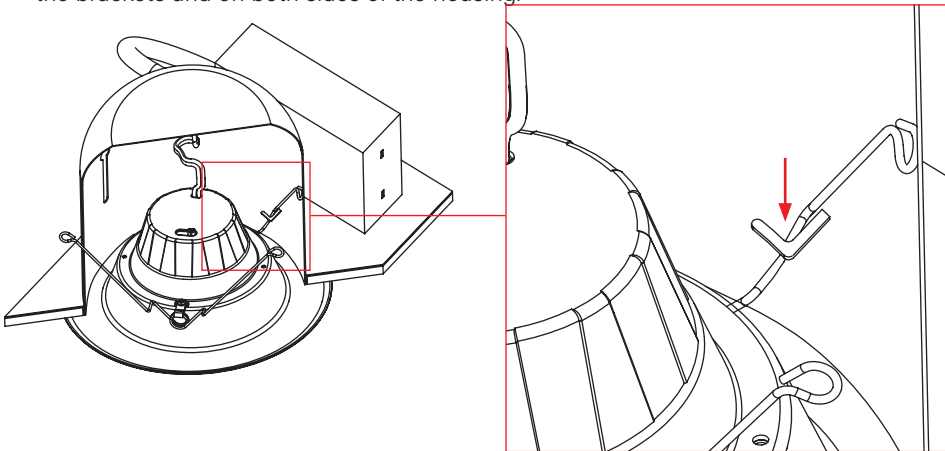
5. Select desired CCT using adjustment switch on driver box (see *Color Select (CCT) Adjustment* on page 3).



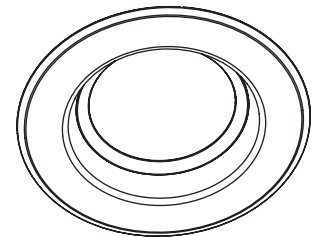
6. Plug E26 base cable connection into the recessed housing.



7. Squeeze torsion springs as shown and install into the metal brackets inside the recessed housing. For proper installation, the torsion springs should be seated within the brackets and on both sides of the housing.



8. Carefully place wires into housing, then push the LED trim into the housing until trim is flush with ceiling. Restore power to the fixture.





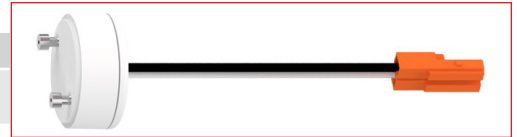
# KT-LEDXXRD-6C-9CSF-DIM

## DOWNLIGHT RETROFIT TRIM

### OPTIONAL ACCESSORIES (SOLD SEPARATELY)

#### GU24 ADAPTOR

Catalog Number	Description	UPC	Easy Code
KT-ADPT-RD-GU24	GU24 Adaptor for downlight retrofit trim	843654137568	WTQ-04



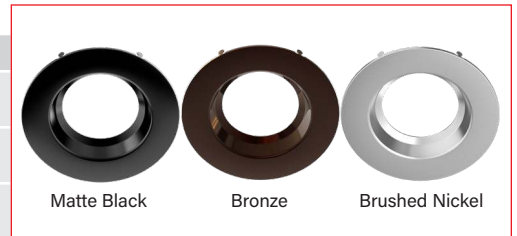
#### TORSION-SPRING ADAPTOR

Catalog Number	Description	UPC	Easy Code
KT-ADPT-RD-6C-TS	Torsion-spring adaptor for 5" / 6" downlight retrofit trim	843654137667	GGR-44



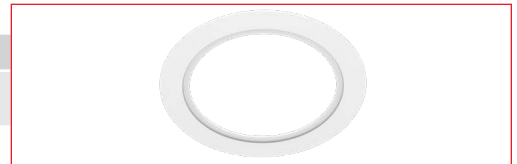
#### INTERCHANGEABLE TRIM

Catalog Number	Description	UPC	Easy Code
KT-TRIM-RD-6C-MB	Interchangeable trim for 5" / 6" circular downlight retrofit trim; Matte black	843654137582	OGP-16
KT-TRIM-RD-6C-BR	Interchangeable trim for 5" / 6" circular downlight retrofit trim; Bronze	843654137605	MGF-76
KT-TRIM-RD-6C-BN	Interchangeable trim for 5" / 6" circular downlight retrofit trim; Brushed nickel	843654137629	JPJ-80



#### GOOF RING

Catalog Number	Description	UPC	Easy Code
KT-GOOF-RD-6C	Goof ring for 5" / 6" circular downlight; 10.51" diameter	843654137643	ECX-08



### ORDERING INFORMATION

Catalog Number	UPC	Easy Code	Energy Star ID
KT-LED8RD-6C-9CSF-DIM	843654137414	PTF-18	3555650
KT-LED10RD-6C-9CSF-DIM	843654137421	KAN-15	3549956
KT-LED14RD-6C-9CSF-DIM	843654137438	VNZ-96	3549959



# KT-LEDXXRD-6C-9CSF-DIM

## DOWNLIGHT RETROFIT TRIM

### CATALOG NUMBER BREAKDOWN

# KT-LEDXXRD-6C-9CSF-DIM

1 2 3 4 5 6 7 8 9 10

<b>1 Keystone Technologies</b>	<b>4 Fixture Type</b>	<b>5 Nominal Size</b>	<b>6 Shape</b>	<b>7 CRI</b>
<b>2 LED Technology</b>	RD Recessed Downlight	6 5" / 6" Nominal	C Circular	9 90
<b>3 Wattage</b>				
<b>4 Fixture Type</b>				
<b>5 Nominal Size</b>				
<b>6 Shape</b>				
<b>7 CRI</b>				
<b>8 Color Select</b>				
<b>9 Color Select Designation</b>		<b>9 Color Select Designation</b>		
<b>10 TRIAC Dimming</b>		F	2700K / 3000K / 3500K / 4000K / 5000K	