

Catalog Numbering Legend

Commercial Wireway cont.

Hinge Cover Wireway Style Follows Size designation

3RHS	EnviroShield™ Type 3R Wireway, Painted
3RAHS	EnviroShield™ Type 3R Wireway, Aluminum
HS	Type 1 Quick-Connect Hinge Cover Wireway

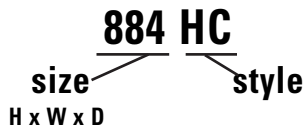
Hinge Cover Wireway Fittings

HSA	Wireway Connector - Adapter
HSC	Wireway Connector
HSE	Wireway End
HSF	Wireway End Flange
HSL	45° Elbow
HSL	90° Elbow
HST	Wireway Tee
HSU	Wireway Connector - Universal
HSX	Wireway Cross

Wire Trough Style Follows Size designation

GRT	Type 3R Screw Cover Wireway, Painted
GRTGV	3R Screw Cover Wireway, Galvanized
GTGV	Type 1 Wiring Trough, Galvanized

Commercial Enclosures



Enclosure Size Listed First

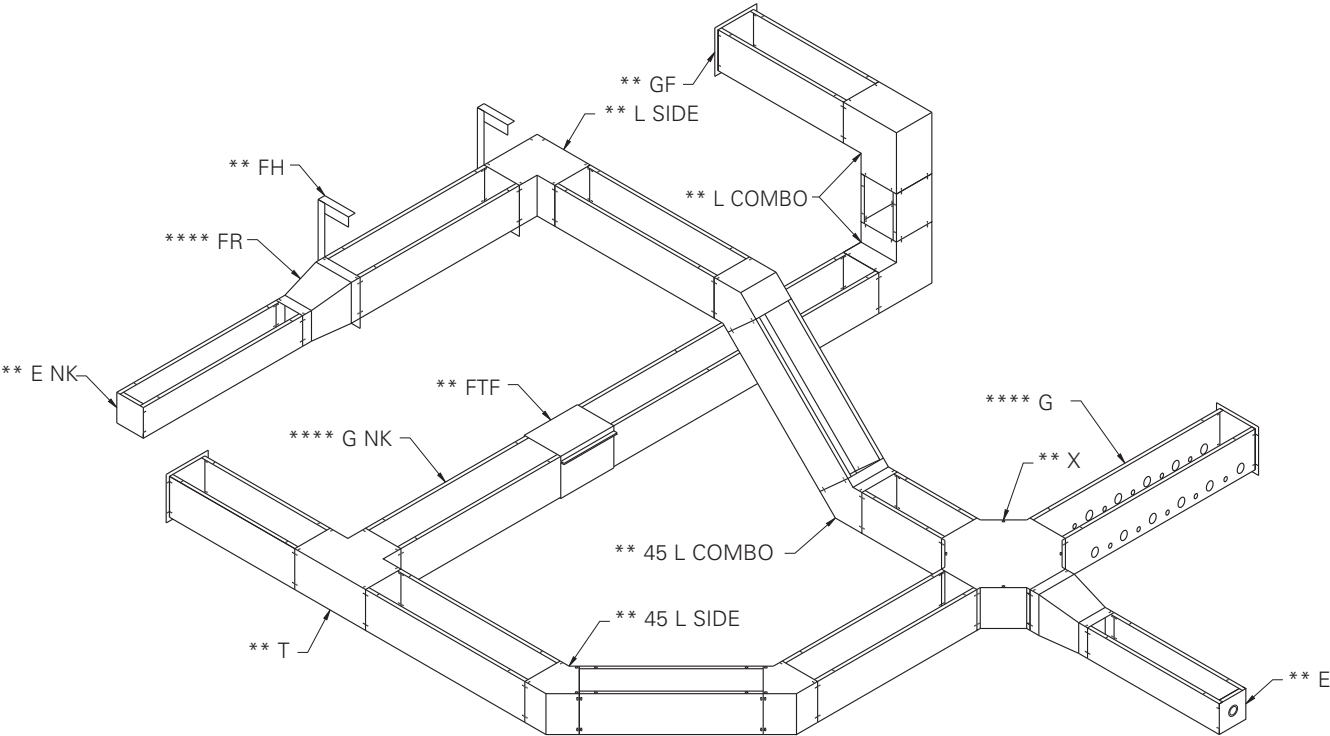
Enclosure Style Follows Size designation

DRHC	Type 3R Double-Door Hinge Cover
HC	Type 1 Hinge Cover
HC NK	Type 1 Hinge Cover No Knockouts
HRTCT	Type 3R Current Transformer Hinge Cover
P	Type 1 Locking Enclosure with Perforated Panel
RHC	Type 3R Hinge Cover
RTC	Type 3R Telephone Termination Cabinet
RTCT	Type 3R Current Transformer Screw Cover
RTHC	Type 3R Hinge Cover
RTHC NK	Type 3R Hinge Cover No Knockouts
RTSC	Type 3R Screw Cover
RTSCGV	Type 3R Screw Cover Galvanized
RTSCGV NK	Type 3R Screw Cover Galvanized No Knockouts
RTSC NK	Type 3R Screw Cover No Knockouts
SC	Type 1 Screw Cover
SCG	Type 3 Gasketed Screw Cover
SCGV	Type 1 Screw Cover Galvanized
SCGV NK	Type 1 Screw Cover Galvanized No Knockouts
SC NK	Type 1 Screw Cover No Knockouts
TCF	Type 1 Telephone Termination Cabinet/Flush Mount
TCS	Type 1 Telephone Termination Cabinet/Surface Mount
WPSC	Type 3 Screw Cover

Accessories

AHP	Adjustable Hinge Panel Kit
AMK	Adjustable Mounting Kit
APK	Adjustable Panel Kit
AP	Aluminum Panel
BAP	Blank Adapter Plate
BK	Barrier Kit
BP	Baffle Plate
DF	Dead Front Panel
DK	Drop Shield Kit
DSTOPK	Door Stop Kit
EH	External Hinge
ES	Enclosure Stabilizer
FAS	Filter Adhesive Spray
FLT	Filters
FLWK	Frameless Window Kit
FSHELF	Folding Shelf Kit
GP	Galvanized Panel
GP	Gland Plates
HWK	Hinged Window Kits
IC	Inspection Cover
JICSPK	JIC Swing Panel Kit
KL	Keyed Lock
LPK	Louver Plate Kits
MC	Mounting Channels
MMF	Modular Mounting Frame
NSPK	NEMA Swing Panel Kit
P	Panel
PF	Fiberglass Panel
PCK	Panel Conversion Kit
PLH	Panel Lifting Hooks
PMK	Pole Mounting Kits
PS	Panel Support Kit
PP	Perforated Panel
PWK	Plexiglass Window Kit
QRCS	Quick-Release Cover Screw
RMA	Rack Mounting Angles
SCS	Slotted Cover Screw
SF	Swing-Out Rack Frames
SL	Standard Latch
SP	Sealing Plate
SP	Stainless Panel
SP	Swing-Out Panel
TB	Terminal Block
TS	Terminal Strap
TSK	Terminal Strap Support Kit
WB	Wood Back Board
WMHK	Wall-Mount Handle, Key Locking
WMHNL	Wall-Mount Handle, Non-Locking
WMHPTO	Wall-Mount Handle, Padlockable
WMK	Wall Mounting Kit





This drawing is for illustration purposes only. It depicts how most B-Line series Type 1 screw cover wireway straight sections and fittings could be used in an actual wireway run. Covers have been omitted in many instances to more clearly show the lay-in feature. Straight sections and fittings can be combined in many different configurations to accommodate any wiring application. The nomenclature depicts Type 1 screw cover wireway in ANSI 61 gray painted steel. In addition, we also offer Type 1 galvanized screw cover wireway, Type 1 Quick-Connect hinge cover wireway, Type 3R wireway, NEMA 12 and NEMA 4/4X feed-through wireway, and NEMA 12 lay-in wireway.

NOMENCLATURE

**** FR	Reducer	** GF	End flange
**** G	Straight section with knockouts	** L COMBO	90° Elbow combo opening
**** G NK	Straight section without knockouts	** L SIDE	90° Elbow side opening
** E	End with knockouts	** 45 L COMBO	45° Elbow combo opening
** ENK	End without knockouts	** 45 L SIDE	45° Elbow side opening
** FH	Hanger	** T	Tee
** FTF	Telescopic fitting	** X	Cross

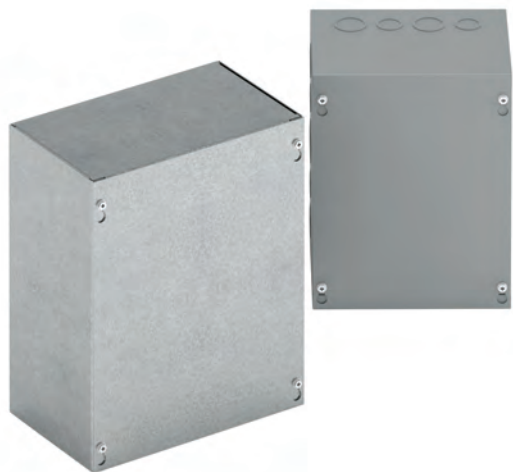
**** Specify height x depth x length

** Specify height x depth

Type 1, 3, & 3R Enclosures

Junction Boxes Type 1 Screw Cover - Painted & Galvanized Data and Illustration Sheet

Type 1, 3, & 3R Enclosures



Application

- Used as wiring boxes, junction and pull boxes
- Protects against contact with enclosed equipment

Standards

- UL 50 listed, Type 1
- CSA C22.2 No. 40 certified, Type 1
- Conforms to NEMA standard for Type 1

Finish

- Wash and phosphate undercoat or galvanized steel
- ANSI 61 gray acrylic electrocoat finish

Accessories

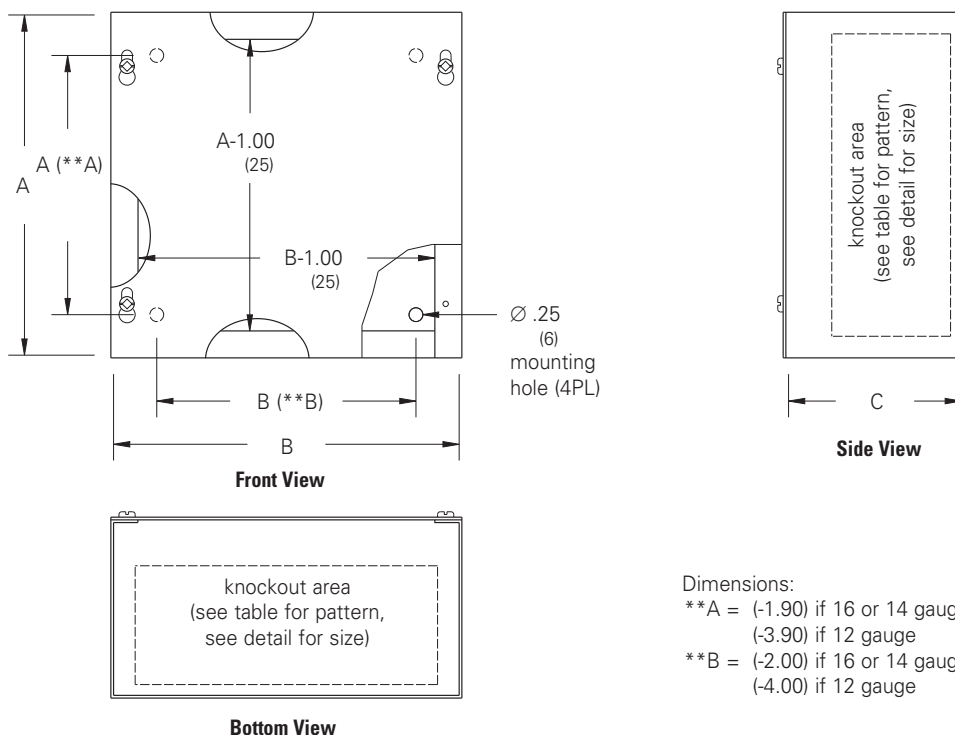
- Ground lug kit
- Touch-up paint
- See Accessories section

Construction

- Enclosure and cover are fabricated from code gauge steel or galvanized steel, (see table)
- Enclosure body has mounting holes on the back
- Enclosures are available with or without knockouts on the sides, top and bottom ends
- Cover is secured to the body with plated pan head combo screws
- Keyhole slots provided in the cover allow easy access to the inside without removing the screws
- Hole provision for optional ground lug kit
- Ground screw provided

Discount Schedule: A2

Subclass: AN0 (painted) & AX1 (galvanized)



Dimensions:
**A = (-1.90) if 16 or 14 gauge
(-3.90) if 12 gauge
**B = (-2.00) if 16 or 14 gauge
(-4.00) if 12 gauge

Notes: We can provide special sizes, finishes and other modifications. Consult the factory for your special requirements.
Dimensions are in inches. Millimeters shown are for reference only. Data subject to change without notice.

Type 1, 3, & 3R Enclosures

Junction Boxes

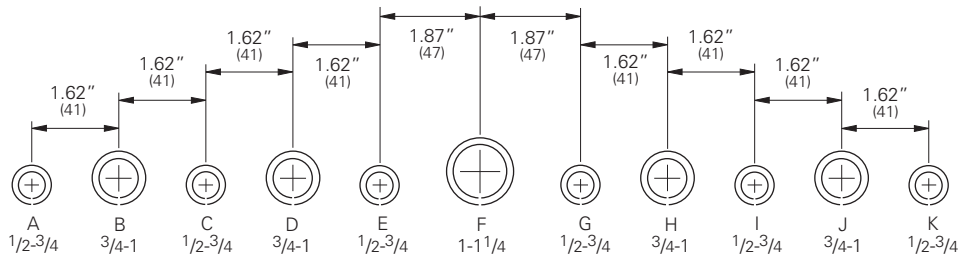
Type 1 Screw Cover - Painted & Galvanized

Catalog Number

Subclass: ANO - Painted & AX1 - Galvanized

Type 1, 3, & 3R Enclosures

Enclosure Catalog Number				Enclosure Size		Gauge	Knockout Pattern	Knockout Pattern
Painted		Galvanized		Height x Width x Depth				
KO	No KO	KO	No KO	in.	mm			
666 SC	666 SC NK	666 SCGV	666 SCGV NK	6.00 x 6.00 x 6.00	152 x 152 x 152	16	(CDE)	(CDE)
866 SC	866 SC NK	866 SCGV	866 SCGV NK	8.00 x 6.00 x 6.00	203 x 152 x 152	16	(GHIJ)	(CDE)
886 SC	886 SC NK	886 SCGV	886 SCGV NK	8.00 x 8.00 x 6.00	203 x 203 x 152	16	(GHIJ)	(GHIJ)
1086 SC	1086 SC NK	1086 SCGV	1086 SCGV NK	10.00 x 8.00 x 6.00	254 x 203 x 152	16	(DEFGH)	(GHIJ)
10106 SC	10106 SC NK	10106 SCGV	10106 SCGV NK	10.00 x 10.00 x 6.00	254 x 254 x 152	16	(DEFGH)	(DEFGH)
--	1266 SC NK	--	--	12.00 x 6.00 x 6.00	305 x 152 x 152	16	--	--
--	1286 SC NK	--	1286 SCGV NK	12.00 x 8.00 x 6.00	305 x 203 x 152	16	--	--
12106 SC	12106 SC NK	12106 SCGV	12106 SCGV NK	12.00 x 10.00 x 6.00	305 x 254 x 152	16	(DEFGH)	(DEFGH)
12126 SC	12126 SC NK	12126 SCGV	12126 SCGV NK	12.00 x 12.00 x 6.00	305 x 305 x 152	16	(DEFGH)	(DEFGH)
--	15156 SC NK	--	15156 SCGV NK	15.00 x 15.00 x 6.00	381 x 381 x 152	16	--	--
16126 SC	16126 SC NK	16126 SCGV	16126 SCGV NK	16.00 x 12.00 x 6.00	406 x 305 x 152	16	(CDEFGHI)	(DEFGH)
16166 SC	16166 SC NK	16166 SCGV	16166 SCGV NK	16.00 x 16.00 x 6.00	406 x 406 x 152	16	(CDEFGHI)	(BCDEFGHIJ)
18126 SC	18126 SC NK	18126 SCGV	18126 SCGV NK	18.00 x 12.00 x 6.00	457 x 305 x 152	16	(BCDEFGHIJ)	(DEFGH)
--	18156 SC NK	--	18156 SCGV NK	18.00 x 15.00 x 6.00	457 x 381 x 152	16	--	--
18186 SC	18186 SC NK	18186 SCGV	18186 SCGV NK	18.00 x 18.00 x 6.00	457 x 457 x 152	16	(BCDEFGHIJ)	(BCDEFGHIJ)
--	24126 SC NK	--	24126 SCGV NK	24.00 x 12.00 x 6.00	610 x 305 x 152	16	--	--
24186 SC	24186 SC NK	24186 SCGV	24186 SCGV NK	24.00 x 18.00 x 6.00	610 x 457 x 152	16	(BCDEFGHIJ)	(BCDEFGHIJ)
--	24206 SC NK	--	24206 SCGV NK	24.00 x 20.00 x 6.00	610 x 508 x 152	14	--	--
24246 SC	24246 SC NK	24246 SCGV	24246 SCGV NK	24.00 x 24.00 x 6.00	610 x 610 x 152	14	(BCDEFGHIJ)	(BCDEFGHIJ)
--	30186 SC NK	--	30186 SCGV NK	30.00 x 18.00 x 6.00	762 x 457 x 152	16	--	--
30246 SC	30246 SC NK	30246 SCGV	30246 SCGV NK	30.00 x 24.00 x 6.00	762 x 610 x 152	14	(BCDEFGHIJ)	(BCDEFGHIJ)
--	30306 SC NK	--	30306 SCGV NK	30.00 x 30.00 x 6.00	762 x 762 x 152	12	--	--
36246 SC	36246 SC NK	--	36246 SCGV NK	36.00 x 24.00 x 6.00	914 x 310 x 152	14	(BCDEFGHIJ)	(BCDEFGHIJ)
--	36306 SC NK	--	36306 SCGV NK	36.00 x 30.00 x 6.00	914 x 762 x 152	12	--	--
--	36366 SC NK	--	36366 SCGV NK	36.00 x 36.00 x 6.00	914 x 914 x 152	12	--	--
--	48366 SC NK	--	48366 SCGV NK	48.00 x 36.00 x 6.00	1219 x 914 x 152	12	--	--
--	48486 SC NK	--	48486 SCGV NK	48.00 x 48.00 x 6.00	1219 x 1219 x 152	12	--	--
888 SC	888 SC NK	888 SCGV	888 SCGV NK	8.00 x 8.00 x 8.00	203 x 203 x 203	16	(GHIJ)	(GHIJ)
--	10108 SC NK	--	10108 SCGV NK	10.00 x 10.00 x 8.00	254 x 254 x 203	16	--	--
12128 SC	12128 SC NK	--	12128 SCGV NK	12.00 x 12.00 x 8.00	305 x 305 x 203	16	(DEFGH)	(DEFGH)
16128 SC	16128 SC NK	--	16128 SCGV NK	16.00 x 12.00 x 8.00	406 x 305 x 203	16	(CDEFGHI)	(DEFGH)
18128 SC	18128 SC NK	--	18128 SCGV NK	18.00 x 12.00 x 8.00	457 x 305 x 203	16	(BCDEFGHIJ)	(DEFGH)
18188 SC	18188 SC NK	--	18188 SCGV NK	18.00 x 18.00 x 8.00	457 x 457 x 203	16	(BCDEFGHIJ)	(BCDEFGHIJ)
24128 SC	24128 SC NK	--	24128 SCGV NK	24.00 x 12.00 x 8.00	610 x 305 x 203	16	(BCDEFGHIJ)	(DEFGH)
24188 SC	24188 SC NK	--	24188 SCGV NK	24.00 x 18.00 x 8.00	610 x 457 x 203	16	(BCDEFGHIJ)	(BCDEFGHIJ)
--	24208 SC NK	--	24208 SCGV NK	24.00 x 20.00 x 8.00	610 x 508 x 203	14	--	--
24248 SC	24248 SC NK	--	24248 SCGV NK	24.00 x 24.00 x 8.00	610 x 610 x 203	14	(BCDEFGHIJ)	(BCDEFGHIJ)
30248 SC	30248 SC NK	30248 SCGV	30248 SCGV NK	30.00 x 24.00 x 8.00	762 x 610 x 203	14	(BCDEFGHIJ)	(BCDEFGHIJ)
--	30308 SC NK	--	30308 SCGV NK	30.00 x 30.00 x 8.00	762 x 762 x 203	12	--	--
36248 SC	36248 SC NK	--	36248 SCGV NK	36.00 x 24.00 x 8.00	914 x 610 x 203	14	(BCDEFGHIJ)	(BCDEFGHIJ)
--	36308 SC NK	--	36308 SCGV NK	36.00 x 30.00 x 8.00	914 x 762 x 203	14	--	--
--	36368 SC NK	--	36368 SCGV NK	36.00 x 36.00 x 8.00	914 x 914 x 203	14	--	--



Conduit Sizes Knockout Detail - Note: See table for applicable knockout pattern.

Notes: Dimensions are in inches. Millimeters shown are for reference only. Data subject to change without notice.