

# Spec 5 Conduit Bodies, Covers and Gaskets

For Rigid Conduit and IMC

NEC/CEC — Suitable for use in the following  
Hazardous Locations:  
Class I, Division 2 per NEC 501.10(B)(4)

## Applications

- To provide access to conductors for pulling, splicing, maintenance and future changes/ upgrades.
- Allows connection of straight conduit runs, branch conduit runs and 90° bends.
- Conduit bodies are suitable for use in Class I, Division 2 hazardous locations per NEC Section 501-4(B).

## Features

- Tapered threaded hubs (NPT).
- Packaged complete with cover and gasket under one catalog number.
- Ready to use.
- Raintight when a cover and gasket are installed.

## Standard Materials

- Bodies: malleable iron
- Cover - Type BS steel
- Gasket - Type SGN neoprene

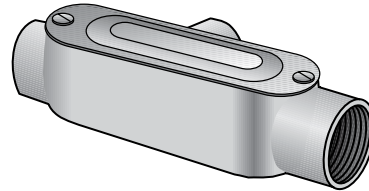
## Standard Finishes

- Malleable iron bodies and covers: triple-coat — (1) zinc electroplate, (2) chromate, and (3) epoxy powder coat
- Covers: zinc electroplated

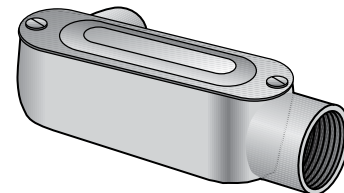
## NEC/CEC Certifications and Compliances

- UL Standard: 514A
- UL Listed: E-18095
- CSA Standard: C22.2 No. 18
- CSA Certified: 009795
- Fed Spec: A-A-50563
- NEMA: FB-1, FB-2.10

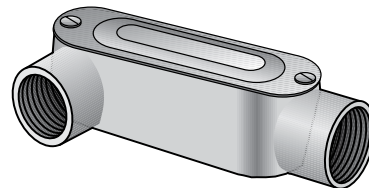
## Illustrated Features



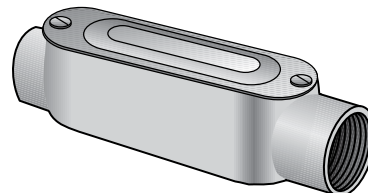
Type T-CG



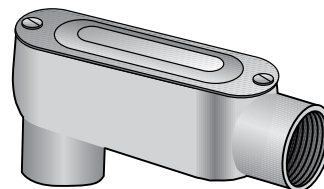
Type LL-CG



Type LR-CG



Type C-CG

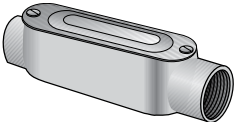
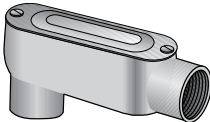
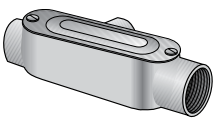


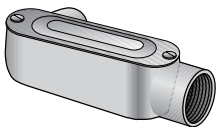
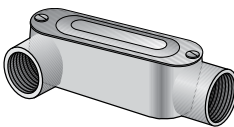
Type LB-CG

# Spec 5 Conduit Bodies, Covers and Gaskets

For Rigid Conduit and IMC

NEC/CEC — Suitable for use in the following  
Hazardous Locations:  
Class I, Division 2 per NEC 501.10(B)(4)

Trade Size (Inches)	C-CG		LB-CG		T-CG	
	Max. Wire Fill	Catalog Number	Max. Wire Fill	Catalog Number	Max. Wire Fill	Catalog Number
						
1/2	①	<b>C-50CG</b>	①	<b>LB-50CG</b>	①	<b>T-50CG</b>
3/4	(3) # 6AWG	<b>C-75CG</b>	(3) # 6AWG	<b>LB-75CG</b>	(3) # 6AWG	<b>T-75CG</b>
1	(3) # 4AWG	<b>C-100CG</b>	(3) # 4AWG	<b>LB-100CG</b>	(3) # 4AWG	<b>T-100CG</b>
1-1/4	(3) # 2AWG	<b>C-125CG</b>	(3) # 2AWG	<b>LB-125CG</b>	(3) # 2AWG	<b>T-125CG</b>
1-1/2	(3) # 1/0AWG	<b>C-150CG</b>	(3) # 1/0AWG	<b>LB-150CG</b>	(3) # 1AWG	<b>T-150CG</b>
2	(3) # 4/0AWG	<b>C-200CG</b>	(3) # 4/0AWG	<b>LB-200CG</b>	(3) # 2/0AWG	<b>T-200CG</b>

Trade Size (Inches)	LL-CG		LR-CG	
	Max. Wire Fill	Catalog Number	Max. Wire Fill	Catalog Number
				
1/2	①	<b>LL-50CG</b>	①	<b>LR-50</b>
3/4	(3) # 6AWG	<b>LL-75CG</b>	(3) # 6AWG	<b>LR-75</b>
1	(3) # 4AWG	<b>LL-100CG</b>	(3) # 4AWG	<b>LR-100</b>
1-1/4	(3) # 2AWG	<b>LL-125CG</b>	(3) # 2AWG	<b>LR-125</b>
1-1/2	(3) # 1/0AWG	<b>LL-150CG</b>	(3) # 1/0AWG	<b>LR-150</b>
2	(3) # 4/0AWG	<b>LL-200CG</b>	(3) # 4/0AWG	<b>LR-200</b>

① All 1/2" Max Wire Fill Calculations per the NEC - Annex C - Table C8.

# Spec 5 Conduit Bodies, Covers and Gaskets

For Rigid Conduit and IMC

NEC/CEC — Suitable for use in the following  
 Hazardous Locations:  
 Class I, Division 2 per NEC 501.10(B)(4)

## Wiring Capacity: Combine Body and Cover Capacities for Total Usable Capacity per NEC 314.16(A)

Hub Size (Inches)	Capacity dm <sup>3</sup> (in <sup>3</sup> )									Stamped Cover	Cast Cover
	C	E	LB	LL & LR	LRL	T	TA	TB	X		
1/2	0.07 (4.50)	0.07 (4.50)	0.07 (4.50)	0.07 (4.50)	0.08 (5.00)	0.10 (6.00)	0.07 (4.30)	0.07 (4.30)	0.10 (6.00)	0.01 (0.50)	0.00 (0.00)
3/4	0.12 (7.50)	0.12 (7.50)	0.12 (7.50)	0.12 (7.50)	0.14 (8.80)	0.16 (9.50)	0.11 (7.00)	0.11 (7.00)	0.16 (9.50)	0.01 (0.80)	0.00 (0.30)
1	0.20 (12.50)	0.20 (12.50)	0.20 (12.50)	0.20 (12.50)	0.23 (14.30)	0.25 (15.00)	0.25 (15.00)	0.21 (13.00)	0.25 (15.00)	25.4 (1.00)	0.01 (0.50)
1-1/4	0.57 (35.00)	0.48 (29.30)	0.53 (32.30)	0.52 (32.00)	0.57 (34.80)	0.54 (33.00)	—	0.57 (35.00)	0.52 (31.50)	0.04 (2.50)	0.01 (0.80)
1-1/2	0.58 (35.30)	0.53 (32.50)	0.58 (35.30)	0.58 (35.30)	0.66 (40.00)	0.59 (36.00)	—	0.58 (35.30)	0.66 (40.00)	0.04 (2.50)	0.01 (0.80)
2	1.23 (75.00)	—	1.20 (73.00)	1.20 (73.00)	1.39 (85.00)	1.16 (71.00)	—	1.16 (71.00)	1.16 (71.00)	0.11 (6.50)	0.02 (1.00)
2-1/2	2.34 (143.00)	—	2.28 (139.00)	2.30 (140.50)	—	2.39 (146.00)	—	—	—	0.29 (18.00)	0.49 (30.00)
3	2.95 (180.00)	—	2.90 (177.00)	2.87 (175.00)	—	3.03 (185.00)	—	—	—	0.29 (18.00)	0.49 (30.00)
3-1/2	4.97 (303.00)	—	4.92 (300.00)	4.92 (300.00)	—	5.15 (314.00)	—	—	—	—	0.82 (50.00)
4	5.57 (340.00)	—	5.41 (330.00)	5.41 (330.00)	—	5.65 (345.00)	—	—	—	—	0.82 (50.00)
5	—	—	12.39 (756.00)	—	—	—	—	—	—	—	—
6	—	—	21.76 (1328.00)	—	—	—	—	—	—	—	—

OZGEDNEY

COMMERCIAL AND INDUSTRIAL FITTINGS: CONDUIT BODIES