



The Woodford Model 27 drains as handle is shut off even if hose is attached. This faucet is designed for residential outside water service applications and intended for irrigation purposes.

**SPECIFICATIONS:**  
**MODEL 50HA BACKFLOW PREVENTER -**  
*Patent Pending*

- ASSE 1052 Approved
- Listed by IAPMO
- Field Testable
- Two Independent Check Valves
- Drains automatically when hose is removed
- No spray back



**FEATURES:**

**EXTERIOR FINISH** - Brass

**VALVE** - Molded nitrile suitable for hot water.

**NOZZLE** - 3/4" male hose thread.

**NO LEAD SOLDER** - All solder joints.

**PLUNGER** - Hemispherical cushion type.

**STEM SCREW** - DELRIN®

**HEAD NUT** - Brass

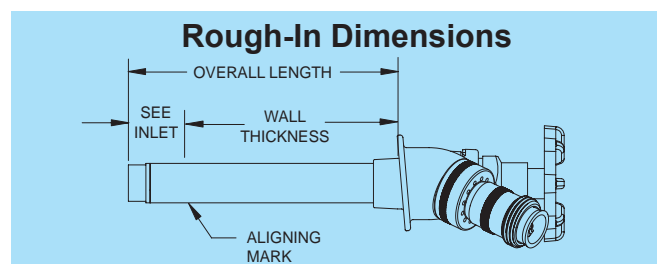
**HANDLE** - Metal. (Optional Tee Key)

**INLETS** - As shown.

**MAX PRESSURE** - 125 p.s.i.

**MAX TEMPERATURE** - 120° F

**NOTICE** - To close and drain, turn handle clockwise until seated and water drains out of the drain hole or faucet may freeze and burst. Backflow Preventer replacement is recommended every 3-5 years.



Wall Thickness (inches)										
4	6	8	10	12	14	16	18	20	22	24
2.2	2.3	2.4	2.5	2.6	2.7	2.9	3.1	3.3	3.5	3.7
Shipping Wt. (lbs)										

*Approx. Shipping Weight Each*

\*Overall Length Dimension: Add wall thickness and inlet option length shown in chart above.

**Patent informaion available at :**  
<http://www.woodfordmfg.com/Woodford/patents/>  
**For Installation/Troubleshooting Instructions go to:**  
[www.woodfordmfg.com](http://www.woodfordmfg.com) or call 1-800-621-6032

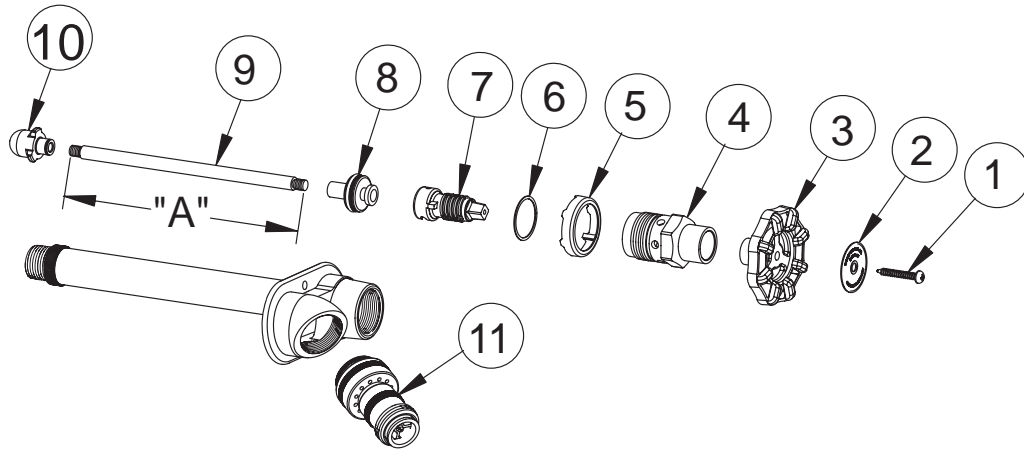
# Backflow Protected Automatic Draining Freezeless Wall Faucet Model 27



## Inlet Descriptions

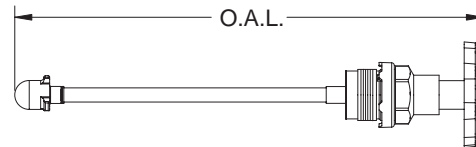
	<p><b>C Inlet</b>            COMBINATION            Copper Sweat Fitting            1/2" K, L or M Inside            3/4" M Only Outside</p>
	<p><b>CP Inlet</b>            COMBINATION            1/2" Male Pipe Thread            1/2" Female Sweat</p>
	<p><b>CP3 Inlet</b>            COMBINATION            3/4" Male Pipe Thread            3/4" Female Sweat</p>
	<p><b>P Inlet</b>            COMBINATION            1/2" Female Pipe Thread            3/4" Male Pipe Thread</p>
	<p><b>PX Inlet</b>            1/2" PEX Tube Fitting</p>
	<p><b>PX3 INLET</b>            3/4" PEX Tube Fitting</p>

**When ordering, specify model , inlet and wall thickness.**



### MODEL 27 PARTS LIST

ITEM	PART#	DESCRIPTION
1	30234	Handle Screw
2	30439	I.D. Ring - Model 27
3	30239	Wheel Handle - Metal
4	30241	Head Nut - Brass
5	30236	Drain Guard
6	30245	Head Nut Gasket
7	30238	Stem Screw
8	35280	Drain Valve Assembly
9	303XX	Operating Rod (See Chart)
10	30230	Plunger Assembly
11	50HA-BR	Backflow Preventer
	RK-25	Repair Kit (Includes items 1, 3-8 & 10)



### OPERATING ROD ASSEMBLY INCLUDES ITEMS 1 THRU 10

Wall Thickness	Overall Length	Part No.
4	8"	35504
6	10"	35506
8	12"	35508
10	14"	35510
12	16"	35512
14	18"	35514
16	20"	35516
18	22"	35518
20	24"	35520
22	26"	35522
24	28"	35524

### OPERATING ROD DIM "A"

Wall Thickness	Length	Part No.
4	4-7/16"	30304
6	6-7/16"	30306
8	8-7/16"	30308
10	10-7/16"	30310
12	12-7/16"	30312
14	14-7/16"	30314
16	16-7/16"	30316
18	18-7/16"	30318
20	20-7/16"	30320
22	22-7/16"	30322
24	24-7/16"	30324



For more information contact...

## WOODFORD MANUFACTURING COMPANY, LLC.

2121 Waynoka Road, Colorado Springs, Colorado 80915 • Phone: (800) 621-6032 • Fax: (800) 765-4115  
To view our complete product line visit: [www.woodfordmfg.com](http://www.woodfordmfg.com) or email: [sales@woodfordmfg.com](mailto:sales@woodfordmfg.com)