

Product Specifications

Electrical Specifications

250VAC - 10A~60A
150VDC - 10A~60A

Standards

10A~60A - UL Listed to Standard 248-12, Class R Fuses. File E523284



Interrupting Rating

200kA @ 250VAC
50kA @ 150VDC

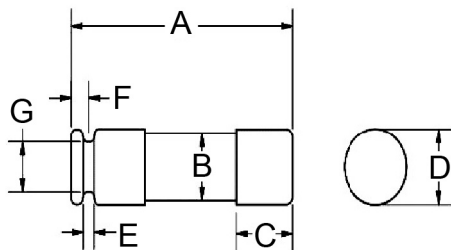
Features

Dual Element Time Delay - 10 seconds minimum @ 500% rated current (8 seconds for 30A or less)
Current Limiting
Class RK5 Fuse
Rejection Feature

Part Numbers Information

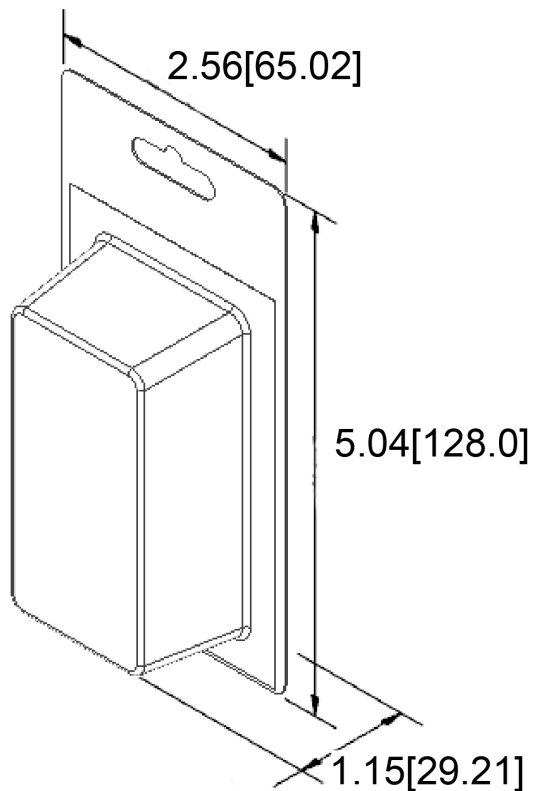
Optifuse P/N	Voltage Rating	Current Rating
TRK5-NR-10A	250VAC / 150VDC	10A
TRK5-NR-12A	250VAC / 150VDC	12A
TRK5-NR-15A	250VAC / 150VDC	15A
TRK5-NR-20A	250VAC / 150VDC	20A
TRK5-NR-25A	250VAC / 150VDC	25A
TRK5-NR-30A	250VAC / 150VDC	30A
TRK5-NR-35A	250VAC / 150VDC	35A
TRK5-NR-40A	250VAC / 150VDC	40A
TRK5-NR-45A	250VAC / 150VDC	45A
TRK5-NR-50A	250VAC / 150VDC	50A
TRK5-NR-60A	250VAC / 150VDC	60A

Mechanical Dimensions: Inches [mm]



Rated Current	A	B	C	D	E	F	G
	±1mm	±1mm	±0.5mm	±0.5mm	±0.5mm	±0.5mm	±0.5mm
10-30A	50.8	12.6	12.8	14.3	1.78	3.96	9.60
35-60A	76.2	18.6	16.0	20.6	2.18	4.78	16.2

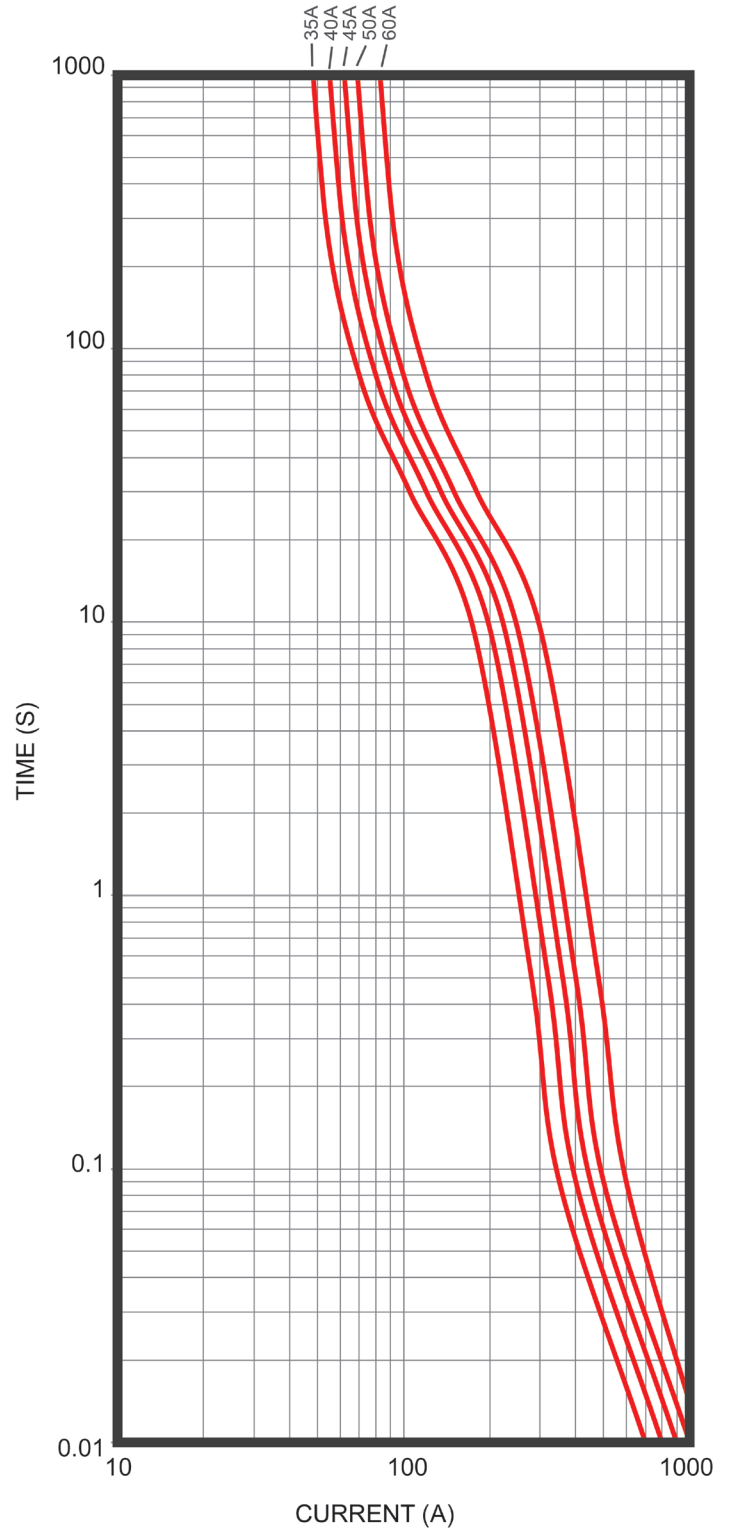
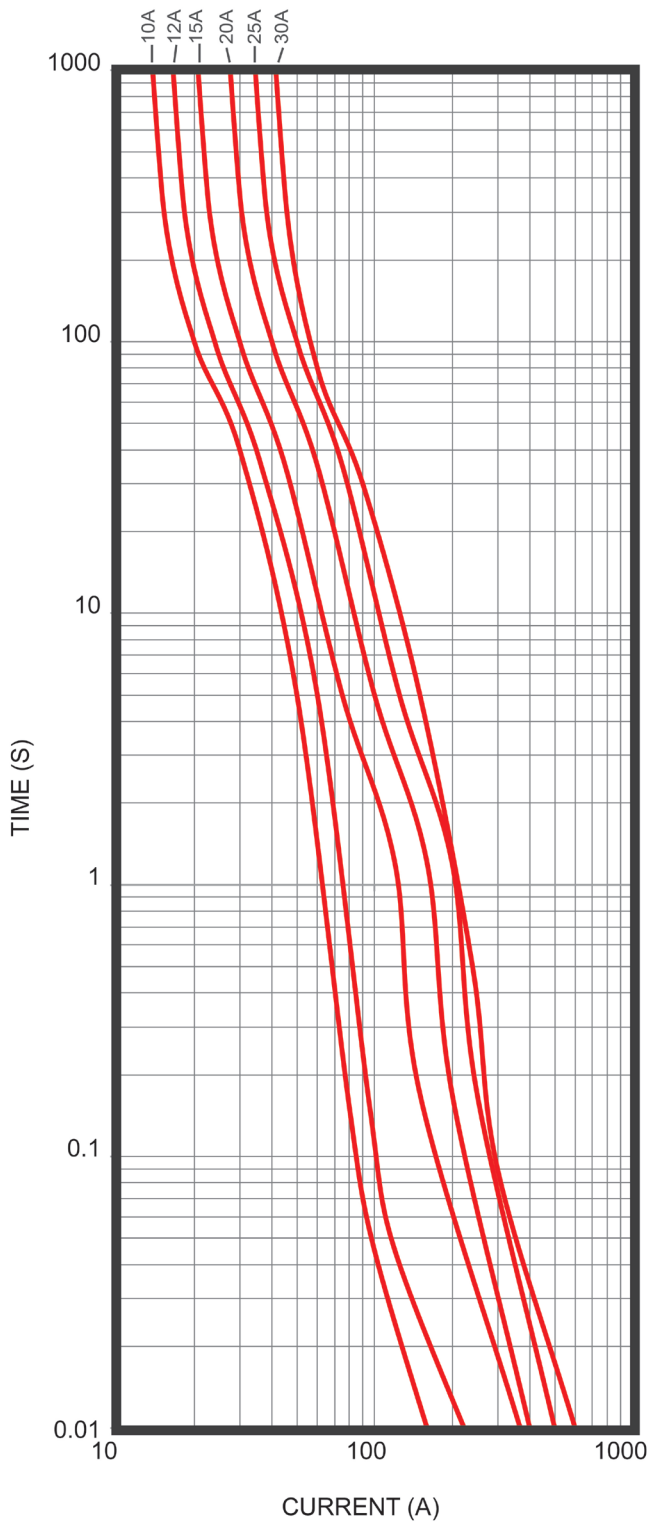
Retail Pack: Inches [mm]



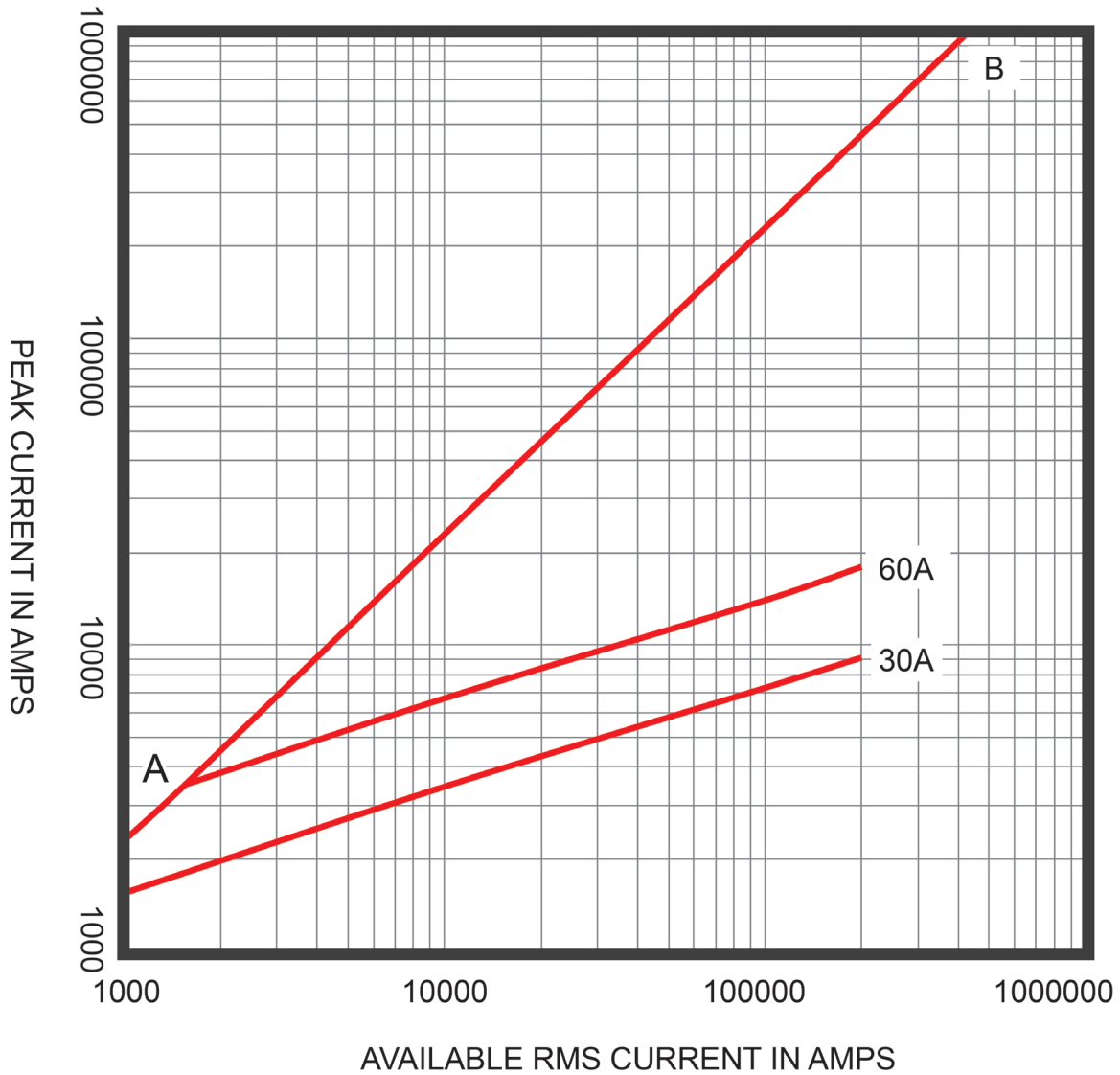
Retail Pack Part Number Information

Amperage	Retail Pack # Blister Card (2PCS)
10A	TRK5-NR-10A-BP
12A	TRK5-NR-12A-BP
15A	TRK5-NR-15A-BP
20A	TRK5-NR-20A-BP
25A	TRK5-NR-25A-BP
30A	TRK5-NR-30A-BP
35A	TRK5-NR-35A-BP
40A	TRK5-NR-40A-BP
45A	TRK5-NR-45A-BP
50A	TRK5-NR-50A-BP
60A	TRK5-NR-60A-BP

Average Time-Current Curve



Peak Let-Thru Curve



Rev	Date of issue	Revision Notes	Designed	Approved
E	10-15-2025	Updated Retail Pack	RC	OF