



WORLDWIDE ELECTRIC MOTOR DATA SHEET



ODP25-18-284T

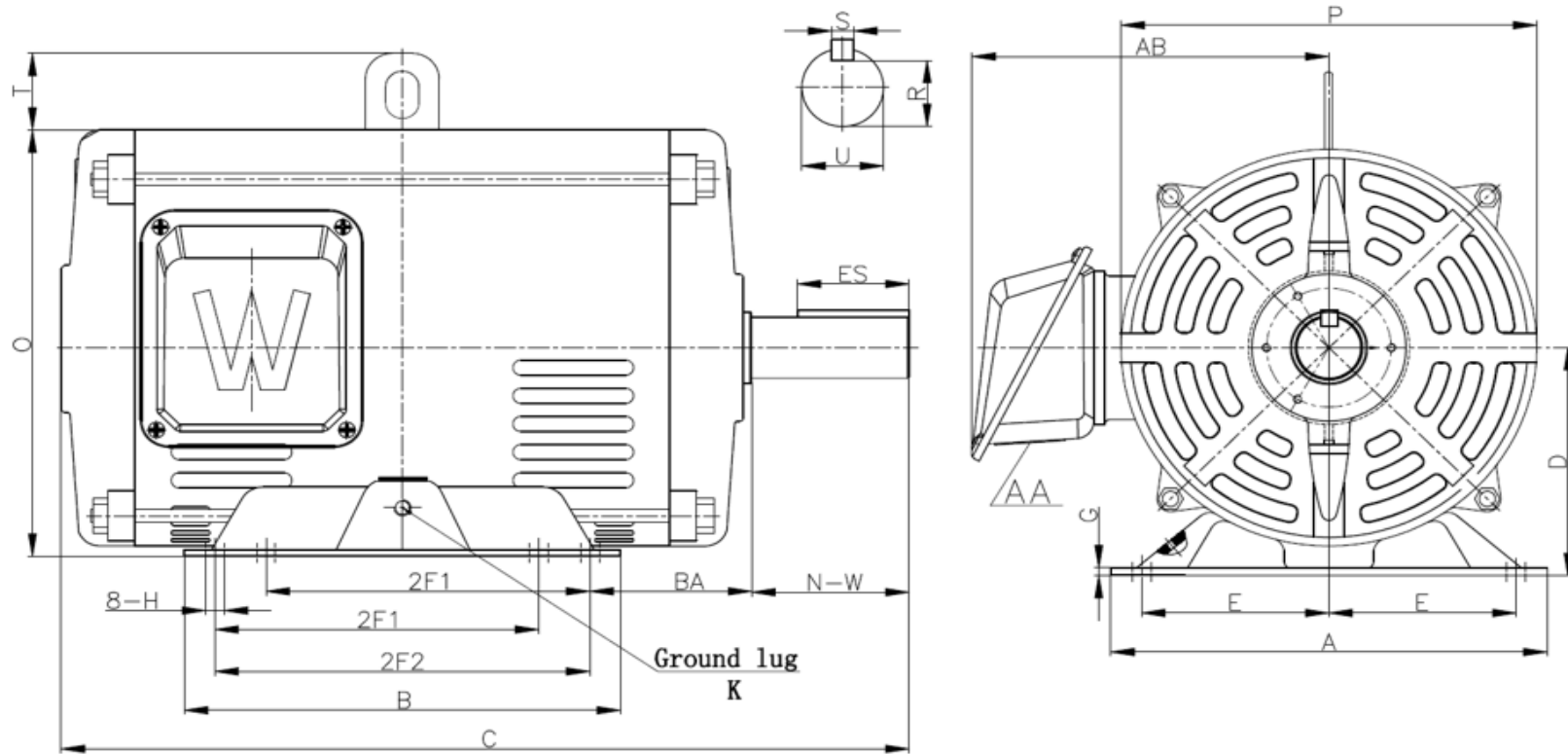
HORSEPOWER	25		
RPM / POLES	1800 / 4		
VOLTAGE / PHASE	208 - 230 / 460 V / 3		
FRAME	284T		
ENCLOSURE / DEGREE OF PROTECTION	ODP / IP23		
FREQUENCY	60 HZ Suitable For 50 HZ Operation With 1.0 SF		
FULL LOAD SPEED	1775 RPM		
SERVICE FACTOR	1.15 SF 60HZ / 1.0 SF at 50HZ		
INSULATION CLASS	F		
FULL LOAD AMPS; 230 / 460	60.0 / 30.0 A		
LOCKED ROTOR AMPS (STARTING); 230 / 460	380 / 190 A		
NO LOAD CURRENT	24.6 / 12.3 A		
NEMA CODE LETTER	G		
EFFICIENCY / POWER FACTOR	<u>LOAD</u>	<u>EFF.</u>	<u>P.F.</u>
	100%	93.6%	0.82
	75%	94.1%	0.78
	50%	93.5%	0.68
DUTY CYCLE	S1 / Continuous		
TORQUE	<u>FULL LOAD</u>	<u>LRT</u>	<u>BDT</u>
	73.2 lb.ft.	243%	255%
SLIP	1.35%		
NEMA DESIGN	B		
NUMBER OF STARTS (Hot / Cold)	2 Hot / 3 Cold		
MAX. AMBIENT TEMPERATURE	40° C		
MAX. ELEVATION	3300 Ft. Above Sea Level		
TEMPERATURE RISE (At Full Load)	80° C		
DE BEARING	6311Z		
ODE BEARING	6310Z		
GREASE TYPE	NS7 ENS		
MOUNTING	F1		
ROTATION	Bi-Directional		
APPROXIMATE WEIGHT	300 lbs.		
AREA CLASSIFICATION	Non-Hazardous		
INVERTER RATING	10:1 CT / 20:1 VT PWM Type		
SPECIFICATION - In Accordance With	NEMA, UR		





WORLDWIDE ELECTRIC MOTOR DRAWING

ODP-284T



ALL DIMENSIONS IN INCHES

MOUNTING					A	B	C	D	G	K
E	2F1	2F2	H	BA						
5.5	9.5	11	0.53	4.75	12.8	12.8	25	7	0.24	M6

KEYSET	KEY				N-W	P	AB	AA	O	T
	R	ES	S	U						
1.5909	3.28	0.5	1.875	4.62	12.2	11.1	2	13.1	2.36	