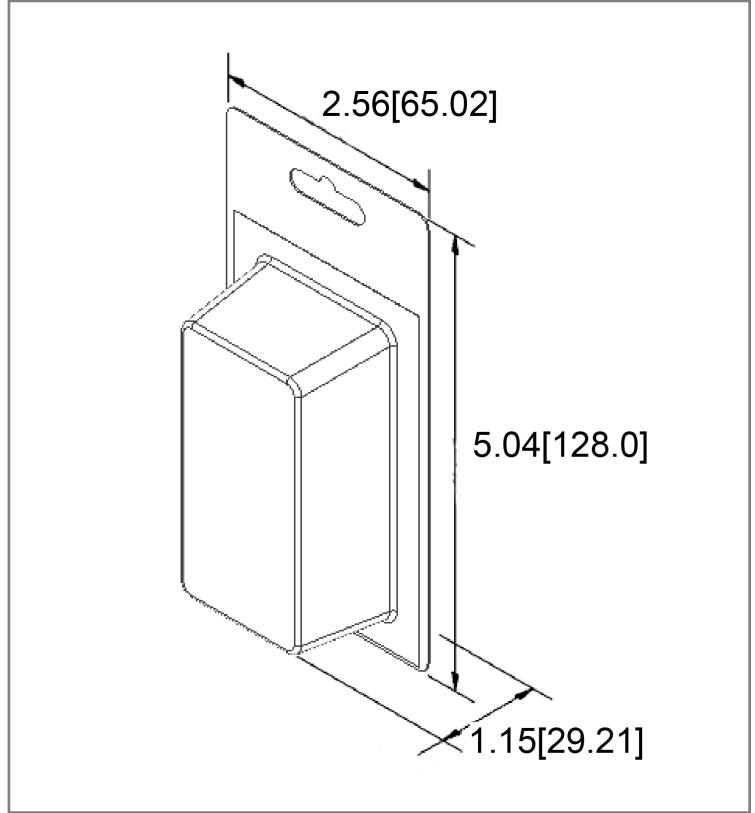
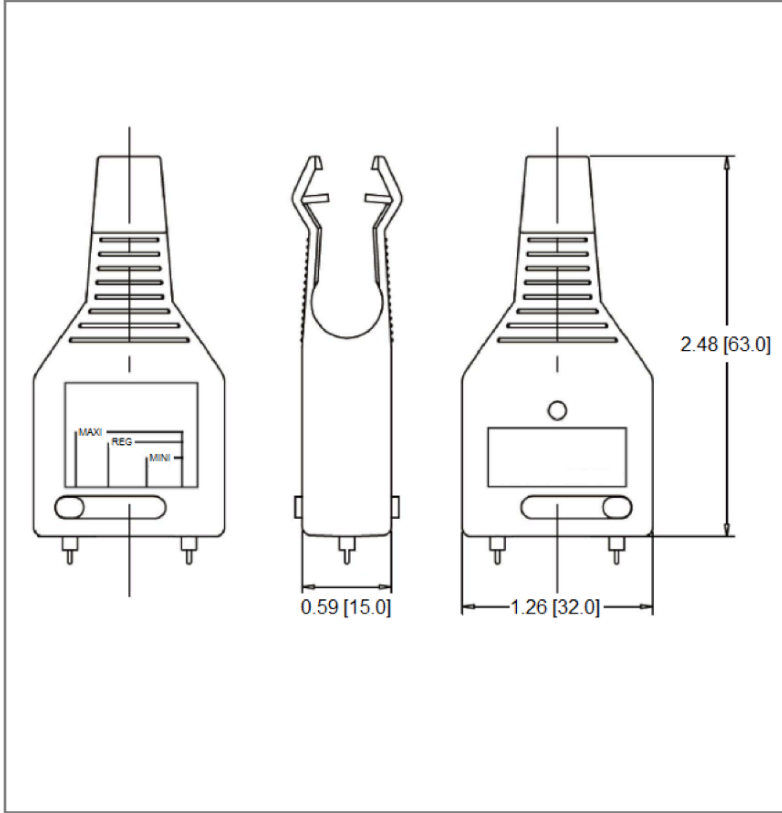


Mechanical Dimensions: Inches [mm]

Retail Pack: Inches [mm]



Part Numbers Information

Bulk Part #	Retail Pack #	Pack Size
PUL-08	PUL-08-BP	1

Specifications

Body Material	Plastic
Probe Material	Copper, Tin Plated
LED indication when fuse is good	
Sliding probe allows for pulling different size fuses	
For use with ANR and APR Regular (ATO/ATC Style) Blade Fuses	

For use with APR and ANR Regular (ATO/ATC Style) Blade Fuses
For use with ANM and APM (Miniature) Blade Fuses
For Use With ANS and APS (Low Profile, Miniature) Blade Fuses
For use with ANX and APX Large, Maxi Style Blade Fuse

Rev **Date of issue** **Revision Notes**

Designed **Approved**

B	10-15-2025	Updated Retail Pack	RC	OF
---	------------	---------------------	----	----