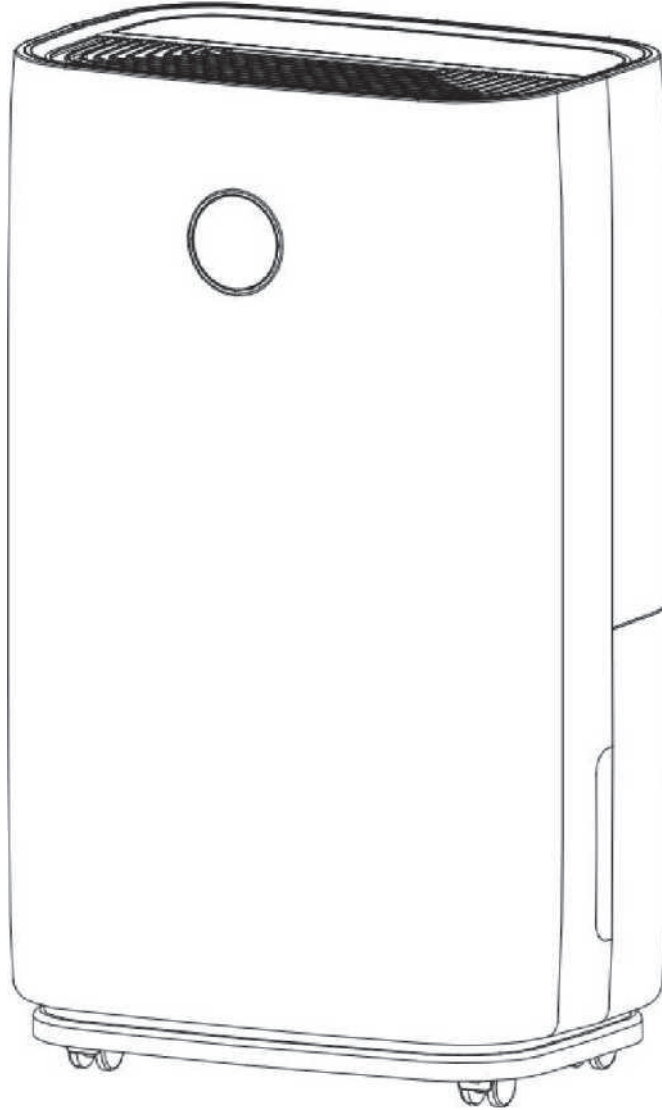


<b>物料编码</b>	108070200251068
<b>版次</b>	<b>v1</b>

**此页不要印刷， 只作说明**

# **INSTRUCTION MANUAL**



**OL20-D025C**

**Please keep this manual carefully for further reference!**

Thank you for selecting our dehumidifier. Be sure to read this manual carefully before using it.

# CONTENT

1. CAUTIONS.....	01
2. PARAMETERS.....	02
3. FEATURES.....	03
4. PRODUCT DISCRIPTION.....	04
5. OPERATION.....	05
6. MAINTENANCE.....	09
7. TROUBLE SHOOTING.....	13

## CAUTIONS



**Please read the operating instructions carefully before using your dehumidifier for the first time.**

1. Install the unit on flat and hard floor to diminish vibration or noise.
2. Never immerse the unit in water or other liquids.
3. Never operate the unit if the cable or other connector is damaged, or something abnormal may happen, please call customer service for help.
4. Disconnect the unit from power supply when it is not in use, or before relocating or cleaning it.
5. Operate the unit only at the voltage specified.
6. The unit is for indoor use only. Don't use it for other purpose.
7. Do not put heavy objects on the appliance.
8. Do not tip the unit to any side as spilled water may damage the appliance.
9. Never insert any other object into the unit body to avoid any hazard or unit failure.
10. Do not put the unit close to heat-generating devices or near flammable and dangerous materials.
11. This appliance is not intended for use by persons (including children) with reduced physical, sensory or lack of experience and knowledge, unless they have been given supervision or instruction concerning use of the appliance by a person responsible for their safety. Children should be supervised to ensure that they do not play with the appliance.
12. If the supply cord is damaged, it must be replaced by the manufacturer or its service agent or a similarly qualified person in order to avoid a hazard.
13. The appliance must be positioned so that the plug is accessible.
14. The appliance shall be installed in accordance with national wiring regulations.
15. The ambient temperature range for the appliance is 41°F-95°F.



### **Get Support:**

**The HUMILABS Dehumidifier is covered with 30-Days Return and 360-Days Repair from the date that you purchased. Any questions, please feel free to contact us by our after-sale email : humilabs@outlook.com , we will reply to you within 24 hours and help you solve any problem.**

**If you are happy with this purchase,By writing a product comment,would you please help us leave 5★★★★★ and share your experience? Your satisfaction is our success!Thank you very much.**

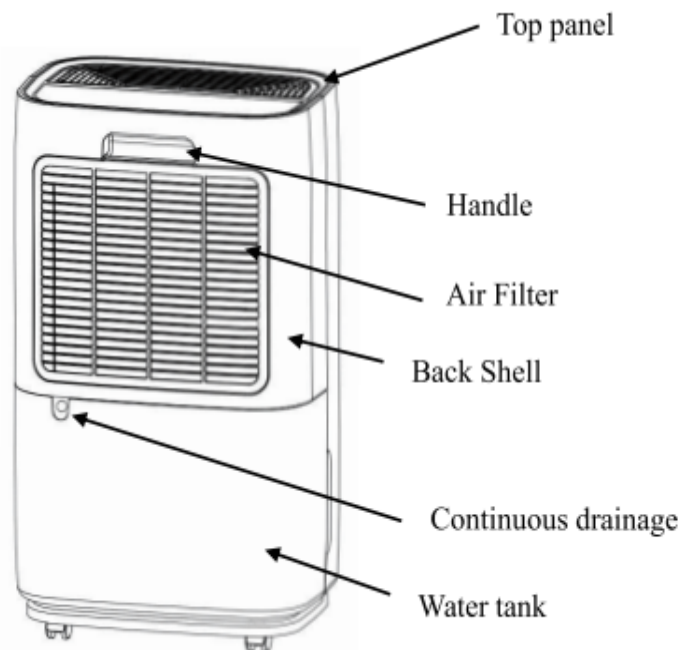
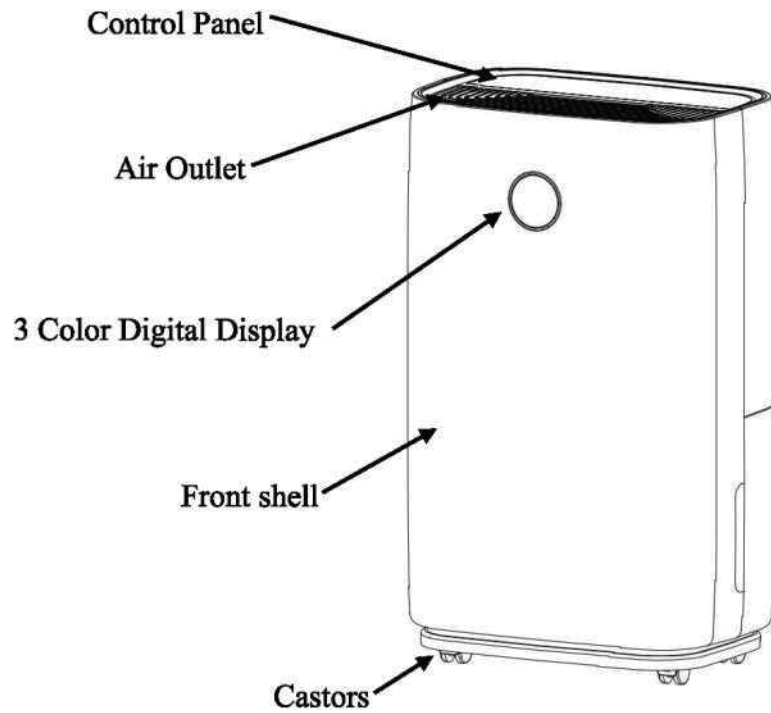
## PARAMETERS

Model	OL20D-D25C
Power Supply	115V~60Hz
Dehumidification Capacity	50Pints/D(95°F/90%RH) 45Pints/D(86°F/80%RH) 15Pints/D(65°F/60%RH))
Rated Input Current	2.7A (86°F/80%RH)
Refrigerant/Charge	R134A/4.94oz
Low Side Pressure	88psi
High Side Pressure	204psi
BCSC	15A
Compressor Input	RLA:2.2A/LRA:13A
Fan Motor Power	0.048HP

## **FEATURES**

- Powerful moisture removal (up to 50Pints/day dehumidification)
- Humidity Monitor shows current air humidity
- Auto mode automatically adjusts humidity levels
- A 24-hour timer to set the time of operation
- Effectively removes moisture, dust from the air
- Low power consumption-energy efficient
- Quiet fan has two speed settings
- Auto-Defrost at low temperature
- Auto shut-off/ auto restart
- Electronic control
- Laundry drying function
- Continuous drainage or 135oz water tank

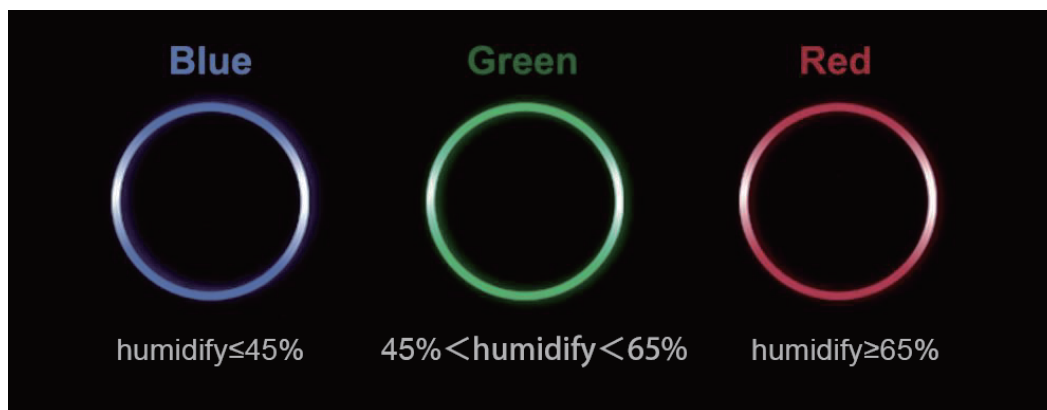
# PRODUCT DISCRIPTION



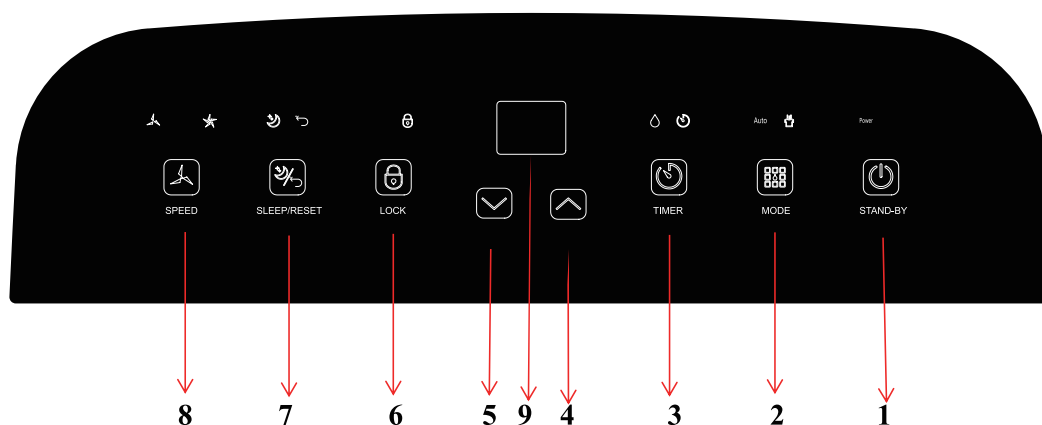
- The dehumidifier starts up in the mode selected when the unit was last used.
- The dehumidifier starts dehumidifying if the room humidity is 3% higher than the selected humidity.
- There is a protective 3-minutes time delay of the compressor. Wait 3 minutes for the dehumidifier to resume dehumidification.

## OPERATION

### DIGITAL DISPLAY



### CONTROL PANEL



1.	<b>STAND-BY</b>	<b>Press to switch the appliance on or off.</b>
2.	<b>Mode Button</b>	<b>Press to choose the Dehumidifying and Drying clothes mode.</b>
3.	<b>Timer button</b>	<b>Set a time for the appliance to automatically start or stop operation.</b>
4.	^	<b>Increase the desired humidity or the set time</b>
5.	v	<b>Decrease the desired humidity or the set time</b>
6.	<b>Lock button</b>	<b>Long press for 3 seconds to turn the child lock function on or off.</b>
7.	<b>Sleep/Reset</b>	<b>Press this button to turn on or off the sleep mode</b>
8.	<b>Speed button</b>	<b>Press to select the fan speed between high and low.</b>
9.	<b>Digital Display</b>	<b>Displays the humidity value and timer's setting</b>

## SETTINGS



### **STAND-BY**

In the standby state, press this button to turn on the appliance with the default humidity being 50%. In the power-on state, press this button to turn off the appliance, accompanied by the indicator extinguishing and the compressor stopping operation immediately, and the fan shutting down after a 30-second delay.



### **Mode button**

Press this button to switch between Dehumidifying and Drying clothes mode.

Dehumidifying mode: adjustable humidity and fan speed.

Drying clothes mode: press the power button to turn on the appliance, whose operation indicator lights up with a default high fan speed. In this mode, the compressor will continue to work without being affected by the ambient humidity, and the fan speed isn't adjustable.



### **Speed**

High wind - low wind cycle: press this button to switch between the speeds, with the corresponding indicator lighting up. The wind speed cannot be changed in Drying clothes mode and sleep mode, and during the defrosting period.

## **Add**

Press this button to set humidity level and timer's time;

To adjust humidity, press this button once to add 5% humidity value. The humidity adjustment follows the following cycle: 30% - 35% - 40% - 45% - 50% - 55% - 60% - 65% - 70% - 75% - 80% - 30%

To adjust time, press this button once to add 1-hour timing value. The time adjustment follows the following cycle:

00-01-02-03-04-05-06-07-08-09-10-11-12-13-14-15-16-17-18-19-20-21-22-23-24-00

## **MINUS**

Decrease the desired humidity level or the set time.



### **Timer button**

Press this button to set time within the range of 0-24 hours. Each press of this button increases the time value by 1 hour, with its current number displayed on the screen. Set the time to "00" to exit the timer function, and the indicator light will extinguish accordingly. After the time is set, the timer LED is on during the timing period, and turns off automatically after the period is over.

In the running state: set the time to turn off the appliance.

In the standby state: set the time to turn on the appliance.



### **Child lock**

Long press of this button for 3 seconds to turn on or off the child-lock function.



### **Sleep /Reset mode**

Sleep mode: Press this button to enter the mode and light the corresponding indicator. The wind speed is low and the humidity is adjustable.

Reset

Please press and hold the Sleep / Reset button for 3 seconds to reset the air filter. When the unit has been operating for 600 hours, the air filter indicator  will light up to remind you to clean the air filter.

## **Water Tank Full Alarm**

### **Water Tank Indicator**

- When the tank is full for 5 seconds,it sets the alarm. The water tank indicator turns red and the unit buzzes for 5 times.

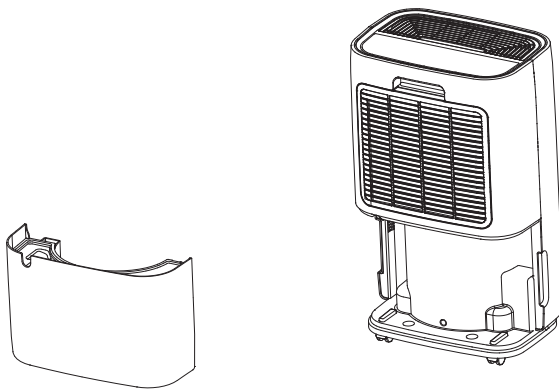
### **Clear the alarm**

- When the buzz is on, press any button to stop it. The compressor,fan shut down and all the functions freeze until the tank is emptied and back in right position.

### **Empty the tank**

- Grab the notch at the bottom of the tank and pull it out with both hands.

Take it slowly and steadily in case of spilled water.



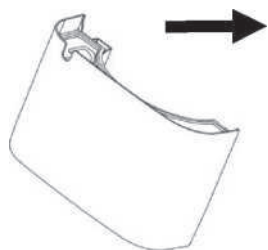
- Empty the water.

- Put the water tank back in position. The dehumidifier automatically starts working again.

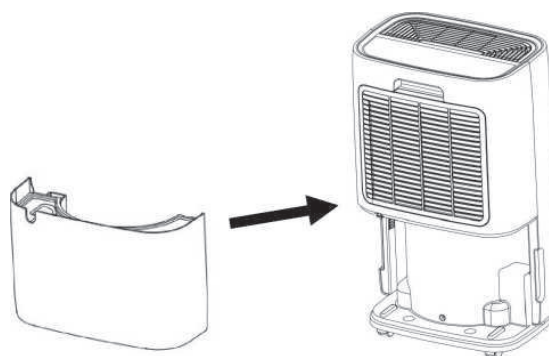
# MAINTENANCE

## PRECAUTIONS

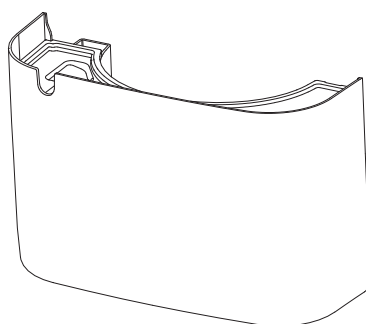
- 1 Do not remove the float out of the tank otherwise the dehumidifier can not start up.



- 2 Ensure the water tank is in right position when putting it back, otherwise the dehumidifier can not start up.



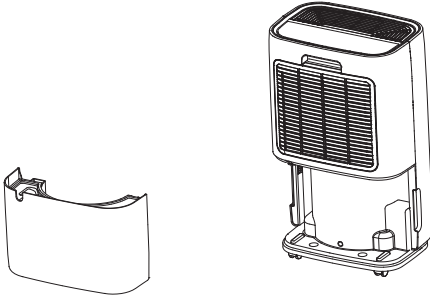
- 3 If the tank is dirty, wash it with cool/warm water. Do not use cleanser, steel balls, chemically treated dust-proof cloth, gasoline, benzene, thinners or other chemical solvents in case of damage and leakage.



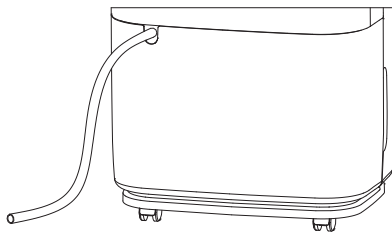
4

## Continuous Drainage

- Take out the water tank



- Use a water hose(diameter=0.03ft ) to connect the water outlet.
- Passes the water hose through the cutting hole in the tank and put the tank back.



For continuous drainage, the end of the hose should not be

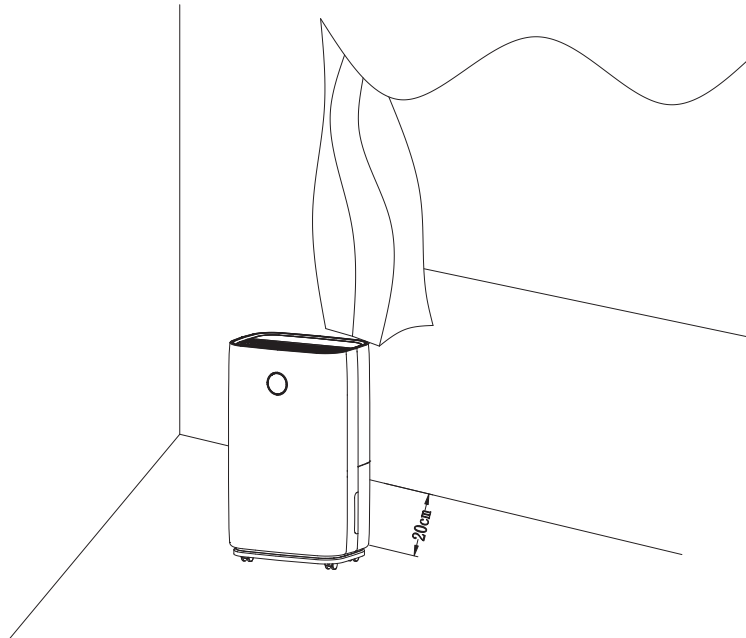
5

submerged in water to prevent it from being blocked or damaged.

## Spacing

When the dehumidifier is in operation, make sure that the rear of

the dehumidifier maintains a minimum spacing of 30 cm as shown below.



## **CLEANING**

### ●Body Cleaning

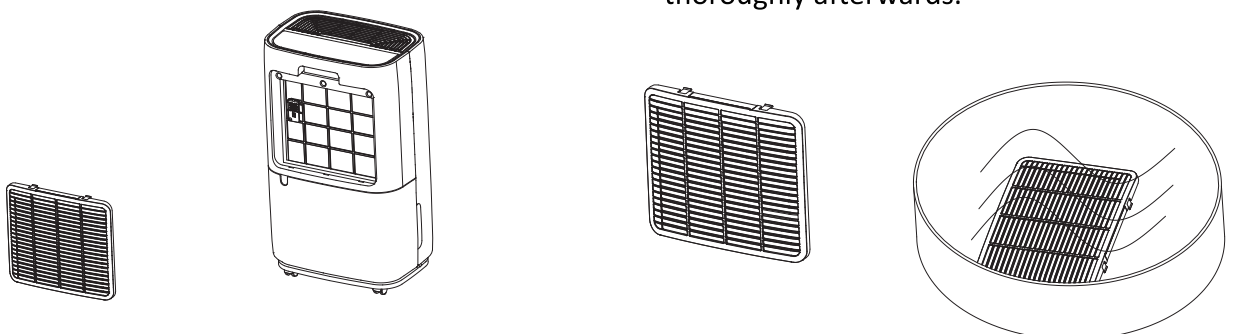
Use a soft and slightly moist cloth to clean the dehumidifier body.

### ●Filter Cleaning

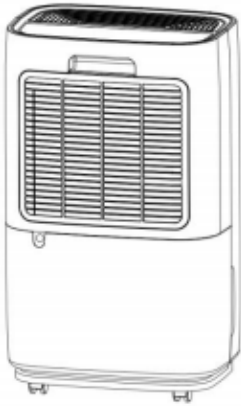
1.Remove the filter frame and take off the filter.

2.Use a vacuum cleaner to gently absorb the dust on the surface.

If the filter is very dirty, wash it with water and a soft detergent and dry it thoroughly afterwards.



3.Put the filter back.



## **STORAGE**

When not using the product for a long time and intend to store it, please pay attention to the following steps:

- 1.Empty the water in the water tank and wipe the water droplets on bottom of inside machine.
- 2.Collect the power cord and store it in the dry water tank.
- 3.Clean the filter.
- 4.Place the machine in a cool and dry environment.

# TROUBLE SHOOTING

## 1. FUNCTIONING TEMP.

41 °F ≤ Ambient Temp. ≤ 95 °F When the ambient temp is lower or higher than the functioning temp, the dehumidifier stops.

When 41°F ≤ Ambient temp. ≤60.80 °F, the compressor automatically defrosts at intervals; during defrosting, the compressor stops and the fan keeps running.

## 2. BEFORE CALLING FOR SERVICE

Before contacting professional service, please review the trouble shooting list that includes common occurrences that are not the result of a defect in workmanship or materials.

Problem	Possible Cause	Solution
Not working	No power supply	Connect to a functioning outlet and switch on
	Water Full Indication Flashes	Drain water tank and reset it, or re-position the water tank to right place
	Room temperature <41 °F, or > 95 °F	Self-Protection designed to protect the unit. Can not work under such temperature
Bad functioning	Is the air filter clogged?	Clean the air filter as instructed
	Is the intake duct or discharge duct obstructed?	Remove the obstruction from the discharge duct or intake duct.
No air intake	Is the filter clogged?	Wash the filter
Loud noise when running	Is the machine put in the plat place?	Put the machine on the plat ground
	Is the filter clogged?	Wash the filter
E2	Problem with the humidity sensor	Replace the sensor.
LO	The ambient humidity is less than 20%	The dehumidifier switches off automatically for self-protection
HI	The ambient humidity is over 90%	
CL	Protection at low temperatures,the ambient temperature is < 5°C	
CH	Protection at high temperatures,the ambient temperature is > 35°C	